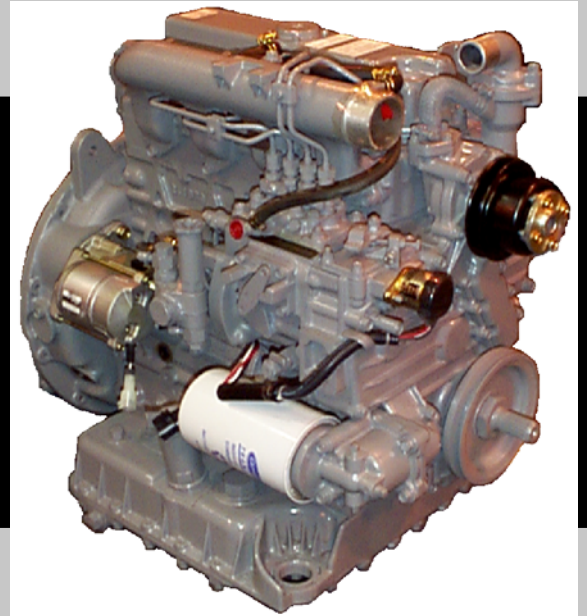
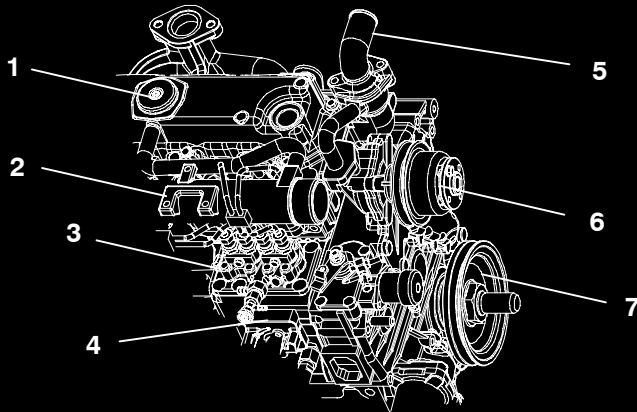




Diesel Engine



SERVICE PARTS LIST
for

V1903-TV (26-00123)

V2203-TV (26-00124)

Beginning With Serial Number 4A0001



TRANSICOLD

SERVICE PARTS LIST

DIESEL ENGINE

V1903-TV (26-00123)

V2203-TV (26-00124)

Beginning With Serial Number 4A0001

TABLE OF CONTENTS

INTRODUCTION	i
REPLACEMENT ENGINE PART NO.	i
ENGINE SERIAL NUMBER MATRIX	i
ORDERING INSTRUCTIONS	i
1. CRANKCASE	1
2. OIL PAN	2
3. CYLINDER HEAD	3
4. GEAR CASE	4
5. VALVE COVER	5
6. OIL FILTER	6
7. DIPSTICK	7
8. OIL PUMP	8
9. BREATHER	9
10. MAIN BEARING CASE	10
11. CAMSHAFT AND IDLE GEAR SHAFT	11
12. PISTON AND CRANKSHAFT	12
13. FLYWHEEL	14
14. FUEL CAMSHAFT	15
15. ENGINE STOP LEVER	16
16. STOP SOLENOID	17
17. INJECTION PUMP	18
18. GOVERNOR	19
19. SPEED CONTROL PLATE	20
20. INJECTORS AND GLOW PLUGS	21
21. FUEL PUMP	22
22. FUEL PUMP ASSEMBLY	23
23. PULLEY	24
24. STARTER	25
25. STARTER ASSEMBLY	26
26. PLUG	28
27. THERMOSTAT	29
28. WATER PUMP	30
29. FAN	31
30. VALVES AND ROCKER ARMS	32
31. INTAKE MANIFOLD	33
32. EXHAUST MANIFOLD	34
33. GASKET SET	35
PART NUMBER INDEX	Index-1

INTRODUCTION

This parts list identifies service replacement parts for the Carrier Transicold models listed in the following Model Chart. The diesel engines are manufactured exclusively for Carrier Transicold transport refrigeration by Kubota.

REPLACEMENT ENGINE PART NO.

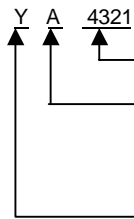
MODEL NO.	ENGINE TYPE	NEW ENGINE PART NO.	PRIMARY USE	REPLACES
V1903-E2B-CTD-1	CT4-114-TV (1700 RPM)	26-00123-00*	EXTRA UNITS	26-00108-00
V2203-E2B-CTD-2	CT4-134-TV (1950 RPM)	26-00124-01*	EARLY ULTRA UNITS	26-00101-02
* Beginning with Serial Number 4A0001				

ENGINE SERIAL NUMBER MATRIX

Old Serial Number:

654321 6 digits all in numerals

New Serial Number:



Lower 4 digits in numerals

5th Digit Alphabetical Letter (Month of Manufacture).

Alphabetical letter	A,B	C,D	E,F	G,H	J,K	L,M	N,P	Q,R	S,T	U,V	W,X	Y,Z
Month	Jan	Feb	Mar	Apr	May	Jun	Jul	Aug	Sep	Oct	Nov	Dec

6th Digit Alphabetical Letter or Numerals (Year of Manufacture).

Alphabetical letter or numerals	W	X	Y	1	2	3	4	5	6	7	8	9
Year	98	99	00	01	02	03	04	05	06	07	08	09

ORDERING INSTRUCTIONS

All orders and inquiries for parts must include:

- Unit Serial Number
- Part No.
- Description of Part
- Quantity Required

Address all correspondence for parts to the following address:

CARRIER TRANSICOLD DIVISION
Replacement Components Group, TR-20
P.O. Box 4805, Syracuse, NY 13221

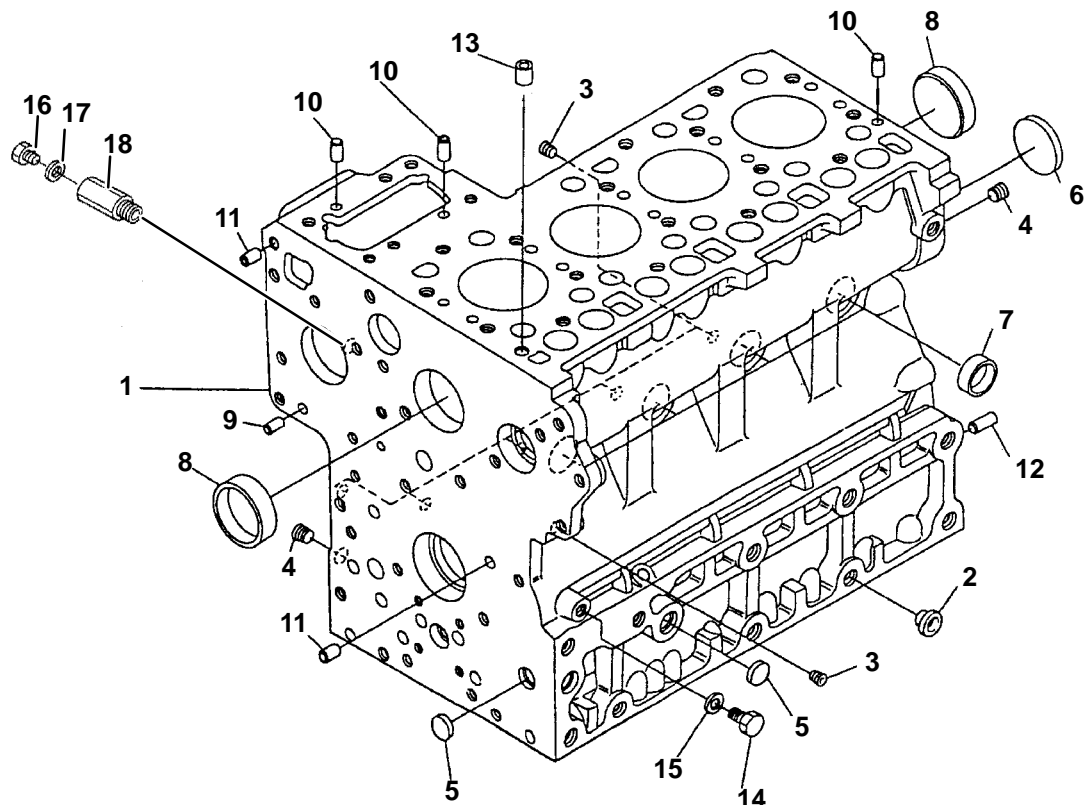
or
Fax to : (315) 432-3778

GENERAL NOTES

To find replacement parts, consult table of contents, and turn to the appropriate page for the illustrated breakdown of replacement parts. The following letter designations are used to classify parts throughout this list:

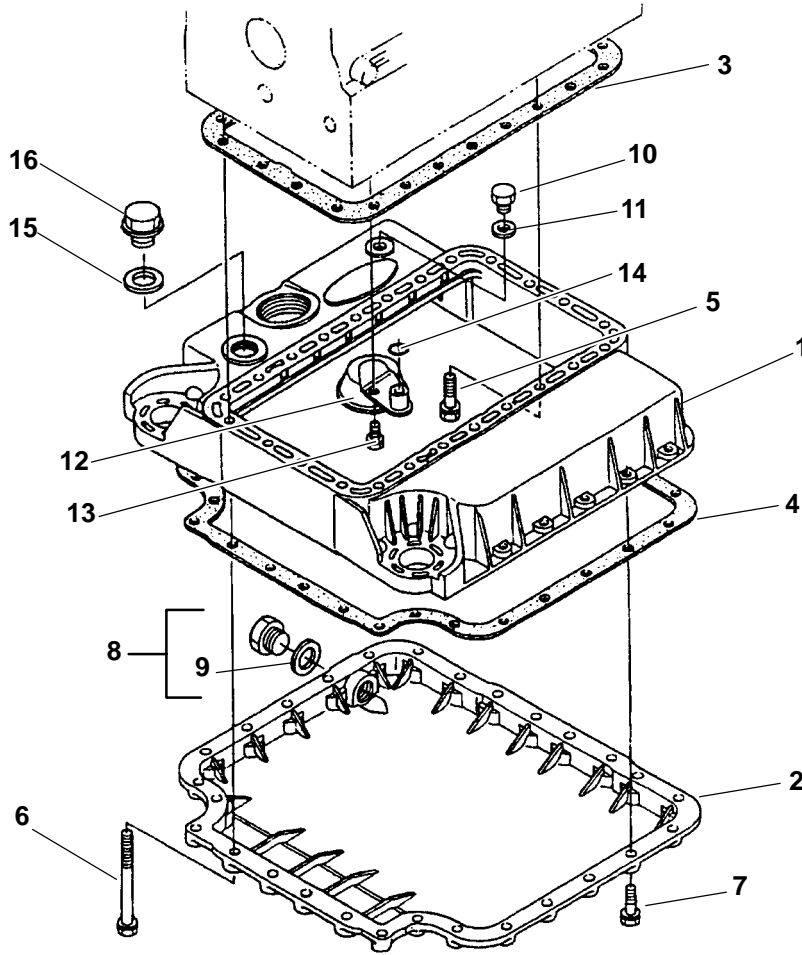
- | | | | |
|-----|--------------------------------|-----|--|
| A/R | As Required | NSS | Not Sold Separately - order next higher assembly or kit. |
| NS | Not Shown in the illustration. | PL | Purchase Locally. |

1. CRANKCASE



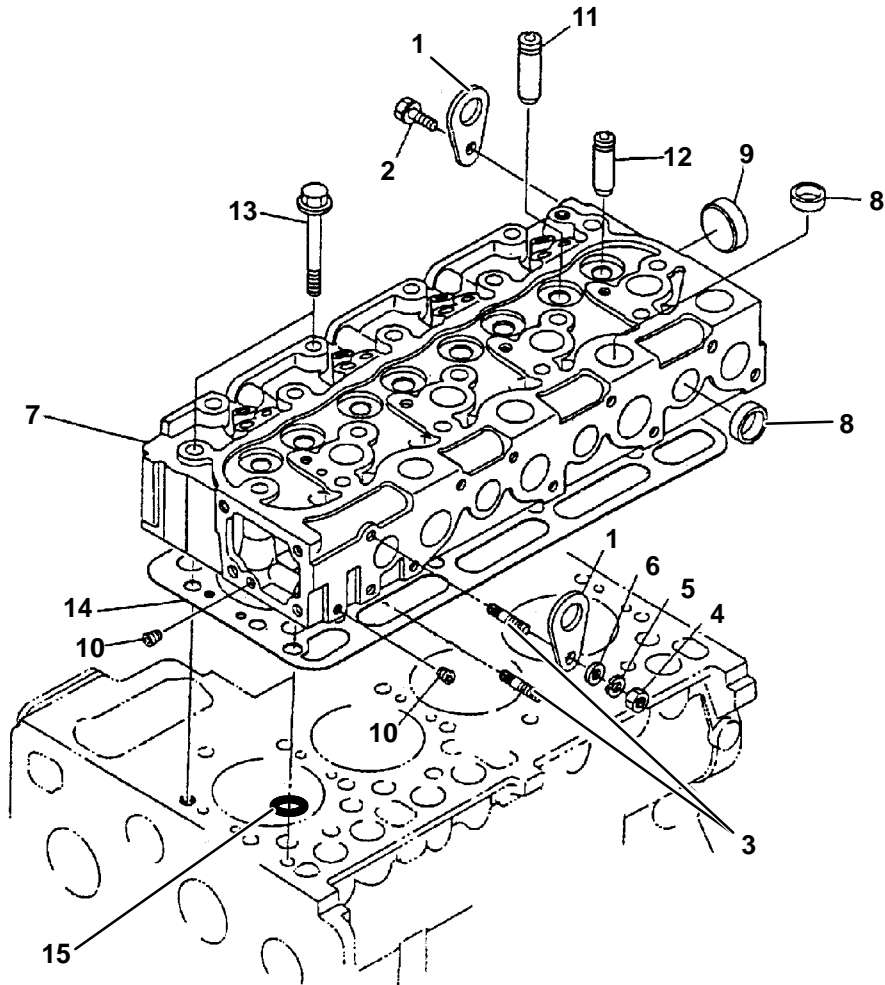
Item	Part Number	Description	Qty
1	25-39345-00	CRANKCASE, ASSEMBLY (CT4-134TV) - INCLUDES:	1
	25-39349-00	CRANKCASE, ASSEMBLY (CT4-114TV) - INCLUDES:	1
2	25-37029-00	PLUG	6
3	25-37026-00	PLUG	5
4	25-37028-00	PLUG	2
5	25-39015-00	CAP, SEALING	3
6	25-15004-00	CAP, SEALING	1
7	25-37032-00	CAP, SEALING	6
8	25-37033-00	CAP, SEALING	2
9	25-37034-00	PIN, STRAIGHT	2
10	25-37035-00	PIN, STRAIGHT	3
11	25-37695-00	PIN, STRAIGHT	2
12	25-37036-00	PIN, STRAIGHT	1
13	25-35031-00	PIN, PIPE	1
14	25-39358-00	PLUG	1
15	25-35136-05	GASKET, COPPER O-RING	1
16	25-39360-00	PLUG	1
17	25-39361-00	GASKET	1
18	25-39362-00	ADAPTER, DRAIN COCK	1

2. OIL PAN



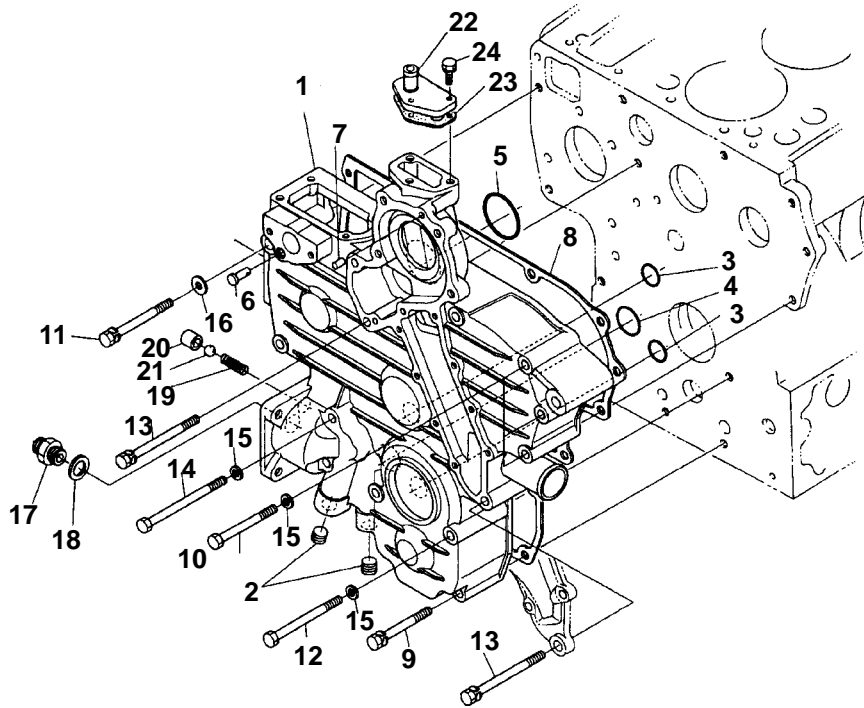
Item	Part Number	Description	Qty
1	25-39292-00	PAN, OIL 2 PC TOP	1
2	25-39026-00	COVER, OIL PAN 2 PC BOTTOM	1
3	25-39027-00	GASKET, OIL PAN	1
4	25-39028-00	GASKET, OIL PAN COVER 2 PC	1
5	25-39030-00	BOLT, METRIC, M10	16
6	25-37077-00	BOLT, M10	8
7	25-39021-00	BOLT	20
8	25-36738-00SV	PLUG & GASKET - INCLUDES:	1
9	25-36739-00	GASKET, COPPER O-RING	1
10	25-39029-00	PLUG	1
11	25-35045-00	GASKET, COPPER O-RING	1
12	25-37079-00	SCREEN FILTER, OIL PUMP PICKUP	1
13	25-37657-00	BOLT, M8 X 16 MM LONG, GRADE 7	1
14	25-39032-00	O-RING, OIL PICKUP TUBE	1
15	25-39276-00	GASKET, COPPER O-RING	1
16	25-39277-00	PLUG	1

3. CYLINDER HEAD



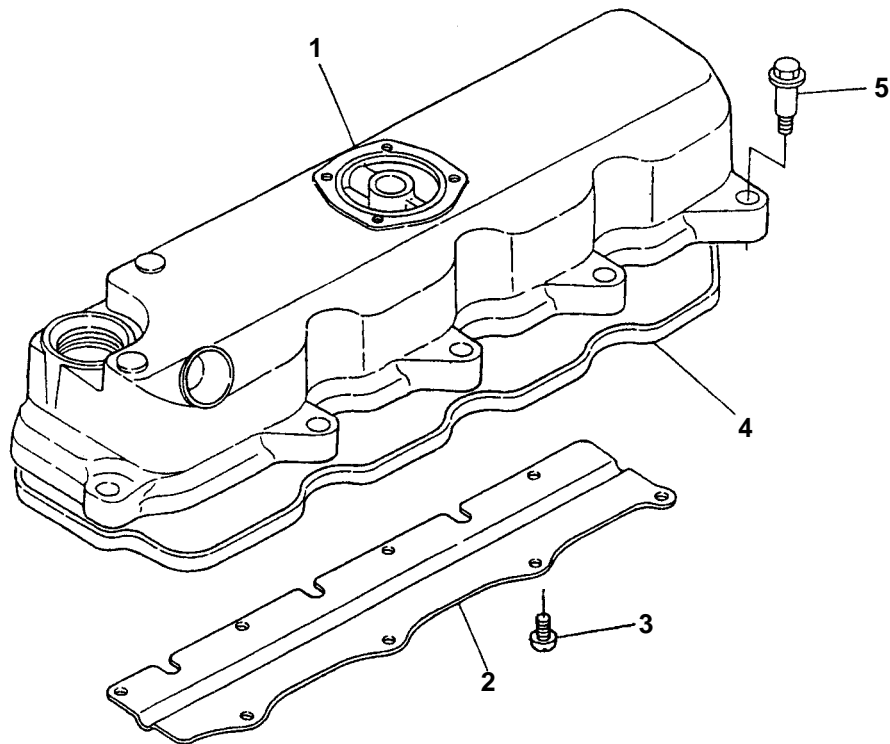
Item	Part Number	Description	Qty
1	25-15020-00	LIFTING EYE	2
2	25-37444-00	BOLT	1
3	25-37119-00	STUD (CT4-134TV)	2
	25-37237-00	STUD (CT4-114TV)	2
4	25-35685-00	NUT, HEX M8	1
5	25-35687-00	WASHER, SPRING M8	1
6	25-35531-00	WASHER, PLAIN M8	1
7	25-39330-00	CYLINDER HEAD (CT4-134TV) - INCLUDES:	1
	25-39370-00	CYLINDER HEAD (CT4-114TV) - INCLUDES:	1
8	25-37106-00	CAP, SEALING	12
9	25-37107-00	CAP, SEALING	1
10	25-37108-00	PLUG	2
11	25-39036-00	GUIDE, INTAKE (REAM TO SIZE)	4
12	25-39037-00	GUIDE, EXHAUST (REAM TO SIZE)	4
13	25-38528-00	BOLT, CYLINDER HEAD	18
14	25-38532-00	GASKET, CYLINDER HEAD (CT4-134TV) - INCLUDES:	1
	25-39113-00	GASKET, CYLINDER HEAD (CT4-114TV) - INCLUDES:	1
15	25-35032-00	O-RING	1

4. GEAR CASE



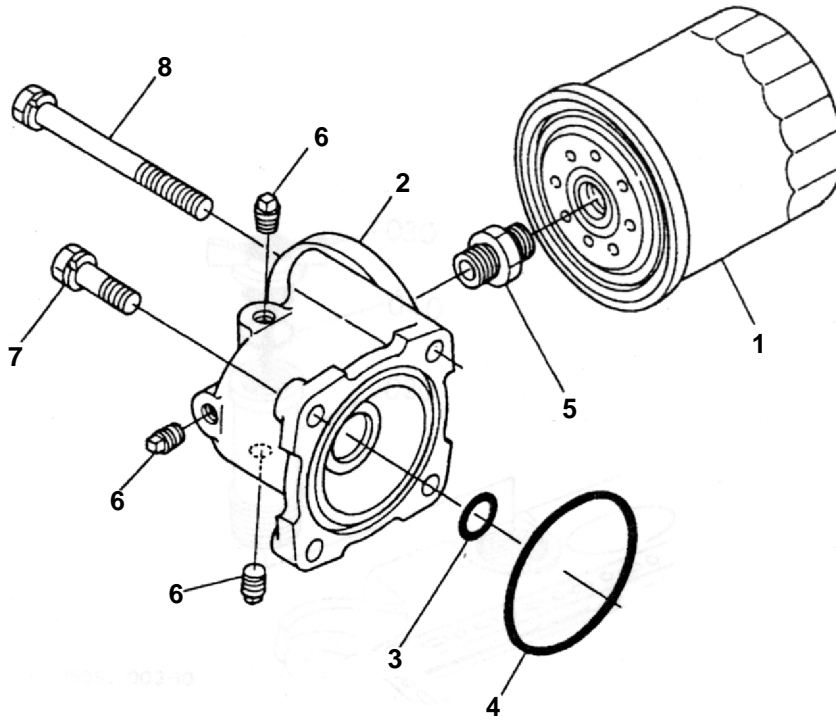
Item	Part Number	Description	Qty
1	25-39050-00	GEAR CASE COVER, ASSY - INCLUDES:	1
2	25-39051-00	PLUG, GEAR CASE	2
3	25-37142-00	O-RING	2
4	25-39363-00	O-RING	1
5	25-37143-00	O-RING	1
6	25-37144-00	PIN, START SPRING	1
7	25-37695-00	PIN, STRAIGHT	2
8	25-39054-00	GASKET, GEAR CASE	1
9	25-37146-00	BOLT	2
10	25-37665-00	BOLT	5
11	25-15302-00	BOLT	1
12	25-37147-00	BOLT	2
13	25-37148-00	BOLT, M8 X 87 MM LONG - GRADE 7	3
14	25-37149-00	BOLT	2
15	25-35687-00	WASHER, SPRING	9
16	25-35531-00	WASHER, PLAIN	1
17	25-39059-00	ADAPTER, OIL FILTER NIPPLE	1
18	25-37151-00	GASKET, STEEL O-RING	1
19	25-37152-00	SPRING, OIL PSI REGULATOR	1
20	25-39066-00	SEAT, OIL PSI REGULATOR VALVE	1
21	25-37154-00	BALL, OIL PSI REGULATOR	1
22	25-37155-00	FLANGE, WATER RETURN	1
23	25-37156-00	GASKET, WATER RETURN FLANGE	1
24	25-37656-00	BOLT	3

5. VALVE COVER



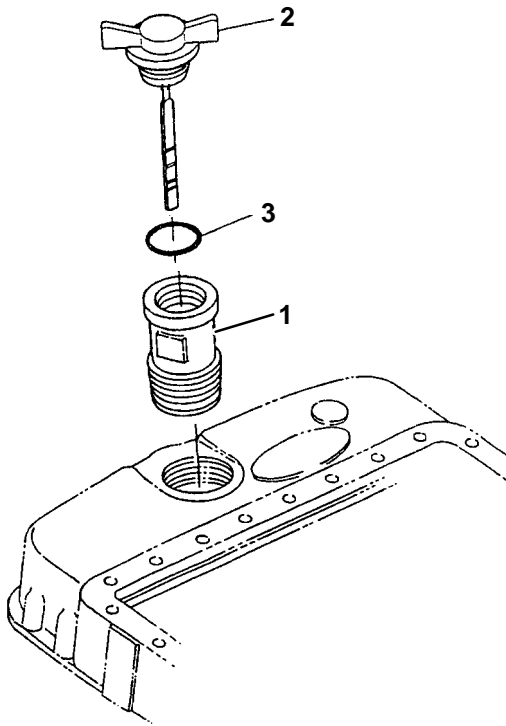
Item	Part Number	Description	Qty
1	25-38769-00	VALVE COVER	1
2	25-38712-00	SHIELD, BREATHER	1
3	25-36197-00	SCREW	8
4	25-38713-00	GASKET, VALVE COVER	1
5	25-38714-00	BOLT	10

6. OIL FILTER



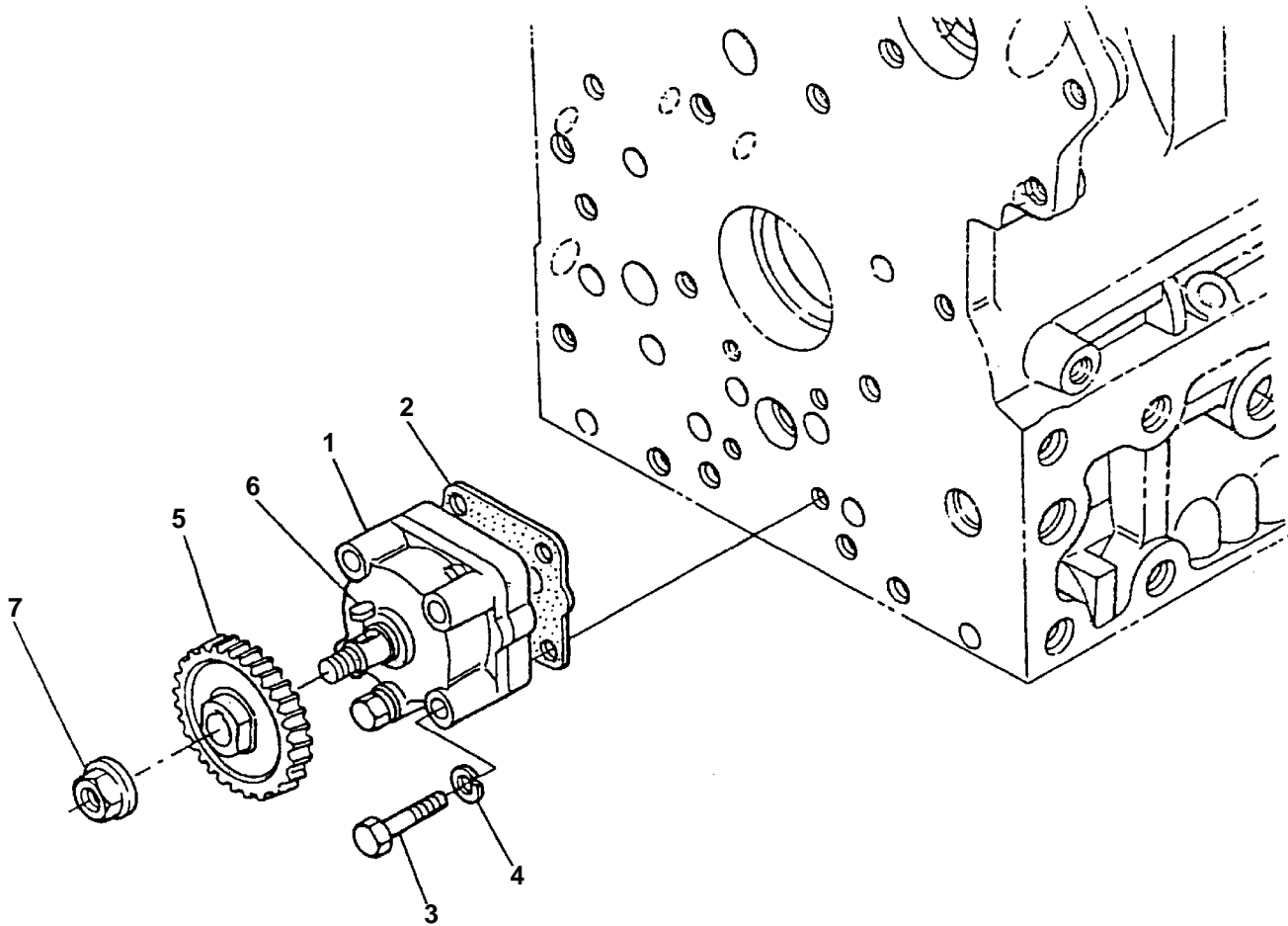
Item	Part Number	Description	Qty
1	30-00463-00	CARTRIDGE, OIL FILTER (ESI)	1
2	25-39123-00	ADAPTER, OIL FILTER HOUSING	1
3	25-39056-00	O-RING	1
4	25-39057-00	O-RING	1
5	25-39321-00	ADAPTER, OIL FILTER NIPPLE	1
6	25-36683-00	PLUG	3
7	25-38718-00	BOLT, M8-1.25 x 28MM	2
8	25-37148-00	BOLT, M8 X 87 MM LONG, GRADE 7	2

7. DIPSTICK



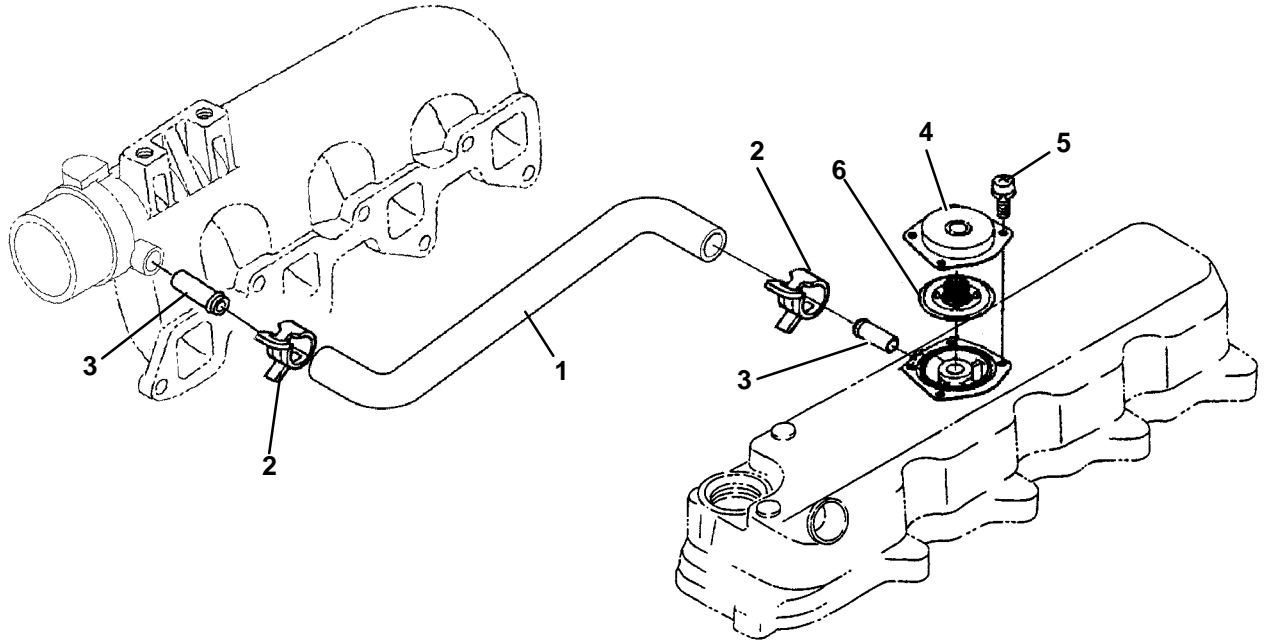
Item	Part Number	Description	Qty
1	25-15071-00	TUBE, OIL FILL	1
2	25-15070-00	DIPSTICK / FILL CAP	1
3	25-37310-00	O-RING	1

8. OIL PUMP



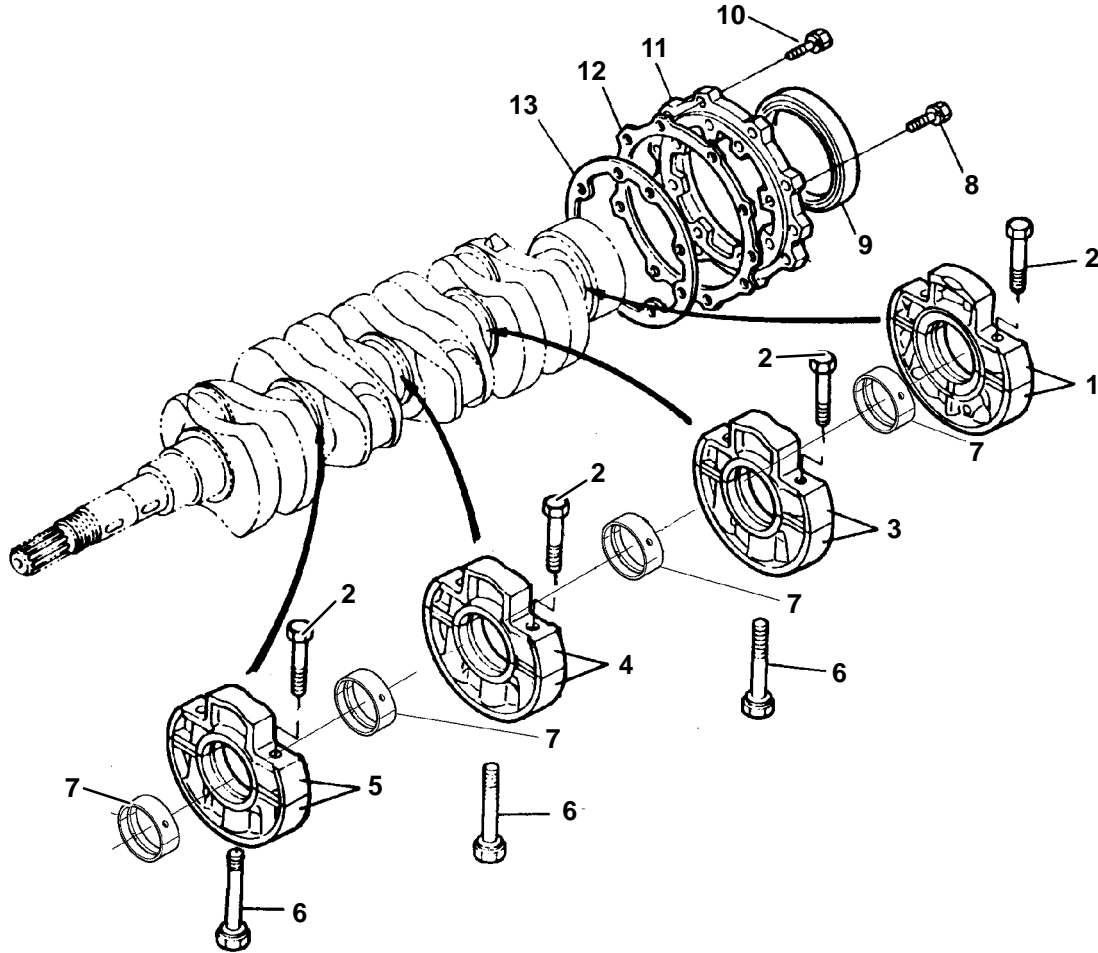
Item	Part Number	Description	Qty
1	25-37040-00	PUMP, OIL	1
2	25-37041-00	GASKET, OIL PUMP	1
3	25-37042-00	BOLT	4
4	25-35692-00	WASHER, SPRING, M6	4
5	25-37043-00	GEAR, OIL PUMP DRIVE	1
6	25-37044-00	KEY, FEATHER	1
7	25-37045-00	NUT, FLANGE	1

9. BREATHER



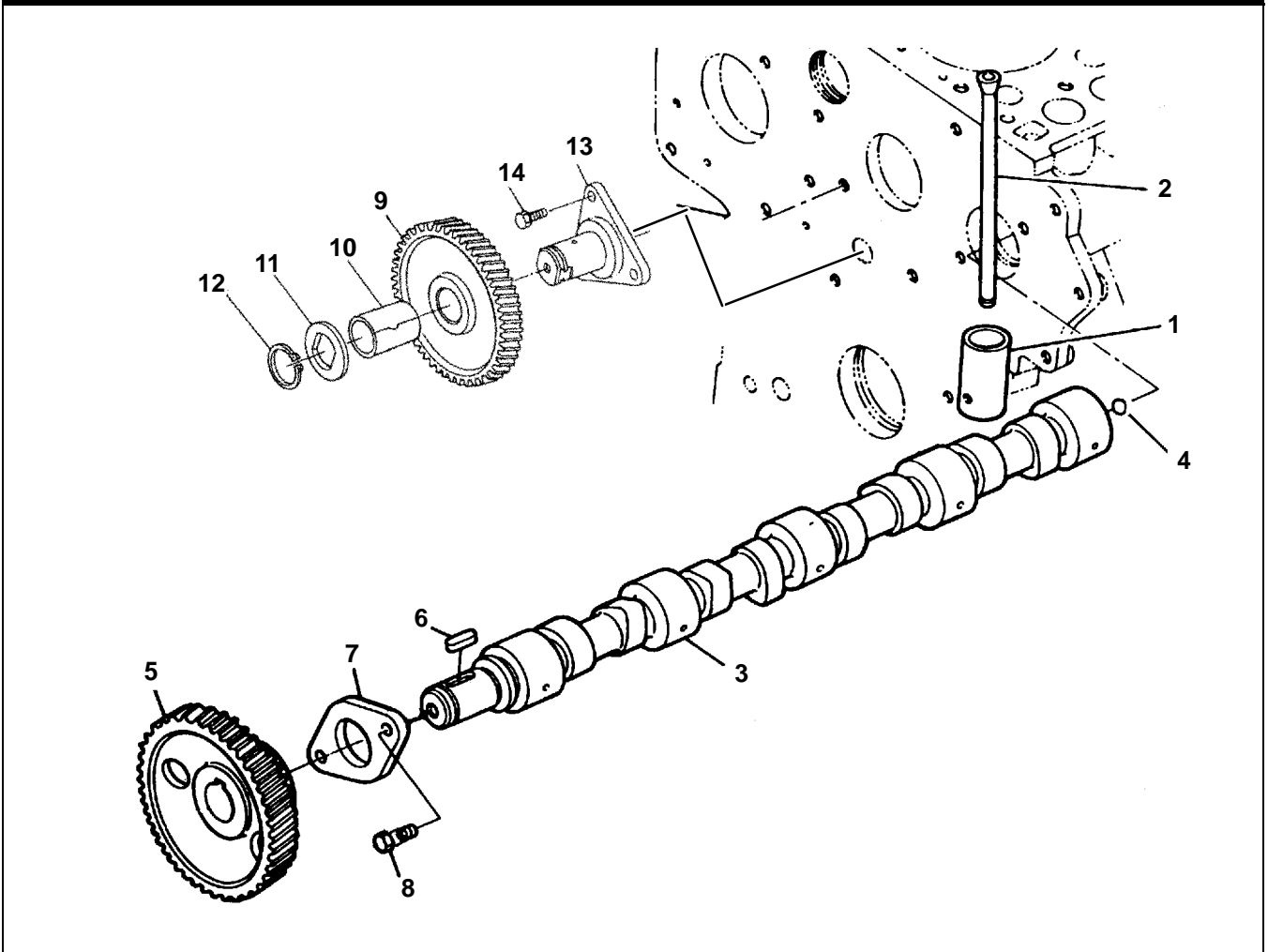
Item	Part Number	Description	Qty
1	25-39333-00	TUBE, BREATHER	1
2	44-00045-01	CLAMP, HOSE	2
3	25-38727-00	NIPPLE	2
4	25-38719-00	COVER, BREATHER	1
5	25-36197-00	SCREW	4
6	25-38720-00	VALVE, BREATHER	1

10. MAIN BEARING CASE



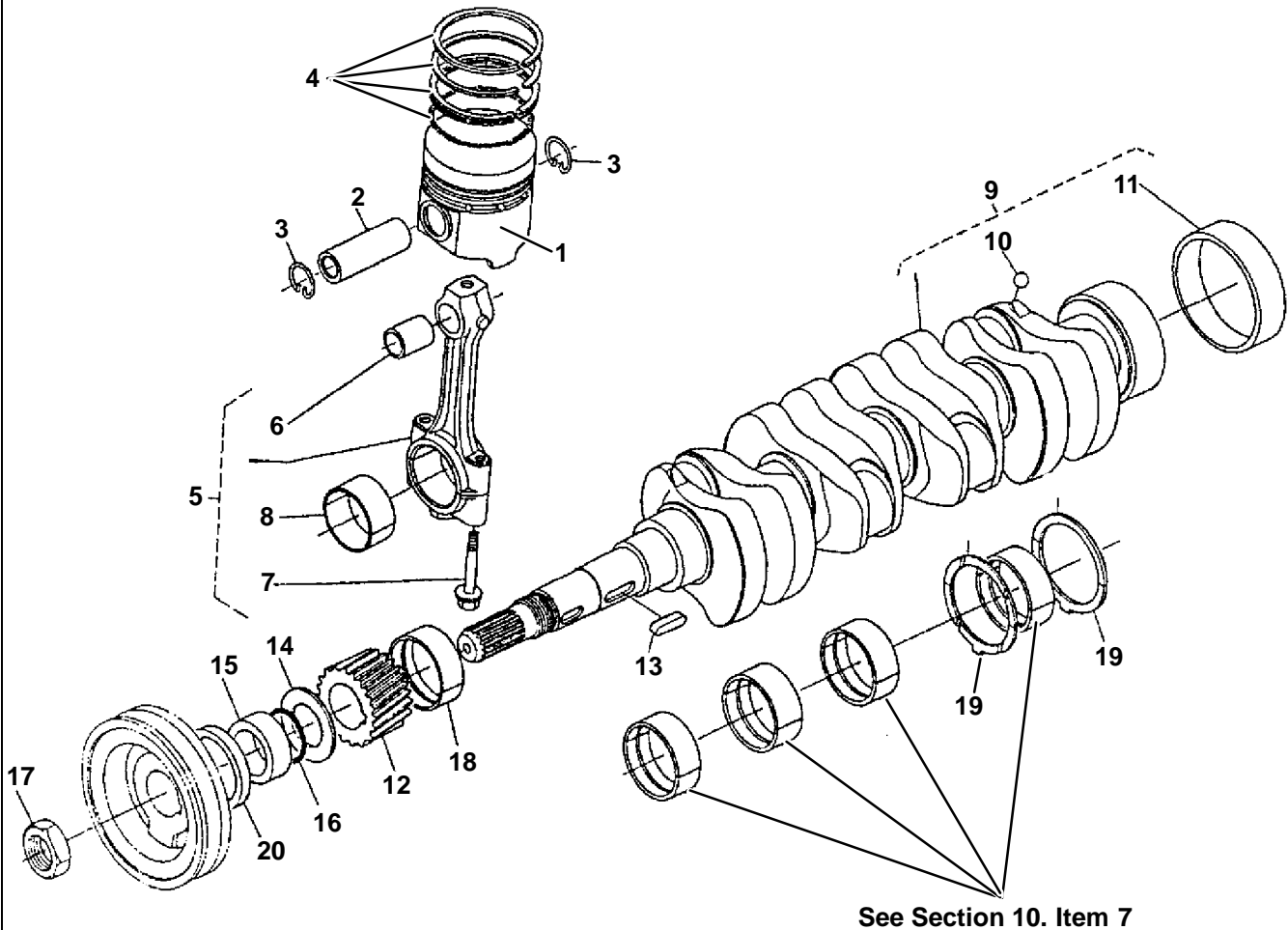
Item	Part Number	Description	Qty
1	25-39371-00	CASE, MAIN BEARING, #4 - INCLUDES:	1
2	25-39372-00	BOLT, MAIN BEARING CASE	2
3	25-39375-00	CASE, MAIN BEARING, #3 - INCLUDES:	1
2	25-39372-00	BOLT, MAIN BEARING CASE	2
4	25-39374-00	CASE, MAIN BEARING, #2 - INCLUDES:	1
2	25-39372-00	BOLT, MAIN BEARING CASE	2
5	25-39373-00	CASE, MAIN BEARING, #1 - INCLUDES:	1
2	25-39372-00	BOLT, MAIN BEARING CASE	2
6	25-37191-01	BOLT, BEARING CASE	3
7	25-39378-00	BEARING, MAIN STD (SINGLE PACK)	4
	25-39379-00	BEARING, MAIN 0.2MM (SINGLE PACK)	4
	25-39380-00	BEARING, MAIN 0.4MM (SINGLE PACK)	4
8	25-38718-00	BOLT, M8-1.25 x 28MM	8
9	25-37198-00	SEAL, REAR OIL	1
10	25-37660-00	BOLT	8
11	25-39377-00	COVER, BEARING CASE	1
12	25-38717-00	GASKET, CASE COVER	1
13	25-39376-00	GASKET, BEARING CASE	1

11. CAMSHAFT AND IDLE GEAR SHAFT



Item	Part Number	Description	Qty
1	25-39100-00	TAPPET	8
2	25-38600-00	PUSH ROD	8
3	25-38105-00	CAMSHAFT ASSEMBLY (CT4-134TV) - INCLUDES:	1
	25-39153-00	CAMSHAFT ASSEMBLY (CT4-114TV) - INCLUDES:	1
4	25-34169-00	BALL	1
5	25-39382-00	GEAR, CAM	1
6	25-37700-00	KEY FEATHER	1
7	25-39383-00	THRUST PLATE, CAMSHAFT	1
8	25-35680-00	BOLT	2
9	25-39384-00	GEAR, IDLER - INCLUDES:	1
10	25-39385-00	BUSHING, IDLER GEAR	1
11	25-39386-00	COLLAR	1
12	25-39387-00	CIR CLIP, IDLER GEAR	1
13	25-39388-00	SHAFT, IDLER GEAR	1
14	25-39389-00	BOLT	3

12. PISTON AND CRANKSHAFT

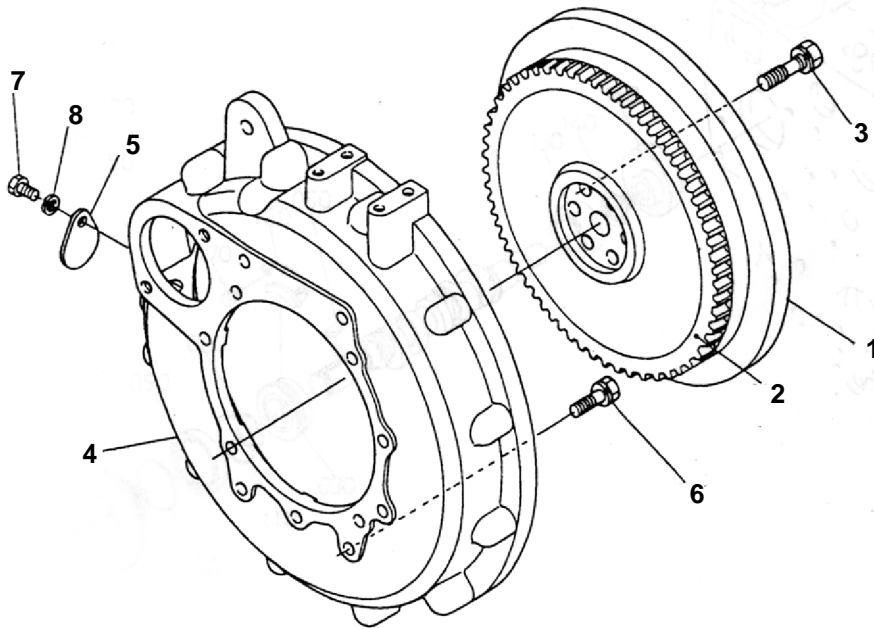


Item	Part Number	Description	Qty
1	25-39412-00	PISTON, STD (CT4-114TV) - INCLUDES:	4
	25-39413-00	PISTON, (+0.25MM) (CT4-114TV) - INCLUDES:	4
	25-39414-00	PISTON, STD (CT4-134TV) - INCLUDES:	4
	25-39415-00	PISTON, (+0.50MM) (CT4-134TV) - INCLUDES:	4
2	25-38118-00	PIN, PISTON	4
3	25-39416-00	CIR-CLIP, PISTON PIN	8
4	25-38124-00	RING SET, STD (CT4-114TV)	4
	25-38124-01	RING SET, (+0.25MM) (CT4-114TV)	4
	25-38611-00	RING SET, STD (CT4-134TV)	4
	25-38611-01	RING SET, (+0.50MM) (CT4-134TV)	4
5	25-39112-00	CONNECTING ROD, ASSY - INCLUDES:	4
6	25-38121-00	BUSHING, PISTON PIN	4
7	25-37384-13	BOLT, CONNECTING ROD	8
8	25-39122-00	BEARING, ROD STD	4
	25-38122-01	BEARING, ROD (+0.2MM)	4
	25-38122-02	BEARING, ROD (+0.4MM)	4

12. PISTON AND CRANKSHAFT

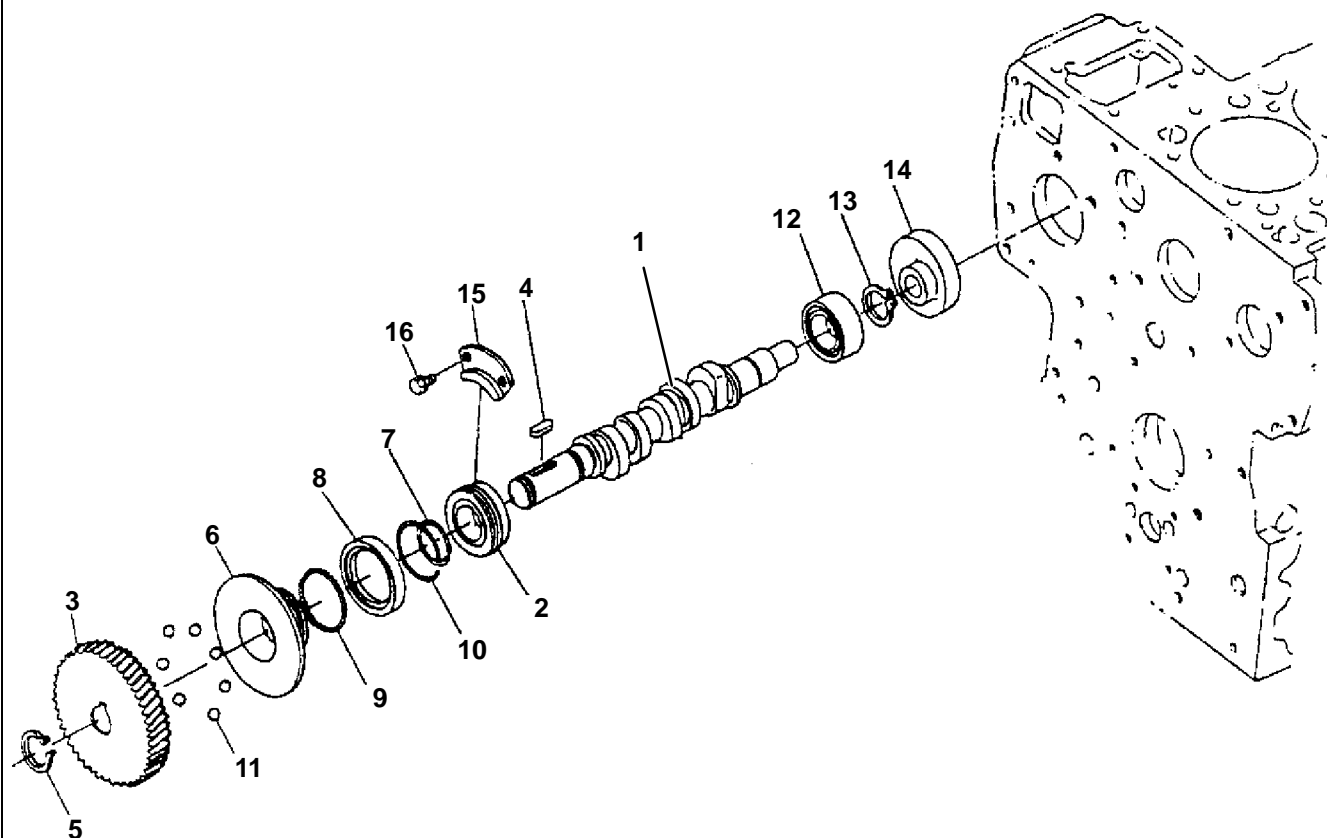
Item	Part Number	Description	Qty
9	25-39341-00	CRANKSHAFT - INCLUDES:	1
10	25-34169-00	BALL	4
11	25-37385-02	WEAR SLEEVE, CRANKSHAFT REAR	1
12	25-37386-00	GEAR, CRANKSHAFT	1
13	25-37700-00	KEY FEATHER	1
14	25-39347-00	SLINGER, OIL	1
15	25-37388-00	WEAR SLEEVE, CRANKSHAFT, FRONT	1
16	25-37389-00	O-RING	1
17	25-37390-00	NUT, CRANKSHAFT	1
18	25-39400-00	BEARING #1, FRONT MAIN (STD)	1
	25-39401-00	BEARING #1, FRONT MAIN (-0.2 MM)	1
	25-39402-00	BEARING #1, FRONT MAIN (-0.4 MM)	1
19	25-39403-00	THRUSTWASHER, KIT (STD)	1
	25-39404-00	THRUSTWASHER, KIT (+0.2 MM)	1
	25-39405-00	THRUSTWASHER, KIT (+0.4 MM)	1
20	25-37396-01	SEAL, FRONT	1

13. FLYWHEEL



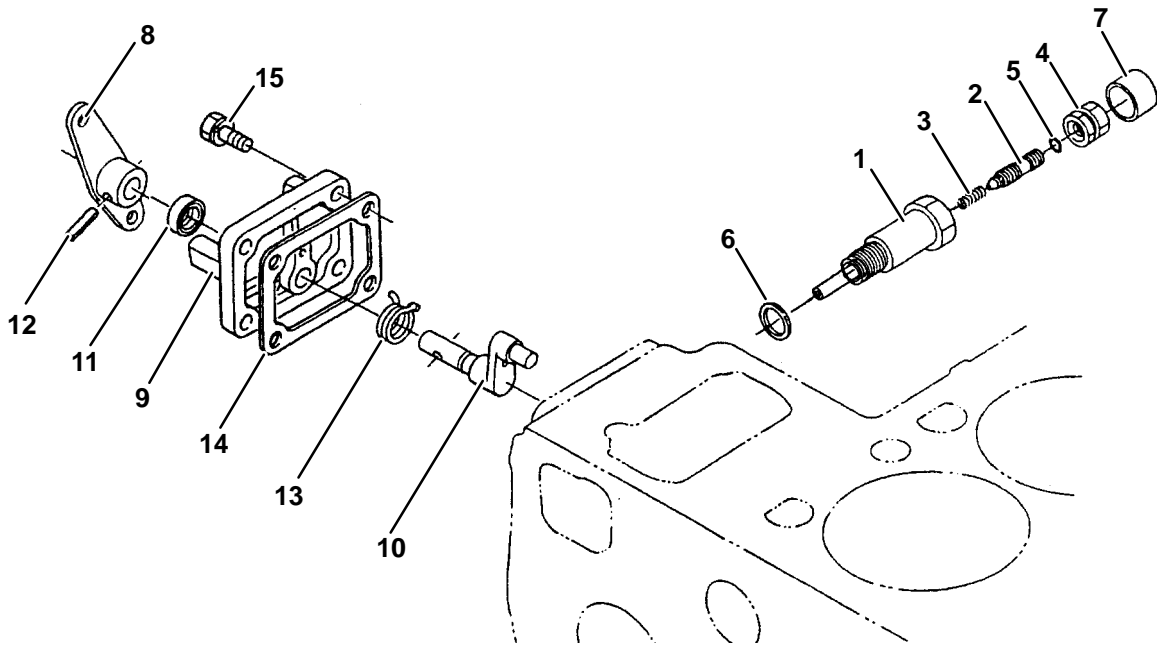
Item	Part Number	Description	Qty
1	25-39126-00	FLYWHEEL ASSEMBLY - INCLUDES:	1
2	25-39125-01	GEAR,RING (FLYWHEEL)	1
3	25-37421-01	BOLT, FLYWHEEL	6
4	25-39293-00	HOUSING, FLYWHEEL	1
5	25-39000-00	COVER	1
6	25-39001-00	BOLT	11
7	25-37425-00	BOLT	1
8	25-35687-00	WASHER, SPRING	1

14. FUEL CAMSHAFT



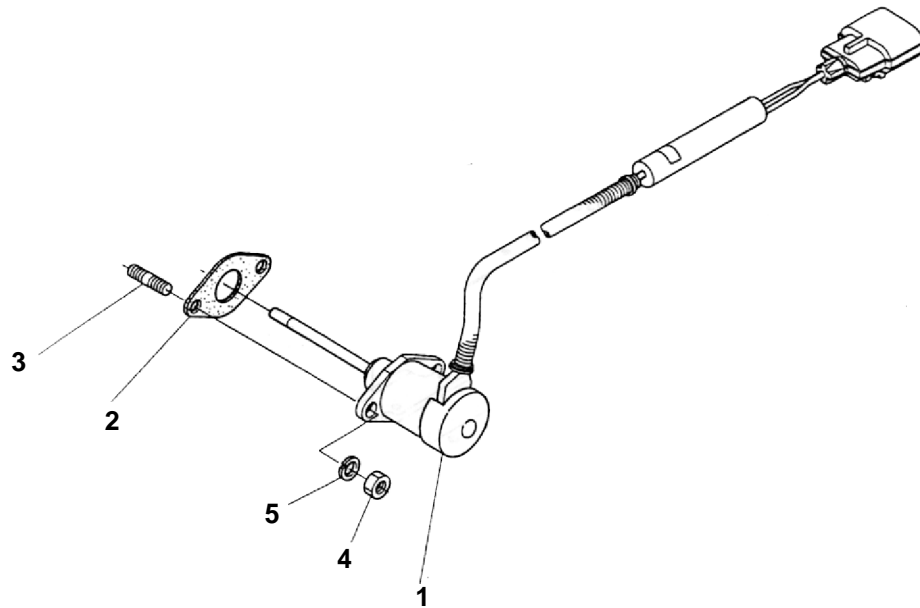
Item	Part Number	Description	Qty
1	25-39181-00	CAMSHAFT, FUEL INJECTION PUMP	1
2	25-37431-00	BEARING, BALL	1
3	25-39182-00	GEAR, INJECTION PUMP	1
4	25-37433-00	KEY, FEATHER	1
5	25-37434-00	CIRCLIP, EXTERNAL	1
6	25-38165-00	SLEEVE, GOVERNOR	1
7	25-37436-00	CIRCLIP, SLEEVE	1
8	25-39364-00	CASE, GOVERNOR BALL	1
9	25-35389-00	BALL	39
10	25-37436-00	CIRCLIP	1
11	25-39365-00	BALL	7
12	25-39366-00	BEARING	1
13	25-37447-00	CIR CLIP, EXTERNAL	1
14	25-38661-00	CAM, FEED PUMP	1
15	25-39183-00	STOPPER, FUEL CAMSHAFT	1
16	944030	BOLT	2

15. ENGINE STOP LEVER



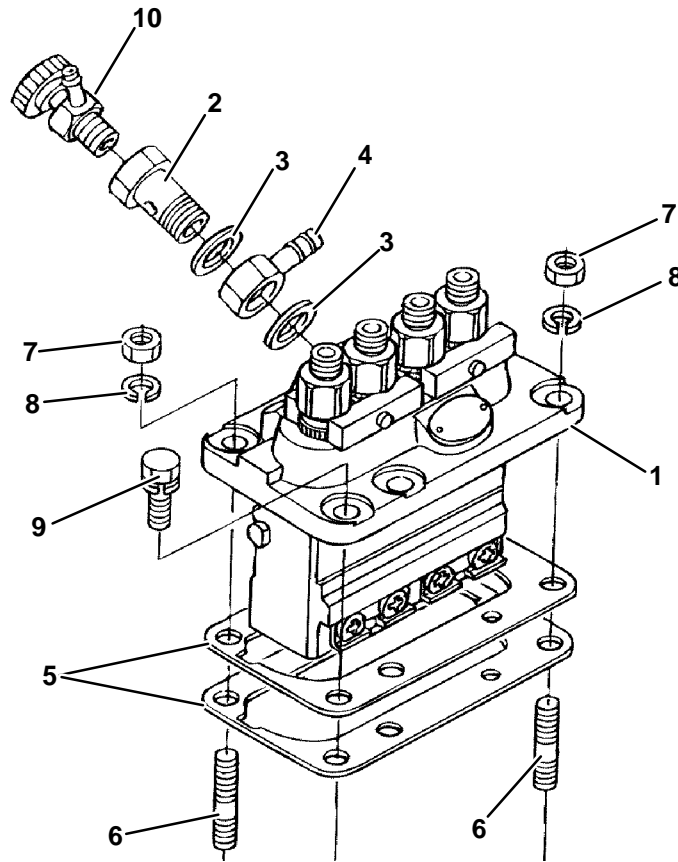
Item	Part Number	Description	Qty
1	25-39367-00	IDLE , ADJUSTER ASSEMBLY - INCLUDES:	1
2	25-39257-00	BOLT, ADJUSTING - INCLUDES:	1
3	25-39368-00	SPRING	1
4	25-39262-00	NUT, SPRING	1
5	25-39266-00	O-RING	1
6	25-39267-00	GASKET	1
7	25-39264-00	CAP	1
8	25-39215-00SV	LEVER ASSEMBLY, ENGINE STOP - INCLUDES:	1
9	NSS	COVER, INJECTION PUMP	1
10	NSS	SHAFT, LEVER	1
11	25-36830-00	SEAL, OIL	1
12	25-37536-00	PIN, SPRING	1
13	25-39218-00	SPRING, RETURN	1
14	25-37537-00	GASKET, PUMP COVER	1
15	25-39084-00	BOLT, M6-1.00 x 18MM	4

16. STOP SOLENOID



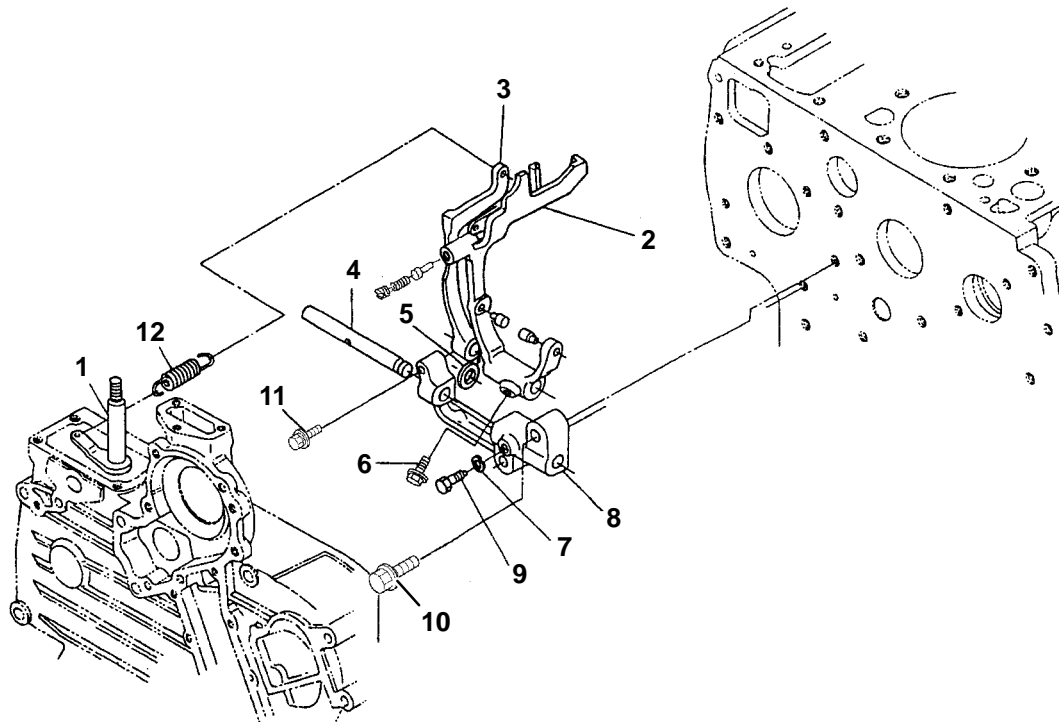
Item	Part Number	Description	Qty
1	25-38109-05SV	SOLENOID, 12 VDC, INCLUDES:	1
2	25-39171-00	GASKET, FUEL SOLENOID	1
3	25-37672-00	STUD, M6	2
4	25-35684-00	NUT, M6	2
5	25-35692-00	WASHER, SPRING, M6	2

17. INJECTION PUMP



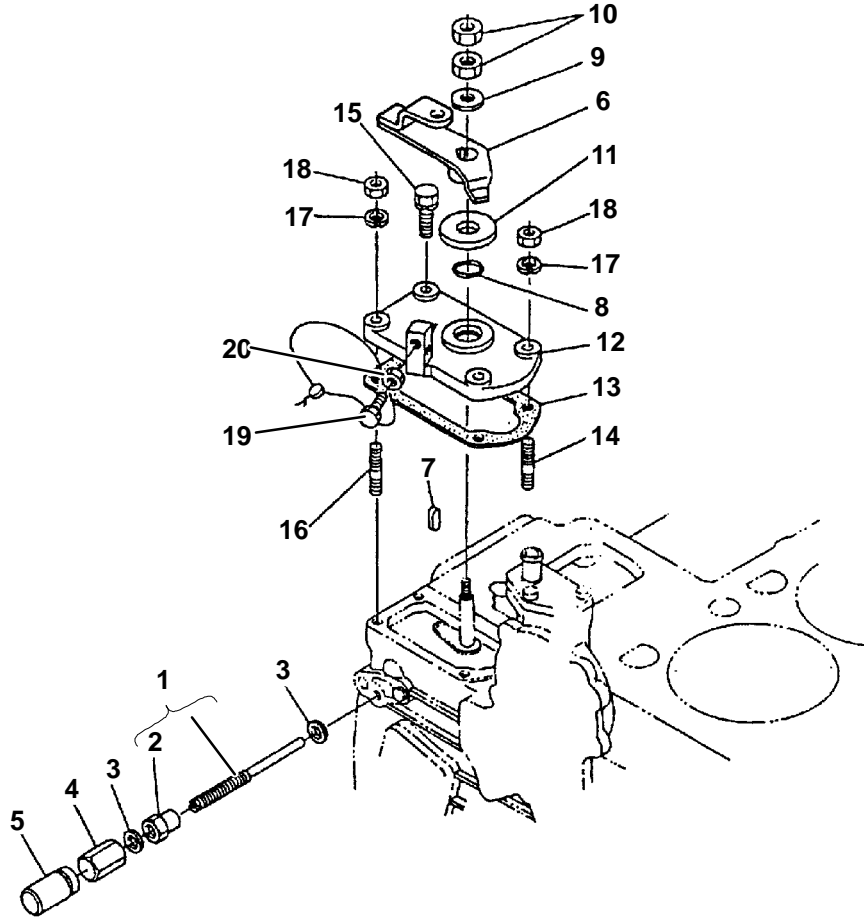
Item	Part Number	Description	Qty
1	25-39315-00	PUMP ASSEMBLY, INJECTION - INCLUDES:	1
2	25-37588-00	BOLT, BANJO	1
3	25-37589-00	GASKET	2
4	25-37594-00	FITTING, BANJO	1
5	25-39390-00	SHIM (0.20MM)	A/R
	25-39391-00	SHIM (0.25MM)	A/R
	25-39392-00	SHIM (0.30MM)	A/R
	25-39393-00	SHIM (0.35MM)	A/R
6	25-37237-00	STUD	2
7	25-35685-00	NUT, HEX M8	2
8	25-35687-00	WASHER, SPRING	2
9	25-37659-00	BOLT	4
10	25-37593-00	FITTING, DRAIN	1

18. GOVERNOR



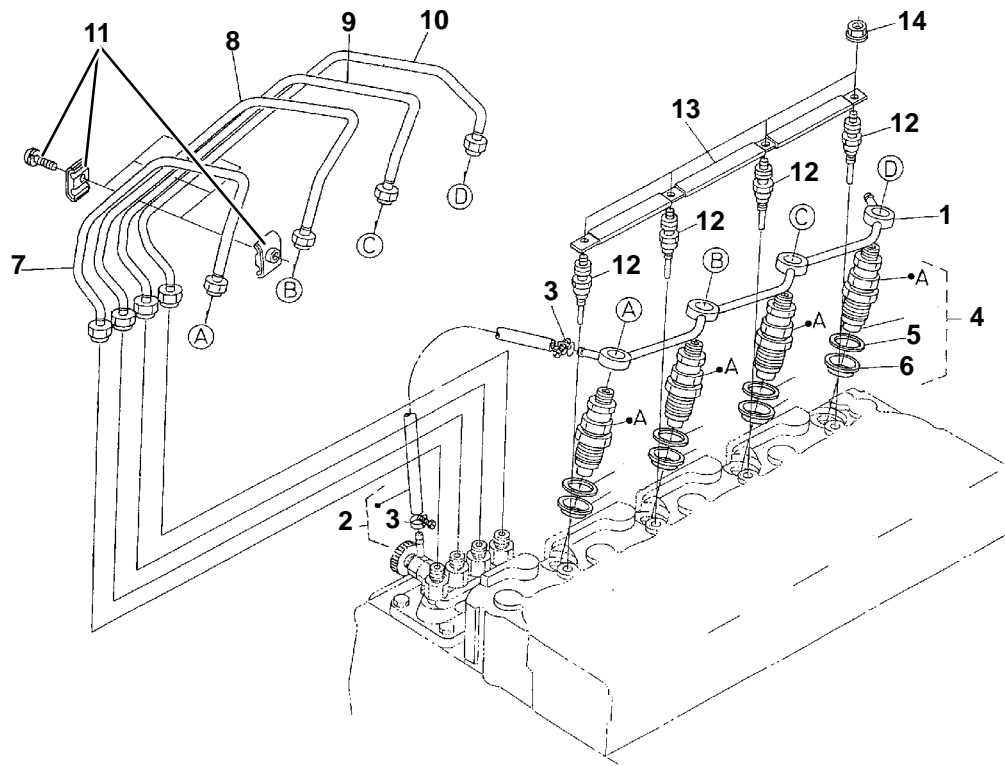
Item	Part Number	Description	Qty
1	25-39210-00	LEVER ASSEMBLY, GOVERNOR	1
2	25-39340-00	FORK LEVER ASSEMBLY	1
3	25-39103-00	FORK LEVER	1
4	25-39272-00	SHAFT, FORK LEVER	1
5	25-39213-00	WASHER, PLAIN	1
6	25-39273-00	BOLT, FLANGE	1
7	25-35692-00	WASHER, SPRING	1
8	25-39274-00	HOLDER, FORK LEVER	1
9	25-35354-00	BOLT	1
10	25-39394-00	BOLT, FLANGE	2
11	25-39395-00	BOLT	1
12	25-39214-00	SPRING	1

19. SPEED CONTROL PLATE



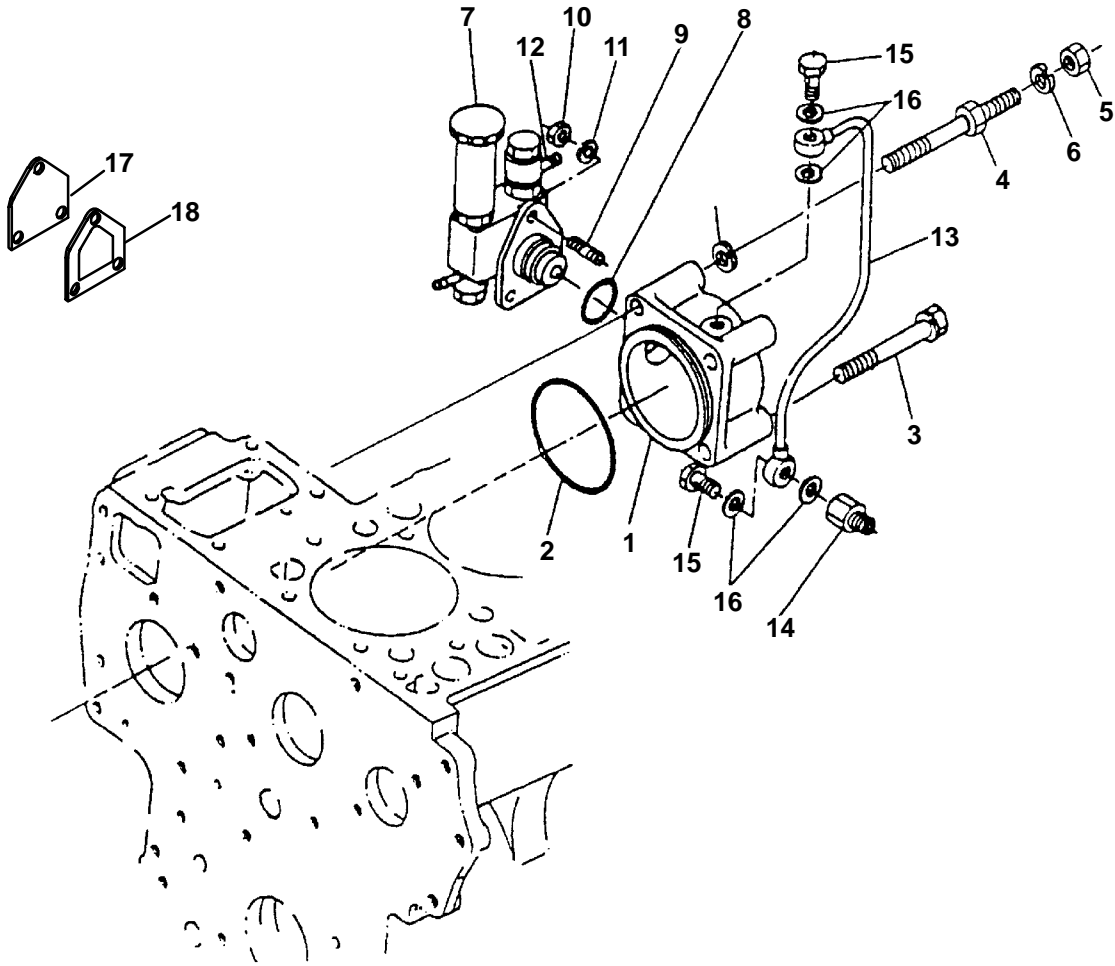
Item	Part Number	Description	Qty
1	25-39396-00	BOLT, ADJUSTING, INCLUDES:	1
2	25-37491-00	NUT, SPECIAL	1
3	25-37492-00	GASKET, COPPER O-RING	2
4	25-39191-00	NUT, LOCK	1
5	25-15301-00	CAP, FUEL ADJUSTMENT	1
6	25-37503-00SV	LEVER, SPEED CONTROL PLATE	1
7	25-37496-00	KEY, FEATHER	1
8	25-39200-00	SEAL, O-RING	1
9	25-37686-00	WASHER, PLAIN, M8	1
10	25-35524-00	NUT	2
11	25-39193-00	PLATE, FRICTION	1
12	25-39194-01	PLATE, SPEED CONTROL - INCLUDES:	1
13	25-37500-01	GASKET, SPEED CONTROL PLATE	1
14	25-39195-00	STUD	1
15	25-35678-00	BOLT	2
16	25-37672-00	STUD, M6	1
17	25-35692-00	WASHER, SPRING, M6	2
18	25-35684-00	NUT, M6	2
19	25-37502-00	BOLT, M6 X 40 MM LONG	1
20	25-35684-00	NUT, M6	1

20. INJECTORS AND GLOW PLUGS



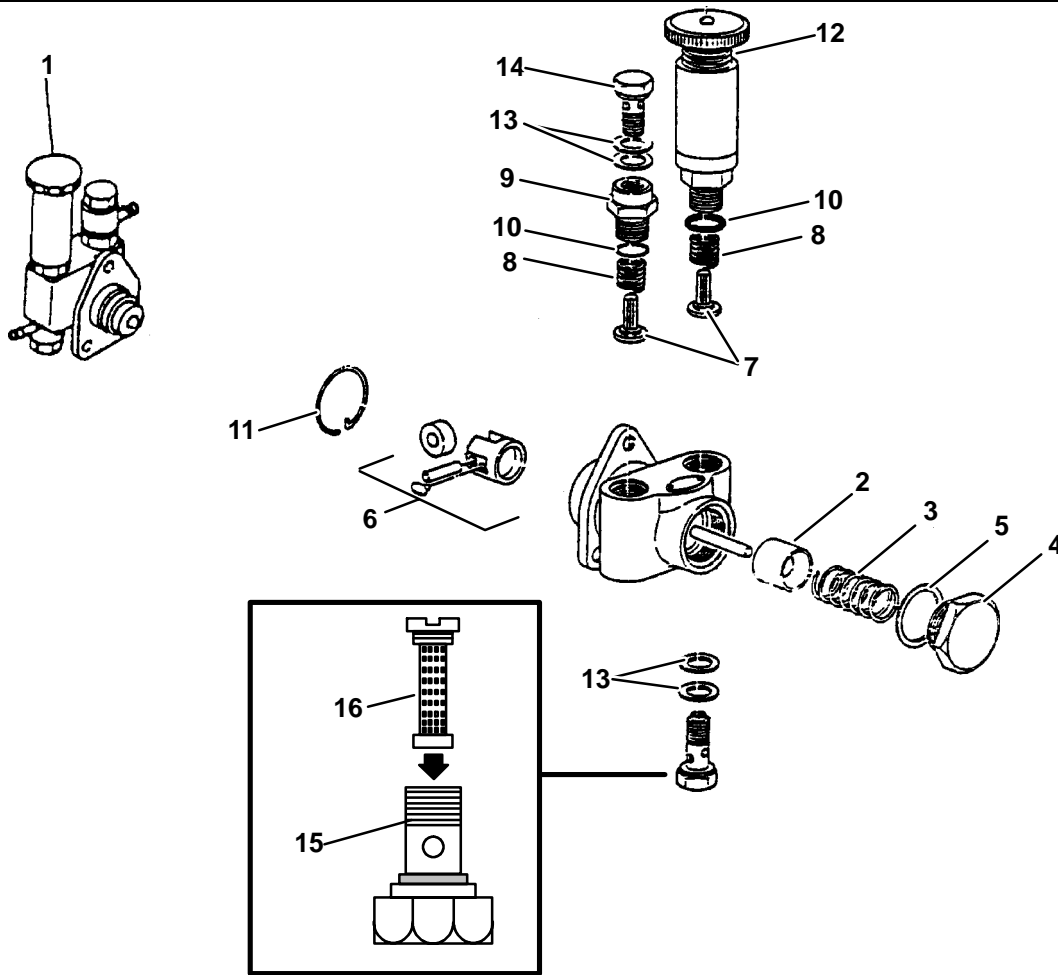
Item	Part Number	Description	Qty
1	25-39406-00	ASSEMBLY PIPE, OVER FLOW	1
2	58-00659-00	PIPE, FUEL OVER FLOW	A/R
3	44-00045-25	CLAMP, HOSE	2
4	25-39106-00	INJECTOR ASSEMBLY - INCLUDES:	4
5	25-34216-00	GASKET	4
6	25-39147-00	SEAL, HEAT	4
7	25-39148-00	PIPE, INJECTION CYLINDER #1	1
8	25-39148-01	PIPE, INJECTION CYLINDER #2	1
9	25-39148-02	PIPE, INJECTION CYLINDER #3	1
10	25-39148-03	PIPE, INJECTION CYLINDER #4	1
11	25-38140-00	CLAMP, KIT INJECTOR LINE	A/R
12	25-39155-00	GLOW PLUG	4
13	25-39156-00	CORD, GLOW PLUG	1
14	25-34222-00	NUT, FLANGE, M4	4

21. FUEL PUMP



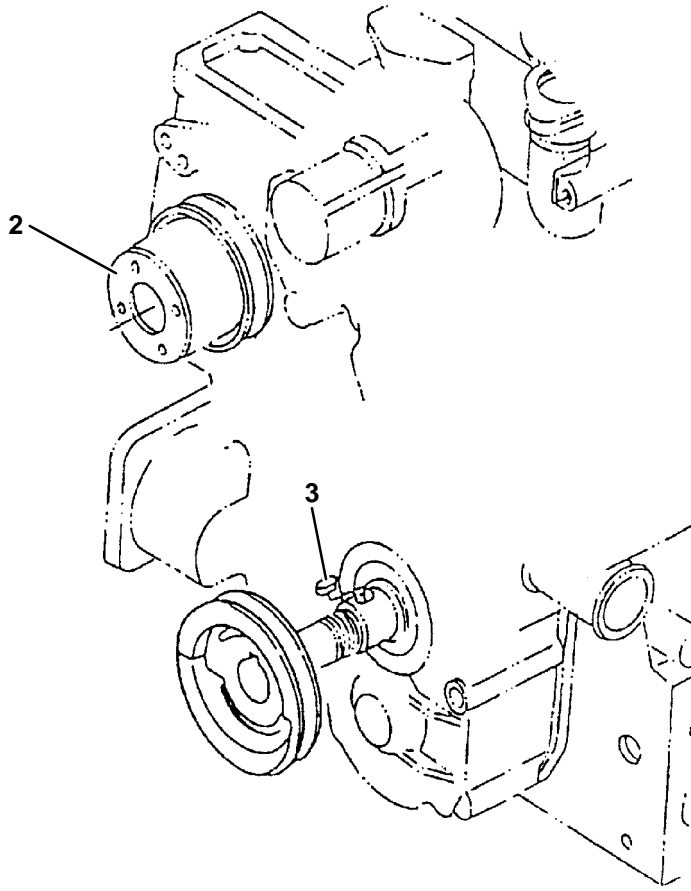
Item	Part Number	Description	Qty
1	25-38663-00	HOLDER, FUEL LIFT PUMP	1
2	25-38664-00	O-RING	1
3	25-37449-00	BOLT	2
4	25-38662-00	STUD	2
5	25-37681-00	NUT, M10	2
6	25-37690-00	WASHER, M10	4
7	25-38666-00	PUMP ASSY, FUEL LIFT	1
8	25-38667-00	O-RING	1
9	25-36715-00	STUD	3
10	25-35684-00	NUT, M6	3
11	25-35692-00	WASHER, SPRING, M6	3
12	25-37594-00	BANJO, FITTING	2
13	25-38668-00	PIPE, OIL FEED LIFT PUMP	1
14	25-38669-00	FITTING	1
15	25-38670-00	BOLT, BANJO	2
16	25-35136-05	GASKET, COPPER O-RING	4
17	25-38673-00	COVER, FUEL PUMP (USED WHEN ITEM 7 IS NOT USED)	1
18	25-38674-00	GASKET, FUEL PUMP (USED WHEN ITEM 7 IS NOT USED)	1

22. FUEL PUMP ASSEMBLY



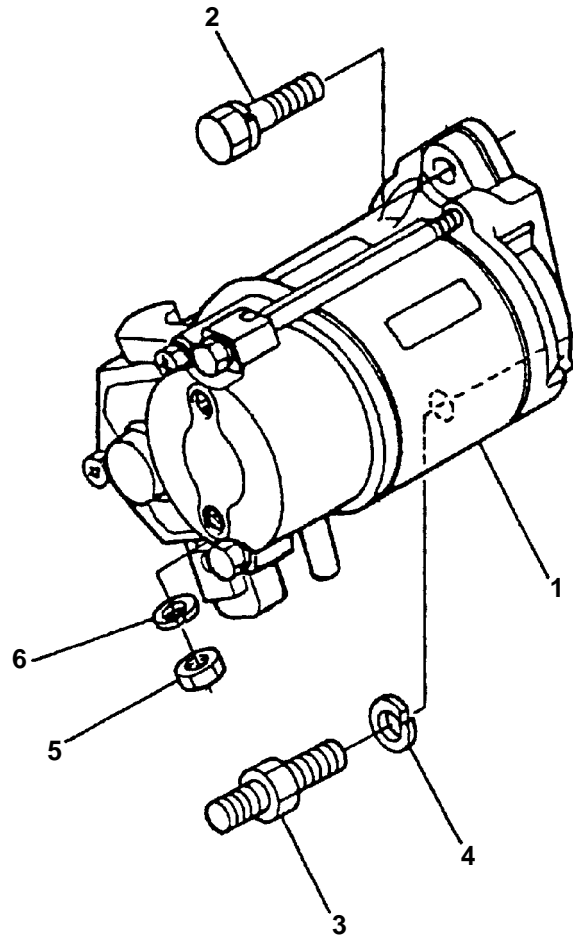
Item	Part Number	Description	Qty
1	25-38666-00	PUMP ASSY, FUEL LIFT - INCLUDES:	1
2	25-38666-01	PISTON, FUEL PUMP	1
3	25-38666-02	SPRING, FUEL PUMP	1
4	25-38666-03	PLUG, FUEL PUMP	1
5	25-38666-04	GASKET, COPPER O-RING	1
6	25-38666-05	TAPPET ASSEMBLY	1
7	29-50052-50	VALVE, FUEL PUMP	2
8	25-38666-07	SPRING, PUMP VALVE	2
9	25-38666-08	ADAPTER	1
10	25-38666-09	O-RING	2
11	25-38666-10	CIR-CLIP	1
12	25-38666-11	PUMP, HAND PRIMING	1
13	25-38666-13	GASKET, COPPER O-RING	4
14	25-38666-14	BOLT, BANJO	1
15	25-38666-12	BOLT, EYE JOINT - INCLUDES:	1
16	25-38666-16	FILTER (BRASS)	1

23. PULLEY



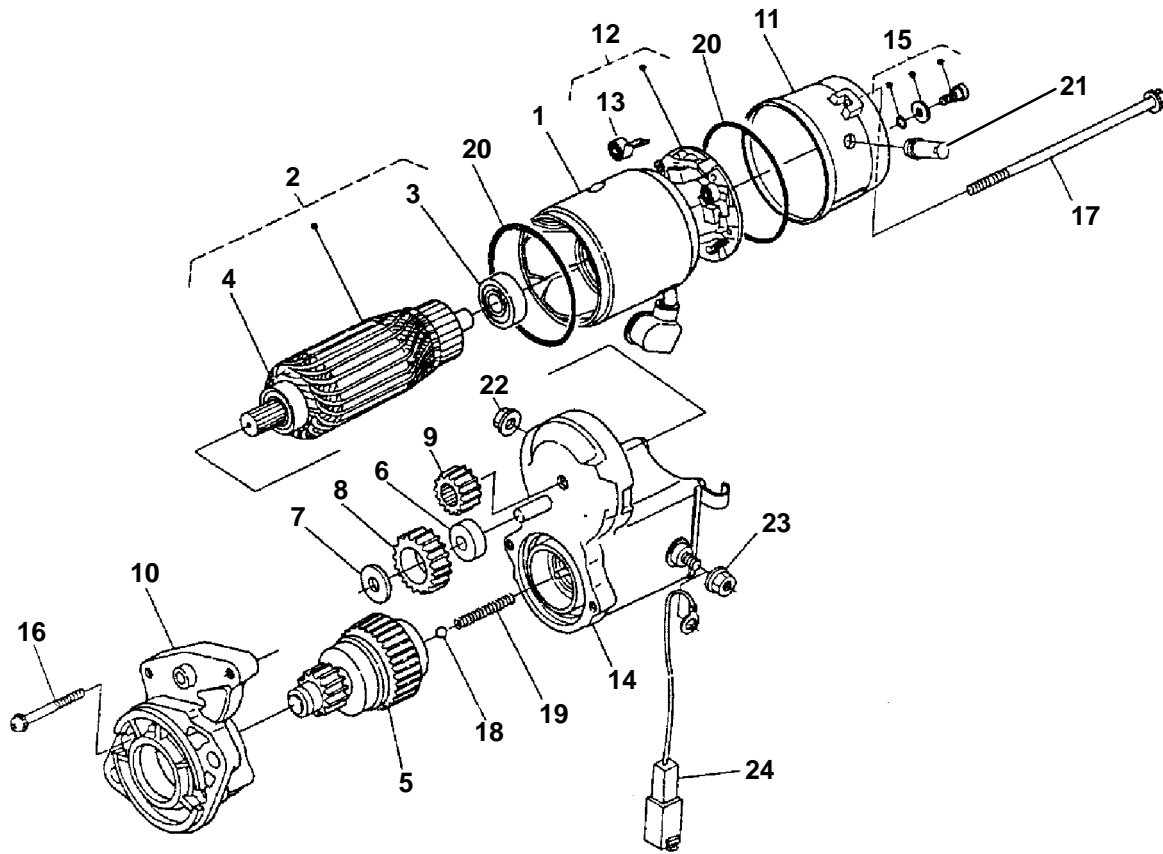
Item	Part Number	Description	Qty
1	25-37402-00	PULLEY, CRANKSHAFT - 154 MM DIAMETER	1
2	25-37580-07	PULLEY, WATER PUMP - 104 MM DIAMETER	1
3	25-37700-00	KEY, FEATHER	1

24. STARTER



Item	Part Number	Description	Qty
1	25-39316-00	STARTER ASSEMBLY	1
2	25-37663-00	BOLT	1
3	25-38767-00	STUD, M10 X 1.25	1
4	25-37690-00	WASHER, SPRING	1
5	25-37680-00	NUT, M8	1
6	25-35687-00	WASHER, SPRING	1

25. STARTER ASSEMBLY



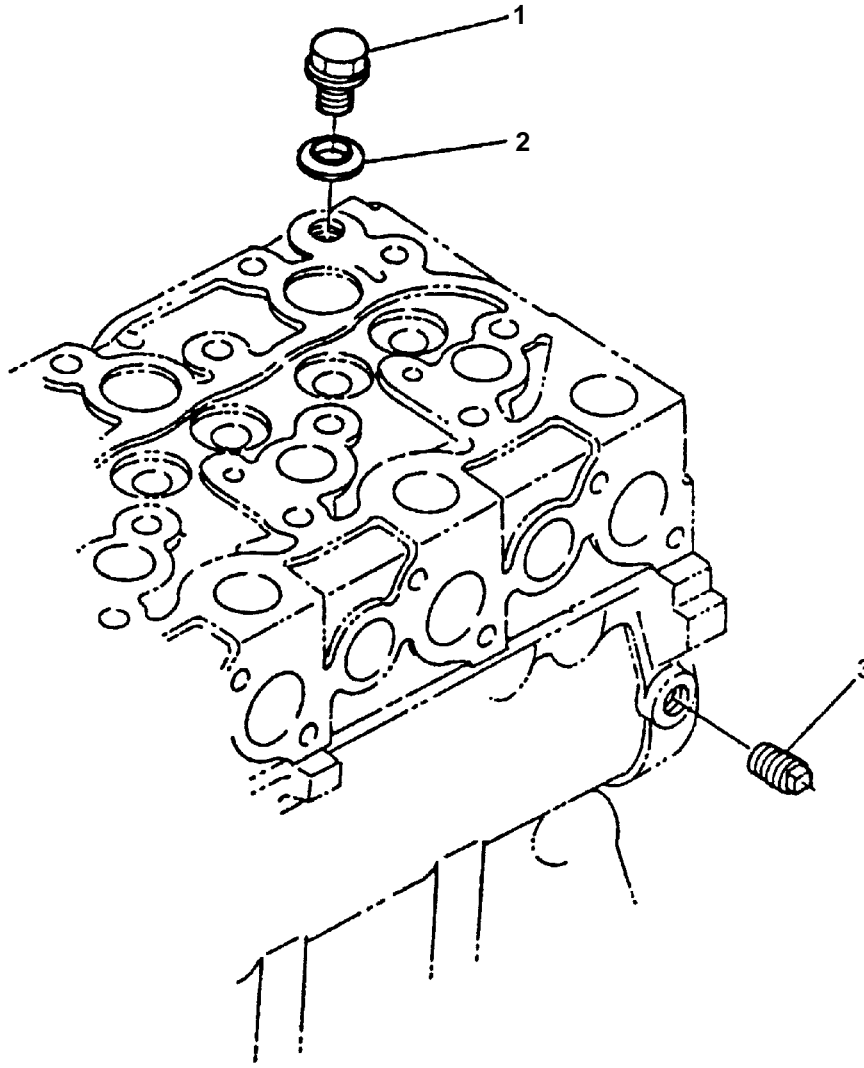
REPLACEMENT PARTS FOR STARTER 25-39316-00

Item	Part Number	Description	Qty
1	25-39240-00	FIELD COIL	1
2	25-39241-00	ARMATURE - INCLUDES:	1
3	25-39242-00	BEARING	1
4	29-70123-00	BEARING	1
5	25-39329-00	CLUTCH ASSEMBLY, STARTER	1
6	25-35458-09	ROLLER	5
7	25-39323-00	RETAINER	1
8	25-39328-00	GEAR IDLER	1
9	25-39327-00	GEAR, ARMATURE	1
10	25-39325-00	FRAME, DRIVE END	1
11	25-39245-00	FRAME, BRUSH HOLDER END	1
12	25-39246-00	HOLDER, BRUSH - INCLUDES:	1
13	25-39247-00	SPRING, BRUSH	4
14	25-39324-00	SOLENOID, ASSEMBLY	1
15	25-39249-00	SCREW	2

25. STARTER ASSEMBLY

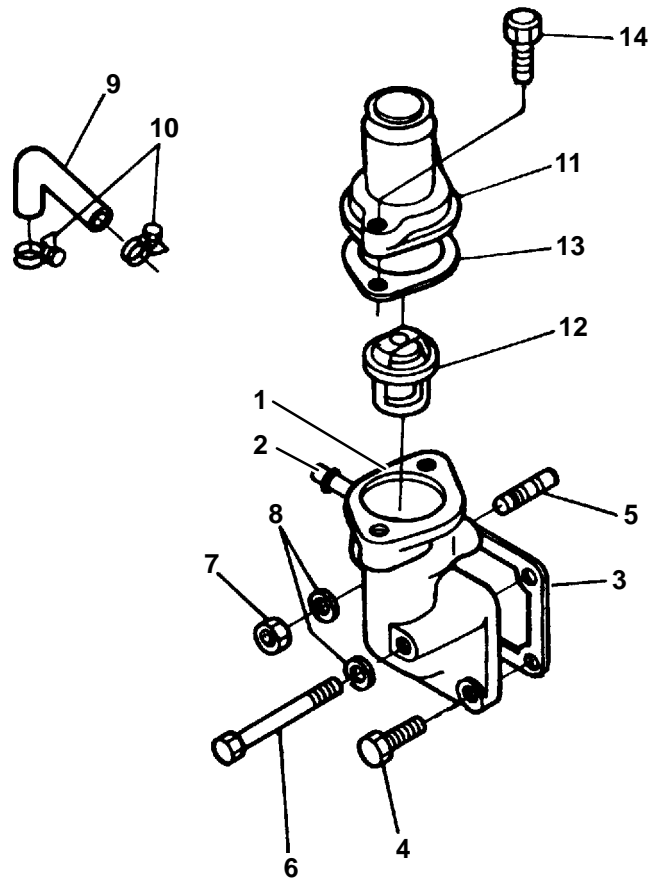
Item	Part Number	Description	Qty
16	25-39185-00	SCREW	2
17	25-39186-00	BOLT, THROUGH	2
18	941598	BALL, STEEL	1
19	25-39326-00	SPRING, CLUTCH ENGAGEMENT	1
20	25-37738-00	O-RING, STARTER	2
21	29-70227-00	PIPE, DRAIN	1
22	25-37742-00	NUT	1
23	29-70223-00	NUT	1
24	25-39135-03	WIRE ASSEMBLY, SOLENOID	1

26. PLUG



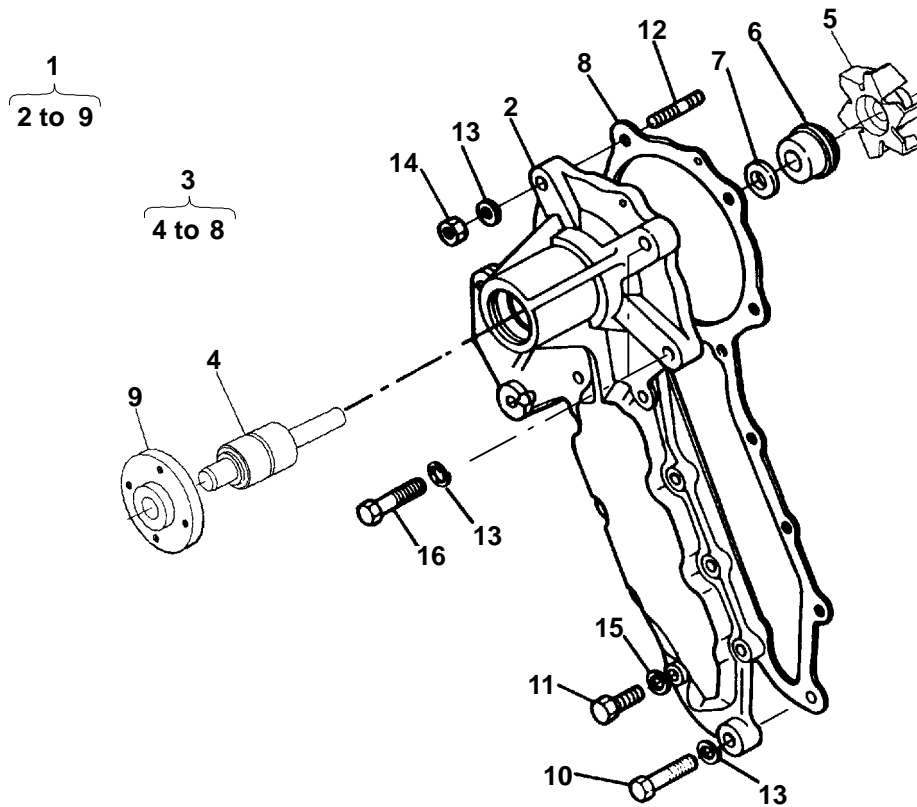
Item	Part Number	Description	Qty
1	25-38052-00	PLUG	1
2	25-38053-00	WASHER, WITH RUBBER	1
3	25-37049-00	PLUG	1

27. THERMOSTAT



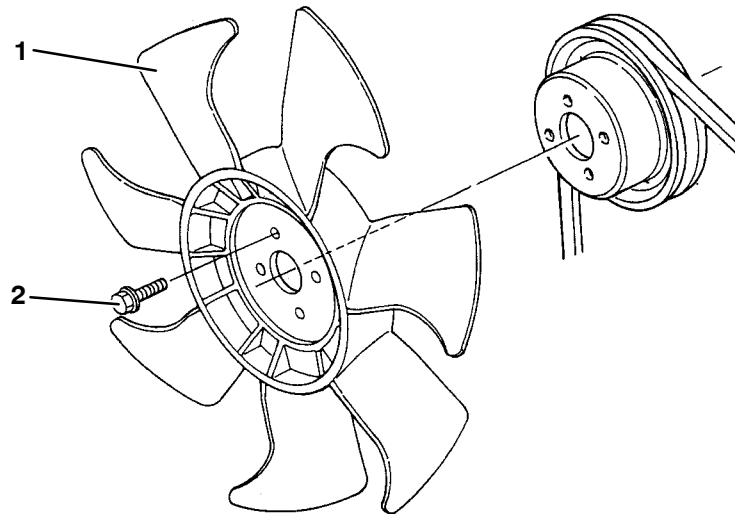
Item	Part Number	Description	Qty
1	25-37560-01	FLANGE, THERMOSTAT - INCLUDES:	1
2	25-38727-00	PIPE, WATER RETURN	1
3	25-37561-00	GASKET, THERMOSTAT FLANGE	1
4	25-38283-00	BOLT, M8 x 22MM LONG, GRADE 7	2
5	25-37237-00	STUD	1
6	25-37664-00	BOLT, M8-1.25 x 65MM	1
7	25-35685-00	NUT, HEX M8	1
8	25-35687-00	WASHER, SPRING	2
9	25-37556-00	HOSE, BY-PASS	1
10	44-00045-06	CLAMP	2
11	25-37557-00	HOUSING, THERMOSTAT	1
12	25-39236-01	THERMOSTAT, KIT - INCLUDES:	1
13	25-37558-00	GASKET, THERMOSTAT HOUSING	1
14	25-37662-00	BOLT	2

28. WATER PUMP



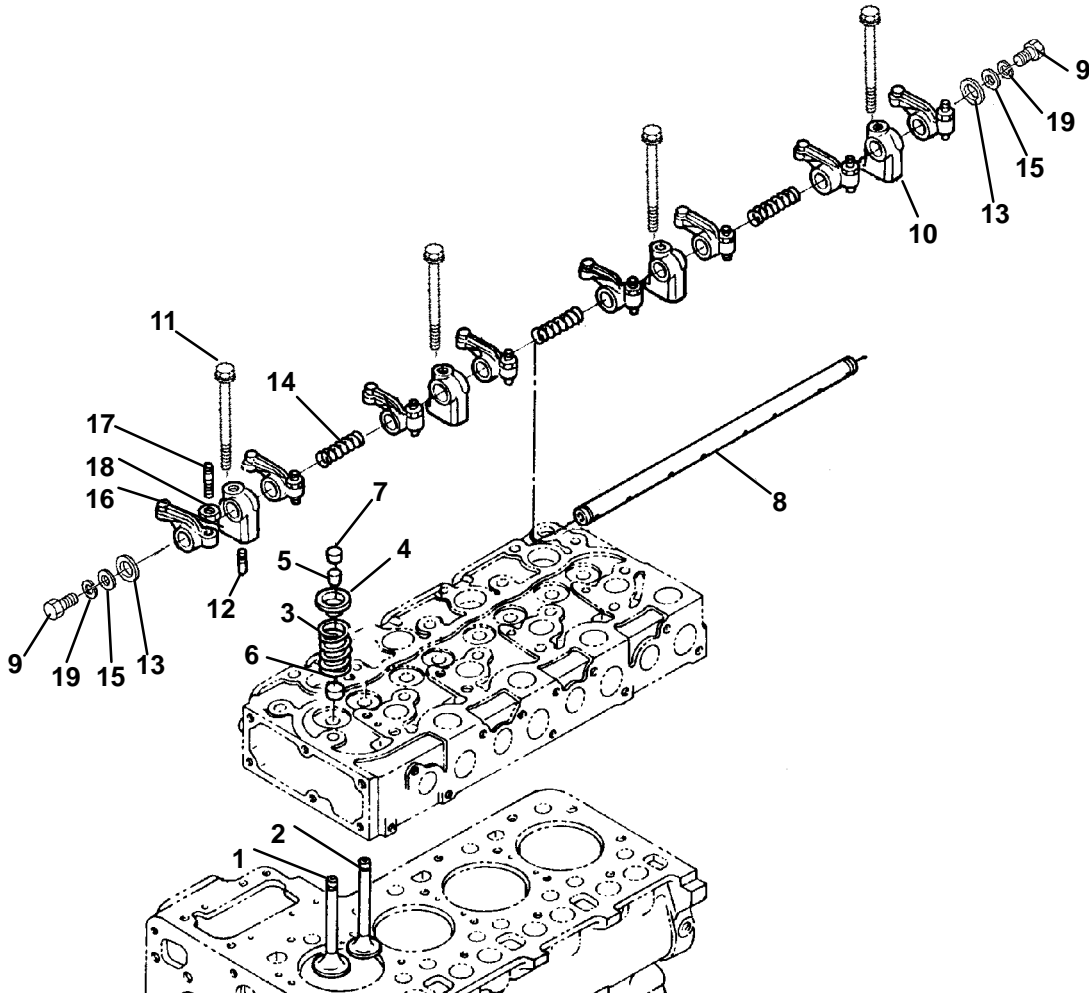
Item	Part Number	Description	Qty
1	25-37581-10	PUMP ASSY, WATER - INCLUDES:	1
2	NSS	BODY, WATER PUMP	1
3	25-37580-20	KIT, WATER PUMP - INCLUDES:	1
4	NSS	SHAFT, WATER PUMP	1
5	NSS	IMPELLER, WATER PUMP	1
6	NSS	SEAL, WATER PUMP	1
7	NSS	SLINGER	1
8	25-37574-00	GASKET, WATER PUMP	1
9	25-37580-05	FLANGE, WATER PUMP	1
10	25-37148-00	BOLT, M8 X 87 MM LONG, GRADE 7	3
11	25-39084-00	BOLT, M6-1.00 x 18MM	8
12	25-37671-00	STUD	2
13	25-35687-00	WASHER, SPRING	7
14	25-35685-00	NUT, HEX M8	2
15	25-35692-00	WASHER, SPRING, M6	8
16	25-38718-00	BOLT, M8-1.25 x 28MM	2

29. FAN



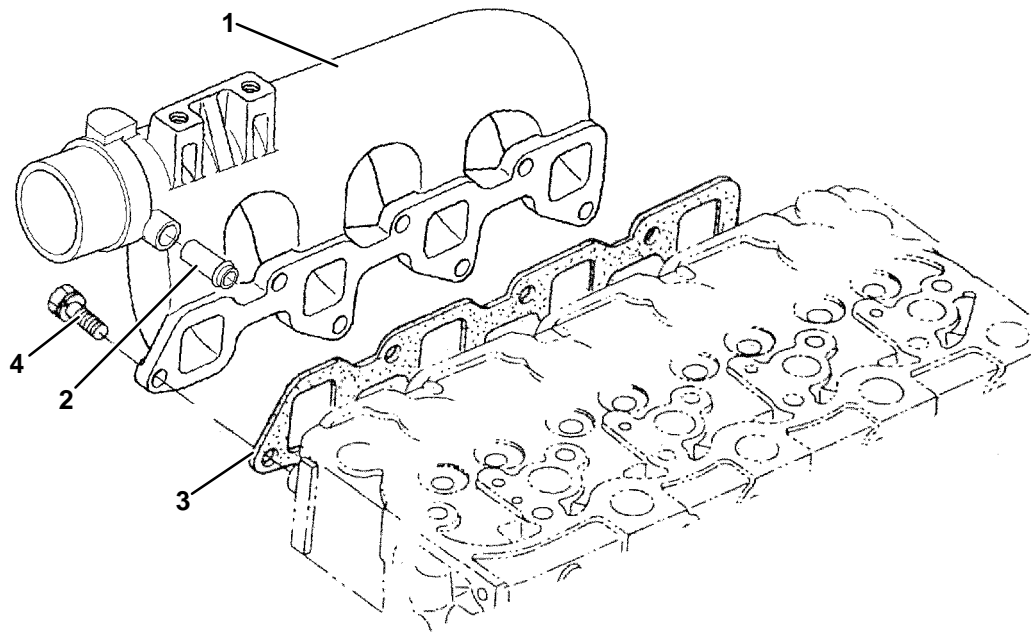
Item	Part Number	Description	Qty
1	25-39320-00	FAN	1
2	945721	BOLT	4

30. VALVES AND ROCKER ARMS



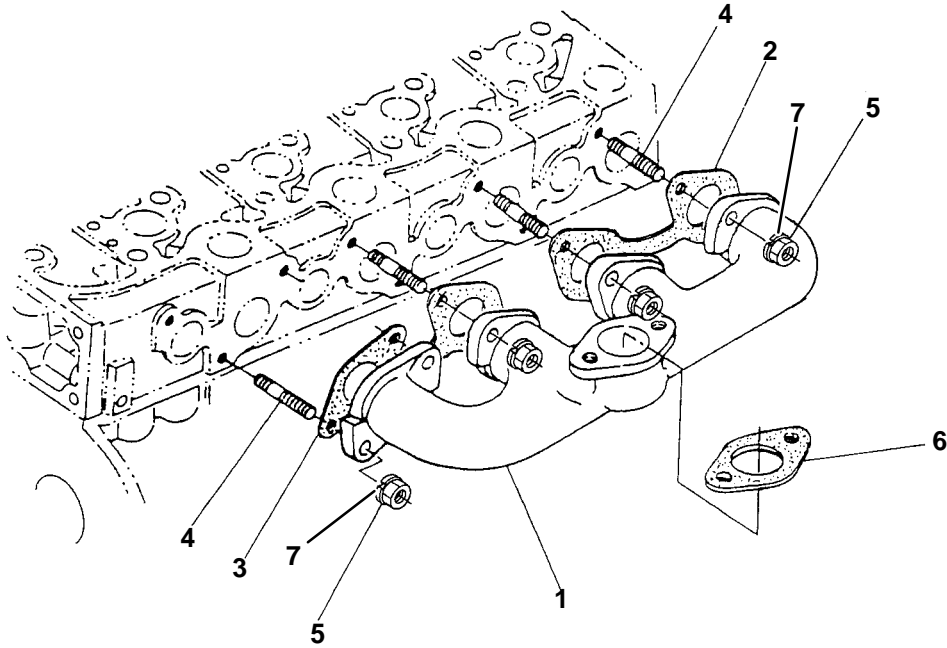
Item	Part Number	Description	Qty
1	25-39085-00	VALVE, INLET	4
2	25-39086-00	VALVE, EXHAUST	4
3	25-37262-00	SPRING, VALVE	8
4	25-37263-00	RETAINER, SPRING	8
5	25-37264-00	KEEPER, VALVE	8
6	25-39338-00	SEAL, VALVE STEM	8
7	25-37266-00	CAP, VALVE	8
8	25-39334-00	SHAFT, ROCKER ARM	1
9	25-37425-00	BOLT	2
10	25-37268-00	BRACKET, ROCKER ARM	4
11	25-39189-00	BOLT	4
12	25-39023-00	PIN, SPRING	1
13	25-37271-00	WASHER, ROCKER ARM SHAFT	2
14	25-37272-00	SPRING, ROCKER ARM	3
15	25-37686-00	WASHER, PLAIN	2
16	25-39090-00	ROCKER ARM - INCLUDES:	8
17	25-37276-00	SCREW, ROCKER ARM ADJUSTING	8
18	25-37277-00	NUT, ROCKER ARM ADJUSTING	8
19	25-35687-00	WASHER, SPRING	8

31. INTAKE MANIFOLD



Item	Part Number	Description	Qty
1	25-39332-00	MANIFOLD, INTAKE - INCLUDES:	1
2	25-38727-00	PIPE, WATER RETURN	1
3	25-38076-00	GASKET, INTAKE MANIFOLD	1
4	25-37659-00	BOLT	7

32. EXHAUST MANIFOLD



Item	Part Number	Description	Qty
1	25-39335-00	MANIFOLD, EXHAUST	1
2	25-39336-00	GASKET, EXHAUST MANIFOLD	1
3	25-39337-00	GASKET, EXHAUST MANIFOLD	1
4	25-37237-00	STUD	8
5	25-35685-00	NUT, HEX, M8	8
6	25-37238-00	GASKET, MUFFLER FLANGE	1
7	25-35687-00	WASHER, SPRING	8

33. GASKET SET - (CT4-134TV ONLY)**NOTE: REFER TO APPROPRIATE GROUP FOR ILLUSTRATION**

GROUP	ITEM	PART NO.	DESCRIPTION	QTY
NS	NS	25-39314-00	GASKET KIT - INCLUDES:	1
2.	3	25-39027-00	GASKET,OIL PAN	1
4.	8	25-39054-00	GASKET, GEAR CASE	1
4.	23	25-37156-00	GASKET, WATER RETURN FLANGE	1
10.	13	25-39376-00	GASKET, MAIN BEARING CASE	1
10.	12	25-38717-00	GASKET, MAIN BEARING CASE COVER	1
31.	3	25-38076-00	GASKET, INTAKE MANIFOLD	1
32.	2	25-39336-00	GASKET, EXHAUST MANIFOLD	1
32.	3	25-39337-00	GASKET, EXHAUST MANIFOLD	1
32.	6	25-37238-00	GASKET, MUFFLER FLANGE	1
5	4	25-38713-00	GASKET, VALVE COVER	1
8.	2	25-37041-00	GASKET, OIL PUMP	1
19.	13	25-37500-01	GASKET, SPEED CONTROL PLATE	1
15.	14	25-37537-00	GASKET, PUMP COVER	1
27.	3	25-37561-00	GASKET, THERMOSTAT FLANGE	1
28.	8	25-37574-00	GASKET, WATER PUMP	1
27.	13	25-37558-00	GASKET, THERMOSTAT HOUSING	1
3.	15	25-35032-00	O-RING	2
4.	3	25-37142-00	O-RING	6
4.	5	25-37143-00	O-RING	1
12.	16	25-37389-00	O-RING	1
2.	14	25-39032-00	O-RING	1
6.	4	25-39057-00	O-RING	1
7.	3	25-37310-00	O-RING	1
15.	5	25-39266-00	O-RING	1
19.	8	25-39200-00	SEAL,O-RING	1
21.	2	25-38664-00	O-RING	1
21.	8	25-38667-00	O-RING	1
4.	4	25-39363-00	O-RING	1
1./ 21.	15/ 16	25-35136-05	GASKET, COPPER O-RING	9
15.	11	25-36830-00	SEAL, OIL	1
10.	9	25-37198-00	SEAL, REAR OIL	1
30.	6	25-39338-00	SEAL, VALVE STEM	8
12.	20	25-37396-01	SEAL,O-RING	1

34. GASKET SET - (CT4-134TV ONLY) - Continued**NOTE: REFER TO APPROPRIATE GROUP FOR ILLUSTRATION**

GROUP	ITEM	PART NO.	DESCRIPTION	QTY
19.	3	25-37492-00	GASKET, COPPER O-RING	1
17.	3	25-37589-00	GASKET, COPPER O-RING	2
6.	3	25-39056-00	O-RING	1
2.	4	25-39028-00	GASKET,OIL PAN COVER, 2 PIECES	1
16.	2	25-39171-00	GASKET, FUEL SOLENOID	1
2.	9	25-36739-00	GASKET, COPPER O-RING	1
2.	11	25-35045-00	GASKET, COPPER O-RING	1
20.	6	25-39147-00	SEAL, HEAT	4
20.	5	25-34216-00	GASKET	4
3.	14	25-38532-00	GASKET, CYLINDER HEAD	1
S INDICATES PARTS THAT ARE IN THE KIT BUT ARE NOT USED ON THIS ENGINE				

PART NUMBER INDEX

PART NO.	PAGE NO.	PART NO.	PAGE NO.	PART NO.	PAGE NO.
25-15004-00	1	25-36739-00	2, 36	25-37155-00	4
25-15020-00	3	25-36830-00	16, 35	25-37156-00	4, 35
25-15032-00	4	25-37026-00	1	25-37191-01	10
25-15070-00	7	25-37028-00	1	25-37197-00	35
25-15071-00	7	25-37029-00	1	25-37198-00	10
25-15301-00	20	25-37032-00	1	25-37237-00	18, 29, 34
25-34169-00	11, 13	25-37033-00	1	25-37238-00	34, 35
25-34216-00	21, 36	25-37034-00	1	25-37262-00	32
25-34222-00	21	25-37035-00	1	25-37263-00	32
25-35031-00	1	25-37036-00	1	25-37264-00	32
25-35032-00	3, 35	25-37040-00	8	25-37266-00	32
25-35045-00	2, 36	25-37041-00	8, 35	25-37268-00	32
25-35136-05	1, 22, 35	25-37042-00	8	25-37271-00	32
25-35354-00	19	25-37043-00	8	25-37272-00	32
25-35389-00	15	25-37044-00	8	25-37276-00	32
25-35458-09	26	25-37045-00	8	25-37277-00	32
25-35524-00	20	25-37049-00	28	25-37310-00	7, 35
25-35531-00	3, 4	25-37077-00	2	25-37327-00	3
25-35678-00	20	25-37079-00	2	25-37384-13	12
25-35680-00	11	25-37106-00	3	25-37385-02	13
25-35684-00	17, 20, 22	25-37107-00	3	25-37386-00	13
25-35685-00	3, 18, 29, 30, 34	25-37108-00	3	25-37388-00	13
25-35687-00	3, 4, 14, 18, 25, 29, 30, 32, 34	25-37119-00	3	25-37389-00	13, 35
25-35692-00	8, 17, 20, 22, 30	25-37142-00	4, 35	25-37390-00	13
25-35695-00	19	25-37143-00	4, 35	25-37396-00	13
25-36197-00	5, 9	25-37144-00	4	25-37396-01	13, 35
25-36683-00	6	25-37146-00	4	25-37402-00	24
25-36715-00	22	25-37147-00	4	25-37418-00	6
25-36738-00SV	2	25-37148-00	4, 30	25-37421-01	14
		25-37149-00	4	25-37425-00	14, 32
		25-37151-00	4	25-37431-00	15
		25-37152-00	4	25-37433-00	15
		25-37154-00	4	25-37434-00	15

PART NUMBER INDEX

PART NO.	PAGE NO.	PART NO.	PAGE NO.	PART NO.	PAGE NO.
25-37436-00	15	25-37665-00	4	25-38663-00	22
25-37444-00	3	25-37671-00	30	25-38664-00	22, 35
25-37447-00	15	25-37672-00	17, 20	25-38666-00	22, 23
25-37449-00	22	25-37680-00	25	25-38666-01	23
25-37491-00	20	25-37681-00	22	25-38666-02	23
25-37492-00	20, 36	25-37686-00	20, 32	25-38666-03	23
25-37496-00	20	25-37690-00	22, 25	25-38666-04	23
25-37500-01	20, 35	25-37695-00	1, 4	25-38666-05	23
25-37502-00	20	25-37700-00	11, 13, 24	25-38666-07	23
25-37503-00SV	20	25-37738-00	27	25-38666-08	23
25-37536-00	16	25-37742-00	27	25-38666-09	23
25-37537-00	16, 35	25-38052-00	28	25-38666-10	23
25-37556-00	29	25-38053-00	28	25-38666-11	23
25-37557-00	29	25-38076-00	33, 35	25-38666-12	23
25-37558-00	29, 35	25-38105-00	11	25-38666-13	23
25-37560-01	29	25-38109-05SV	17	25-38666-14	23
25-37561-00	29, 35	25-38118-00	12	25-38666-16	23
25-37574-00	30, 35	25-38121-00	12	25-38667-00	22, 35
25-37580-05	30	25-38122-01	12	25-38668-00	22
25-37580-07	24	25-38122-02	12	25-38669-00	22
25-37580-20	30	25-38124-00	12	25-38670-00	22
25-37581-10	30	25-38124-01	12	25-38673-00	22
25-37588-00	18	25-38140-00	21	25-38674-00	22
25-37589-00	18, 36	25-38165-00	15	25-38712-00	5
25-37593-00	18	25-38283-00	29	25-38713-00	5, 35
25-37594-00	18, 22	25-38528-00	3	25-38714-00	5
25-37656-00	4	25-38532-00	3, 36	25-38717-00	10, 35
25-37657-00	2	25-38600-00	11	25-38718-00	6, 10, 30
25-37659-00	18, 33	25-38611-00	12	25-38719-00	9
25-37660-00	10	25-38611-01	12	25-38720-00	9
25-37662-00	29	25-38661-00	15	25-38727-00	9, 29, 33
25-37663-00	25	25-38662-00	22	25-38767-00	25
25-37664-00	29			25-38769-00	5

PART NUMBER INDEX

PART NO.	PAGE NO.	PART NO.	PAGE NO.	PART NO.	PAGE NO.
25-39000-00	14	25-39135-00	27	25-39247-00	26
25-39001-00	14	25-39147-00	21, 36	25-39249-00	26
25-39015-00	1	25-39148-00	21	25-39257-00	16
25-39021-00	2	25-39148-01	21	25-39262-00	16
25-39023-00	32	25-39148-02	21	25-39264-00	16
25-39026-00	2	25-39148-03	21	25-39266-00	16, 35
25-39027-00	2, 35	25-39153-00	11	25-39267-00	16
25-39028-00	2, 36	25-39155-00	21	25-39272-00	19
25-39029-00	2	25-39156-00	21	25-39273-00	19
25-39030-00	2	25-39171-00	17, 36	25-39274-00	19
25-39032-00	2, 35	25-39181-00	15	25-39276-00	2
25-39036-00	3	25-39182-00	15	25-39277-00	2
25-39037-00	3	25-39183-00	15	25-39292-00	2
25-39050-00	4	25-39185-00	27	25-39293-00	14
25-39051-00	4	25-39186-00	27	25-39314-00	35
25-39054-00	4, 35	25-39189-00	32	25-39315-00	18
25-39056-00	6, 36	25-39191-00	20	25-39316-00	25
25-39057-00	6, 35	25-39193-00	20	25-39320-00	31
25-39059-00	4	25-39194-01	20	25-39321-00	6
25-39066-00	4	25-39195-00	20	25-39323-00	26
25-39084-00	16, 30	25-39200-00	20, 35	25-39324-00	26
25-39085-00	32	25-39210-00	19	25-39325-00	26
25-39086-00	32	25-39213-00	19	25-39326-00	27
25-39090-00	32	25-39214-00	19	25-39327-00	26
25-39100-00	11	25-39215-00SV	16	25-39328-00	26
25-39103-00	19	25-39218-00	16	25-39329-00	26
25-39112-00	12	25-39236-01	29	25-39330-00	3
25-39113-00	3	25-39240-00	26	25-39332-00	33
25-39122-00	12	25-39241-00	26	25-39333-00	9
25-39123-00	6	25-39242-00	26	25-39334-00	32
25-39125-01	14	25-39245-00	26	25-39335-00	34
25-39126-00	14	25-39246-00	26	25-39336-00	34, 35
				25-39337-00	34, 35

PART NUMBER INDEX

PART NO.	PAGE NO.	PART NO.	PAGE NO.	PART NO.	PAGE NO.
25-39338-00	32, 35	25-39375-00	10	25-39401-00	13
25-39340-00	19	25-39376-00	10, 35	25-39402-00	13
25-39341-00	13	25-39377-00	10	25-39403-00	13
25-39345-00	1	25-39378-00	10	25-39404-00	13
25-39347-00	13	25-39379-00	10	25-39405-00	13
25-39349-00	1	25-39380-00	10	25-39406-00	21
25-39354-00	21	25-39382-00	11	25-39412-00	12
25-39358-00	1	25-39383-00	11	25-39413-00	12
25-39360-00	1	25-39384-00	11	25-39414-00	12
25-39361-00	1	25-39385-00	11	25-39415-00	12
25-39362-00	1	25-39386-00	11	25-39416-00	12
25-39363-00	4, 35	25-39387-00	11	29-50052-50	23
25-39364-00	15	25-39388-00	11	29-70123-00	26
25-39365-00	15	25-39389-00	11	29-70223-00	27
25-39366-00	15	25-39390-00	18	29-70227-00	27
25-39367-00	16	25-39391-00	18	30-00463-00	6
25-39368-00	16	25-39392-00	18	44-00045-01	9
25-39370-00	3	25-39393-00	18	44-00045-06	29
25-39371-00	10	25-39394-00	19	44-00045-25	21
25-39372-00	10	25-39395-00	19	58-00659-00	21
25-39373-00	10	25-39396-00	20	941598	27
25-39374-00	10	25-39400-00	13	944030	15
				945721	31



Carrier

A United Technologies Company

Carrier Transicold Division, Carrier Corporation
Truck/Trailer & Container Products Groups
P.O. Box 4805
Syracuse, N.Y. 13221 U.S.A.

www.carrier.transicold.com



A member of the United Technologies Corporation family. Stock symbol UTX
2004 Carrier Corporation D Printed in U. S. A. 0404