

Service Parts List

COMPRESSOR

MODEL 05G

CONTENTS

Introduction	iii
Introduction	iv
Einführung	v
Introducción	vi
Introduzione	vii
Introduktie	viii
1. Tool / Oils / Fittings	1
2. Crankcase and suction service valve	2
3. Compressor base group	3
4. Bearing head and oil pump	4
5. Unloaders	6
6. Crankshaft, rod and piston group	8
7. Shaft end group	9
8. Side cylinder head	10
9. Center cylinder head	10
10. Valve plate assembly	11
11. Gasket set – Fiber universal	12
12. Gasket set – Metal	13



Carrier

A United Technologies Company

Carrier Transicold E.T.O. - B.P. 16 - 76520 Franqueville-Saint-Pierre - FRANCE
Carrier Transicold Division, Carrier Corporation, P.O. Box 4805, Syracuse, N.Y. 13221

05G Compressor

MODEL CHARTS

MODEL	PART NO.	USED ON	REMARKS
05GX-37CFM	17-44501-00	NDB/NDS/NDF NDJ – Prior to S/N AAN	Remanufactured compressors (less service valves), for use with or without unloaders.
05GX-37CFM	18-00059-126RM	NDA Phoenix Extra	
05GX-37CFM	18-00059-128RM	NDM Extra/Ultra Standby	
05GX-41CFM	18-00059-127RM	NDA/NDX Phoenix Ultra/Ultima	
05GX-41CFM	18-00059-129RM	NDM Ultra Standby	
05GX-37CFM	18-00059-130RM	Supra 922/944	

05G Compressor

INTRODUCTION

This parts lists identifies service replacement parts for the CARRIER TRANSICOLD 05G compressor.

Detailed parts identification for these items may be found in the applicable parts lists.

ORDERING INSTRUCTION

All orders and inquiries for parts must include:

- Unit Serial Number
- Description of part as shown on list
- Part No.
- Quantity required

Address all correspondence for parts to the following address according to your living area.

You live in:	EUROPE (East/West) AFRICA - MIDDLE EAST	E.T.O.	AMERICA (North/Middle/South) N.A.O.
Address your orders to:	CARRIER TRANSICOLD E.T.O. 10-12 Boulevard de l'Oise F-95031 CERGY-PONTOISE Phone : (33).1.34.43.48.00 Fax : (33).1.34.43.48.48		CARRIER TRANSICOLD Division Replacement Components Group TR-20 P.O. Box 4805, Syracuse, NY 13221 or Fax to : (315) 432.3778

GENERAL NOTES

To find replacement parts, determine major group in which replacement part is located, consult table of contents for the appropriate page for the illustrated breakdown of the replacement part.

The following letter designations are used to classify parts throughout this list.

A/R	As Required.	NSS	<i>Not Sold Separately - order next higher assembly or kit.</i>
NLO	<i>No Longer Offered.</i>	PL	<i>Purchase Locally.</i>
NS	<i>Not Shown in the illustration.</i>	SST	<i>Stainless Steel - 300 Series unless otherwise specified.</i>
NSA	Non-Stock Assembly - order components listed under the assembly	SV - SK	<i>Suffix SV - SK added to part number</i>
NSI	<i>Non-Stock - may be available on special order</i>		

05G Compressor

INTRODUCTION

Ce manuel pièces de rechange rassemble toutes les pièces détachées du compresseur CARRIER TRANSICOLD 05G.

INSTRUCTION DE COMMANDE

Toutes les commandes et demandes de pièces détachées devront comporter :

- le N° de série du groupe
- le N° de code
- la désignation de la pièce et son repère sur la planche
- la quantité demandée

Adresser toute correspondance à l'adresse suivante suivant votre lieu de résidence.

Vous habitez :	EUROPE (Est/Ouest) AFRIQUE - MOYEN ORIENT	E.T.O.	AMERIQUE (Nord/Centre/Sud) N.A.O.
Adressez vos commandes à :	CARRIER TRANSICOLD E.T.O. 10-12 Boulevard de l'Oise F-95031 CERGY-PONTOISE Tél : (33).01.34.43.48.00 Fax : (33).01.34.43.48.48		CARRIER TRANSICOLD Division Replacement Components Group TR-20 P.O. Box 4805, Syracuse, NY 13221 or Fax to : (315) 432.3778

NOTES GENERALES

Pour trouver la pièce de rechange, déterminer l'ensemble principal dans lequel se trouve la pièce, consulter la table des matières pour trouver la page appropriée qui illustre l'ensemble contenant la pièce.

Les lettres suivantes sont utilisées pour classifier les pièces dans le manuel.

A/R	<i>Comme demandé.</i>	NSS	<i>Non vendu séparément. Commander l'ensemble qui inclut la pièce</i>
NLO	<i>Arrêté.</i>	PL	<i>A acheter localement.</i>
NS	<i>Non représenté sur la vue.</i>	SST	<i>Acier Inox Inox série 300 si non spécifié.</i>
NSA	<i>Non stocké assemblé. Commander les composants listés sous l'ensemble</i>	SV - SK	<i>Le suffixe SV SK ajouté au N° de code désigne un kit de pièces de rechange.</i>
NSI	<i>Non stocké. Peut être obtenu sur commande.spéciale</i>		

05G Compressor

EINFÜHRUNG

Vorliegendes Ersatzteilhandbuch schließt alle in dem CARRIER TRANSICOLD Kompressor 05G enthaltenen Ersatzteile ein.

BESTELLANWEISUNG

Bei Bestellungen und Anfragen für Ersatzteile sind folgende Angaben zu machen:

- Serien N° des Gerätes
 - Die Bezeichnung des Teiles und sein Kennzeichen auf der Explosionszeichnung
 - Die gewünschte Menge
 - Kodenummer
- Richten Sie bitte Ihre Korrespondenz an folgende Adresse, je nach Ihrem Standort:

Ihr Standort	EUROPA (Ost/West) AFRIKA - MITTL. OSTEN	E.T.O.	Nord/Zentral/Südamerika	N.A.O.
Richten Sie bitte Ihre Bestellungen an :	CARRIER TRANSICOLD E.T.O. 10-12 Boulevard de l'Oise F-95031 CERGY-PONTOISE Phone : (33).1.34.43.48.00 Fax : (33).1.34.43.48.48		CARRIER TRANSICOLD Division Replacement Components Group TR-20 P.O. Box 4805, Syracuse, NY 13221 or Fax to : (315) 432.3778	

ALLGEMEINES

Um das Ersatzteil zu finden, ist das Hauptbestandteil, in welchem dieses Teil sich befindet, zu bestimmen. Hierzu ist das Inhaltsverzeichnis vorzunehmen, um die entsprechende Seite mit der Explosionszeichnung zu finden.

Folgende Buchstaben werden zur Klassifizierung der Teile im Handbuch verwendet:

A/R	<i>Je nach Anfrage.</i>	NSS	<i>Nicht separat lieferbar. Bestellen Sie bitte die komplette Einheit, die dieses Teil enthält.</i>
NLO	<i>Nicht mehr lieferbar.</i>	PL	<i>Ist an Ort und Stelle zu besorgen.</i>
NS	<i>Nicht auf der Zeichnung dargestellt.</i>	SST	<i>Rostfreier Stahl (Inoxserie 300, falls nicht anders spezifiziert).</i>
NSA	<i>Nicht als Montagesatz gelagert. Bestellen Sie die Bestandteile gemäß der detaillierten Liste.</i>	SV-SK	<i>Das Suffix SV SK nach der Kodenummer kennzeichnet einen Ersatzteilkit.</i>
NSI	<i>Nicht gelagert. Kann auf spezielle Bestellung geliefert werden.</i>		

05G Compressor

INTODUCCIÓN

Este manual de recambios reúne todas las piezas de recambio del compresor CARRIER TRANSICOLD 05G.

INSTRUCCIONES PARA HACER UN PEDICO

En todos los pedidos de recambios habrá que especificar :

- el número de serie del equipo
- el número de código
- el nombre de la pieza y su lugar en la tabla
- la cantidad pedida

Enviar la correspondencia a la dirección siguiente según el lugar de residencia.

Vd Vive en :	EUROPA (Este/Oeste) AFRICA - Y MEDIO ORIENTE	E.T.O.	AMERICA (Norte/Central/Súr) N.A.O.
Dirigir los pedidos a :	CARRIER TRANSICOLD E.T.O. 10-12 Boulevard de l'Oise F-95031 CERGY-PONTOISE Phone : (33).1.34.43.48.00 Fax : (33).1.34.43.48.48		CARRIER TRANSICOLD Division Replacement Components Group TR-20 P.O. Box 4805, Syracuse, NY 13221 or Fax to : (315) 432.3778

NOTAS GENERALES

Para localizar el recambio, hay que determinar el conjunto principal al cual pertenece la pieza, consultar el índice para localizar la página correcta que ilustra el conjunto que incluye el recambio.

Las letras siguientes se utilizan para clasificar los recambios en el manual :

A/R	<i>Según pedido.</i>	NSS	<i>No se vende por separado. Pedir el conjunto incluye la pieza.</i>
NLO	<i>Fin de fabricación.</i>	PL	<i>Compra local.</i>
NS	<i>No está representado en el dibujo.</i>	SST	<i>Acero Inoxidable - Inox Seria 300 si no se especifica.</i>
NSA	<i>No se almacena montado. Pedir los componentes listados debajo del conjunto.</i>	SV-SK	<i>El sufijo SV-SK añadido al n° de código designa un kit de piezas de recambios.</i>
NSI	<i>No existe en stock. Puede conseguirse con un pedido especial.</i>		

05G Compressor

INTRODUZIONE

Questo manuale - parti di ricambio - raggruppa tutti i ricambi dei gruppi CARRIER TRANSICOLD 05G : si tratta di un gruppo le cui applicazioni comprendono la refrigerazione, il riscaldamento e lo sbrinamento delle casse frigorifere.

Per questi ultimi é necessario consultare il manuale delle parti di ricambio specifico.

ISTRUZIONI PER LA COMPILAZIONE DELL'ORDINE

Tutti gli ordini e le richieste di parti di ricambio dovranno comprendere :

- il N° matricola del gruppo
- il N° di codice
- la designazione del pezzo e il suo riferimento sull'esplosivo
- la quantità richiesta

Indirizzare la corrispondenza all'indirizzo seguente, secondo il vostro luogo di residenza.

Voi abitate :	EUROPA (Est/Ouest) AFRICA - MEDIO ORIENTE	E.T.O.	AMERICA (Nord/Centro/Sud)	N.A.O.
Indirizzate i vostri ordini a :	CARRIER TRANSICOLD E.T.O. 10-12 Boulevard de l'Oise F-95031 CERGY-PONTOISE Phone : (33).1.34.43.48.00 Fax : (33).1.34.43.48.48		CARRIER TRANSICOLD Division Replacement Components Group TR-20 P.O. Box 4805, Syracuse, NY 13221 or Fax to : (315) 432.3778	

NOTE GENERALI

Per cercare il pezzo di ricambio singolo, determinare l'insieme principale nel quale esso si trova, consultare l'indice per trovare la pagina corrispondente che illustra l'insieme che lo contiene.

Le lettere seguenti sono utilizzate per classificare i ricambi nel manuale :

A/R	<i>Come richiesto.</i>	NSS	<i>Non venduto separatamente : ordinare l'insieme che contiene il pezzo singolo.</i>
NLO	<i>Fuori produzione.</i>	PL	<i>Da comprare sul posto.</i>
NS	<i>Non rappresentato sul disegno.</i>	SST	<i>Acciaio Inox. Inox serie 300 se non è specificato.</i>
NSA	<i>Non disponibile assemblato : ordinare i componenti elencati sotto l'insieme.</i>	SV-SK	<i>Il suffisso SV-SKaggiunto al n° di codice indica un kit di parti di ricambio</i>
NSI	<i>Non in stock : puo essere attenuto con un ordine speciale.</i>		

05G Compressor

INTRODUKTIE

Deze onderdelen lijst beschrijft service en vervangings onderdelen van de CARRIER TRANSICOLD 05G transportkoelmachine's.

BESTEL INSTRUCTIES

Bij alle aanvragen van reserve onderdelen moeten vermeld zijn :

- Serienummer van de groep
- Code nummer
- Onderdeelbeschrijving + nummeraanduiding
- Gewenst aantal

Richt alle correspondentie aan het volgende adres :

U woont:	EUROPA (Oost/West) AFRICA - MIDDEN OOSTEN	E.T.O.	AMERIKA Noord/Centraal/Zuid) N.A.O.
Zend uw orders naar:	CARRIER TRANSICOLD E.T.O. 10-12 Boulevard de l'Oise F-95031 CERGY-PONTOISE Phone : (33).1.34.43.48.00 Fax : (33).1.34.43.48.48		CARRIER TRANSICOLD Division Replacement Components Group TR-20 P.O. Box 4805, Syracuse, NY 13221 or Fax to : (315) 432.3778

ALGEMENE OPMERKINGEN

Om de benodigde onderdelen te localiseren, richt u tot de groep waar het specifieke onderdeel zich bevindt, en raadpleeg de inhoudstabel voor de juiste pagina.

De onderstaande afkortingen worden gebruikt :

A/R	<i>Zoals gewenst.</i>	NSS	<i>Niet apart leverbaar, bestel bovengenoemde set.</i>
NLO	<i>Niet meer gebruikt.</i>	PL	<i>Koop dit onderdeel plaatselijk.</i>
NS	<i>Niet aangegeven in tekening.</i>	SST	<i>Roestvaststaal .300 serie tenzij anders aangegeven.</i>
NSA	<i>Niet als set leverbaar, bestel aparte onderdelen.</i>	SV-SK	<i>Achter het onderdeel betekent service onderdeel</i>
NSI	<i>Niet op voorraad, allen voor speciale orders leverbaar.</i>		

05G Compressor

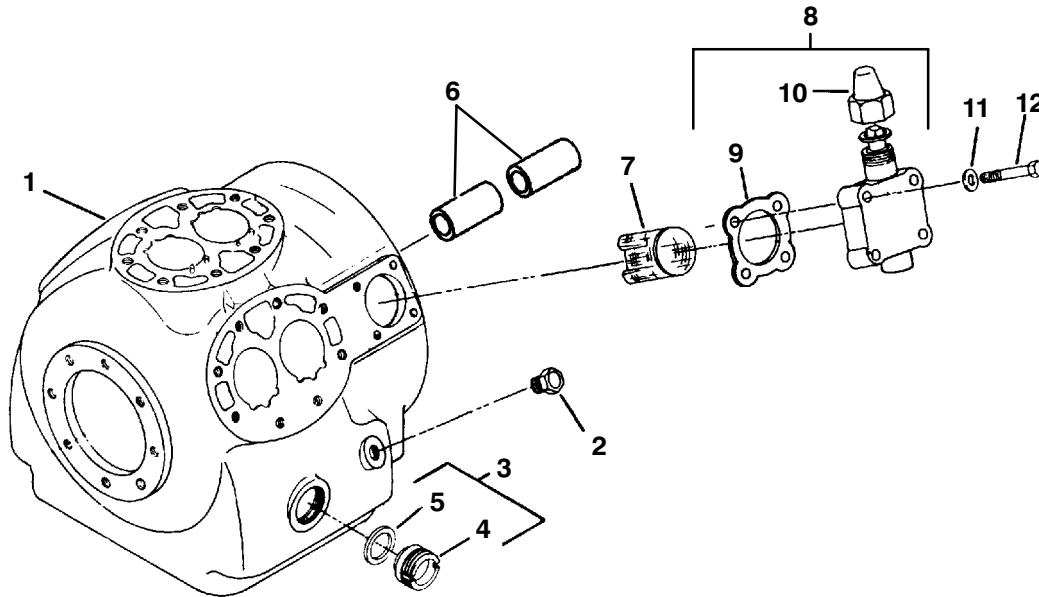
1. TOOL / OILS / FITTINGS

ITEM	PART NO.	DESCRIPTION
NS	07-00219-00	Wrench, Compressor Sight Glass
NS	07-00223-00	Pliers, Compressor Unloader Ring
NS	07-00260-00	Acid Test Kit, Mineral oils
NS	07-00337-00	Acid Test Kit, POE oils
NS	07-00265-01	Total Test Kit (Package of 1)
NS	07-00266-00	Replacement Tubes for Total Test Kit
NS	07-00274-00	Oil Synthetic 150 (1 gallon)
NS	07-00275-00	Oil Non-Synthetic 150 (1 gallon)
NS	07-00317-00	Oil POE 68 (1 gallon)
NS	07-00316-00	Meter, Refractometer for compressor oil
NS	17-55013-00	Kit, Unloader Valve Blank-off plate (hot gas by pass)
NS	17-21056-00	Kit, Unloader Valve Blank-off plate (suction cut out)
NS	17-13006-00	Kit Valve Pad Blank off 4 bolt Suction Service Valve
NS	17-13004-00	Kit Valve Pad Blank off 2 bolt Discharge Service Valve
NS	58-00869-00	Filter, Felt (Suction Sock for System Clean Up)
NS	17-13010-00	Fitting, Male 1/8 NPT X Male 1/4 Flare Access Port W/Shrader
NS	06DA403844	Fitting, Male 1/4 NPT X Male 1/4 Flare Access Port W/Shrader
NS	OTBO889	Fitting, Male 7/16-20 O-Ring X Male 1/4 Flare Access Port /Shrader
NS	07-00319-00	Bushing, Male 1/4 NPT X Female 7/16 O-Ring
NS	40-00528-02	Bushing, Male 7/16-20 O-Ring X Female 1/4 NPT
NS	40-00528-00	Bushing, Male 9/16-18 O-Ring X Female 1/4 NPT
NS	40-00121-01	Bushing, 1/4 NPT x 1/8 NPT
NS	40-00129-02	Elbow, Street 90 degree 1/4 MPT x 1/4 FPT
NS	40-00102-03	Elbow, 1/4 Flare x 1/8 NPT
NS	40-01166-00	Elbow, 90 degree Male 9/16-18 O-Ring X Female 1/4 NPT
NS	40-01166-01	Elbow, 90 degree Male 7/16-20 O-Ring X Female 1/4 NPT
NS	17-44037-00	Plug, 7/16-20 O-Ring
NS	17-44706-00	Plug, 9/16-18 O-Ring
NS	79-00965-00	Tee, Snubber 1/8 x 1/8 x 1/8

05G Compressor

ITEM	PART NO.	DESCRIPTION	QTY
------	----------	-------------	-----

2. CRANKCASE AND SUCTION SERVICE VALVE

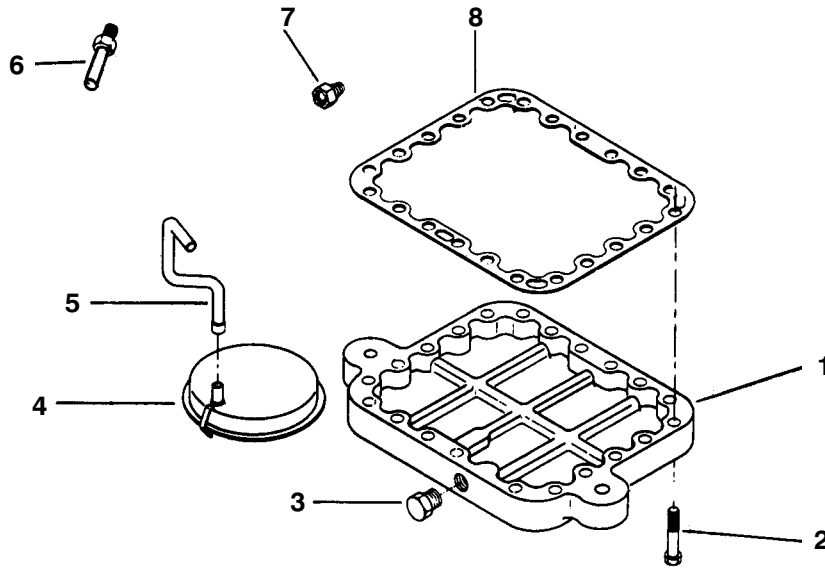


1	NSA	Crankcase	1
2	PL	Pipe Plug, 1/4-18 NPT	3
2	17-44037-00	Plug, with O-Ring 7/16-20	1
NS	42-00243-07	O-Ring, for 7/16-20 straight thread fittings	1
3	17-10218-00	Sight Glass, Oil Level – Includes:	2
4	NSS	Sight Glass	1
5	17-10218-02	Gasket (Fiber)	1
5	17-44021-00	Gasket (Metal)	1
6	17-44015-00	Bearing, Main Seal End (Requires Line Boring)	2
7	17-44005-00	Strainer, Suction	1
8	17-40002-01	Valve, Service, 1-3/8 ODF (4 Bolt) – Includes:	1
9	17-40005-05	Gasket, Service Valve (Fiber)	1
10	17-10812-00	Cap, Service Valve (Plastic) – Includes:	1
9	17-44141-00	Gasket, Service Valve (Metal)	1
10	17-10806-10	Cap, Service Valve (Brass)	1
11	17-40007-00	Gasket, Capscrew, 1/2	4
12	17-40006-00	Capscrew, Hex Head, 1/2-13 x 2-1/2 lg – SAE Grade 8	4
NS	17-13006-00	Kit Valve Pad Blank off 4 bolt Suction Service Valve	1
NS	17-13022-00	Packing, Service Valve Stem	1

05G Compressor

ITEM	PART NO.	DESCRIPTION	QTY
------	----------	-------------	-----

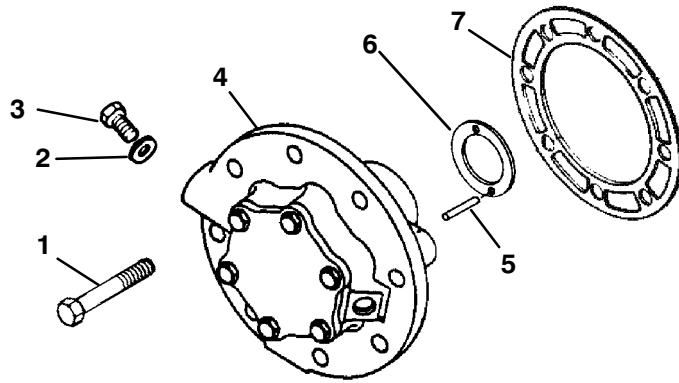
3. COMPRESSOR BASE GROUP



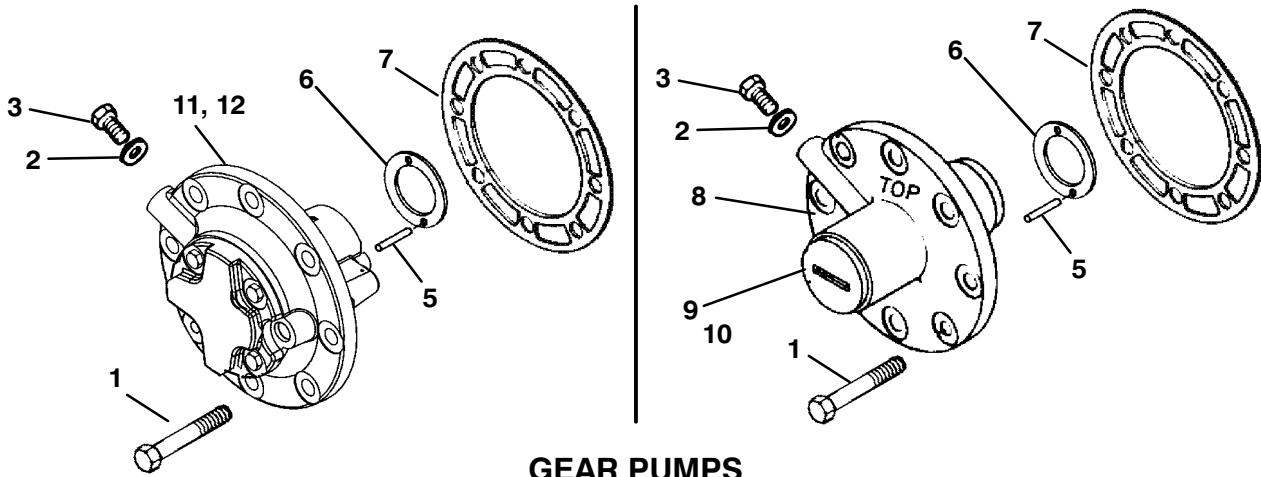
1	17-44035-00	Plate, Bottom Cover ("NON" Ultra Style Compressors)	1
1	17-44026-00	Plate, Bottom Cover (Ultra Style Compressors)	1
2	17-44117-00	Capscrew, Hex Head, 3/8-16 x 2-1/4 lg - SAE Grade 8	22
3	PL	Pipe Plug, 1/4-18 NPT	1
3	17-44037-00	Plug, with O-Ring 7/16-20	1
NS	42-00243-07	O-Ring, for 7/16-20 straight thread fittings	1
4	17-40020-00	Oil Filter Screen Assembly	1
5	17-40021-00	Tube, Oil Suction	1
6	17-44011-00	Oil Relief Valve	1
7	17-40042-00	Oil Return Check Valve Assembly	2
8	17-40033-05	Gasket, Bottom Plate (Fiber)	1
8	17-44129-00	Gasket, Bottom Plate (Metal)	1

05G Compressor

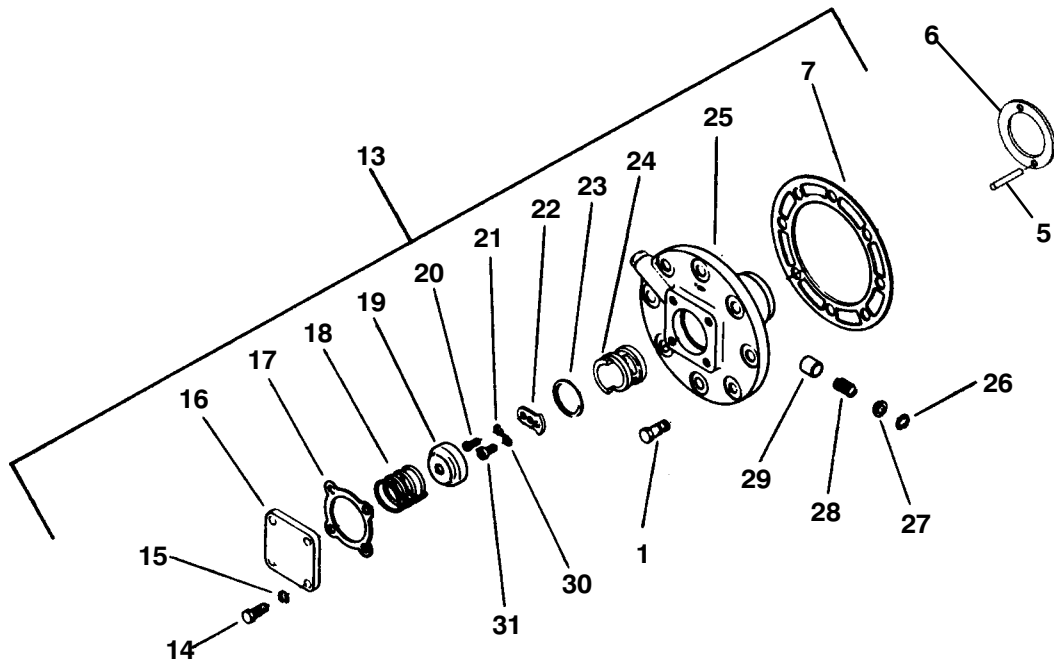
4. BEARING HEAD AND OIL PUMP



UNIVERSAL GEAR PUMP



GEAR PUMPS



VANE PUMP

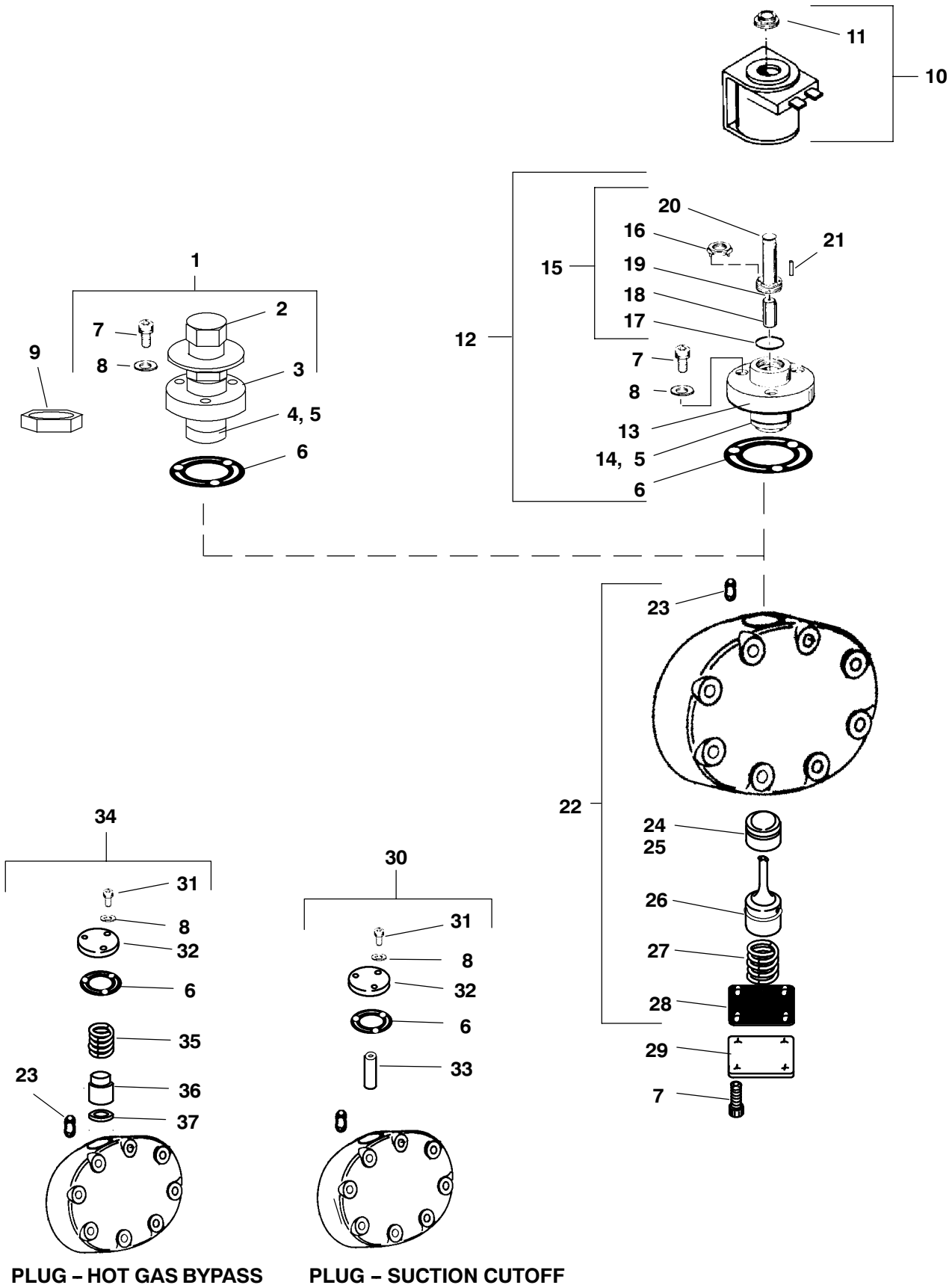
05G Compressor

ITEM	PART NO.	DESCRIPTION	QTY
4. BEARING HEAD AND OIL PUMP			
1	17-10308-00	Capscrew, Hex Head, 3/8-16 x 1-1/4 lg – SAE Grade 5	8
2	17-40019-00	Washer, Seal	1
2	42-00243-07	O-Ring, for 7/16-20 straight thread fittings	1
3	PL	Capscrew, 3/8-16 X3/4 lg	1
3	17-44037-00	Plug, with O-Ring 7/16-20	1
4	17-44137-00	Oil Pump and Bearing Head (Universal Gear Pump)	1
NS	17-44139-00	O-Ring, Pump cover plate	1
5	17-40204-00	Pin Roll, 1/8 dia X 1/2 lg	2
6	17-55009-01	Thrustwasher, Pump End	1
7	17-40078-05	Gasket, Bearing Head (Fiber)	1
7	17-44022-00	Gasket, Bearing Head (Metal)	1
8	SEE NOTE	Oil Pump and Bearing Head Assembly (Gear Pump)– Includes:	1
9	17-44033-01	Cover Assembly, Screw – Includes:	1
10	17-44033-02	O-Ring	1
11	SEE NOTE	Oil Pump and Bearing Head (Low Profile Gear Pump) – Includes:	1
12	42-00045-01	O-Ring	1
13	17-40200-02	Oil Pump and Bearing Head Assembly (Vane Pump) – Includes:	1
7	17-40078-05	Gasket, Bearing Head	1
14	17-40077-05	Capscrew, Hex Head, 5/16-18 x 3/4 – SAE Grade 8	4
15	17-40013-00	Gasket, Capscrew, 5/16	4
16	17-40076-00	Cover, Oil Pump	1
17	17-40075-05	Gasket, Oil Pump Cover	1
18	17-40069-00	Spring, Oil Feed Vane	1
19	17-40070-00	Guide, Oil Feed Vane	1
20	17-40072-00	Capscrew, Socket Head, #10-32 x 1/2 – SAE Grade B7	1
21	17-40073-00	Lockwasher, #10	1
22	17-40071-00	Drive Segment, Oil Pump	1
23	17-40068-00	Retaining Ring, Rotor	1
24	17-40067-00 (NSI)	Pump, Rotor	1
25	NSS	Head (Includes Bearing)	1
26	17-40066-00	Ring, Plunger Retaining	2
27	17-40065-00	Guide Plunger Vane Spring	2
28	17-40064-00	Spring Plunger	2
29	17-40063-00 (NSI)	Vane, Pump	2
30	17-10715-00	Lockwasher, 1/4	1
31	17-40074-01	Capscrew, Socket Head, 1/4-28 x 5/8 – SAE Grade B7	1

NOTE: 17-44033-10 and 17-44714-00 Oil Pump and Bearing Head Assemblies (Gear Pump) are **No Longer Offered use Item 4**

05G Compressor

5. UNLOADERS



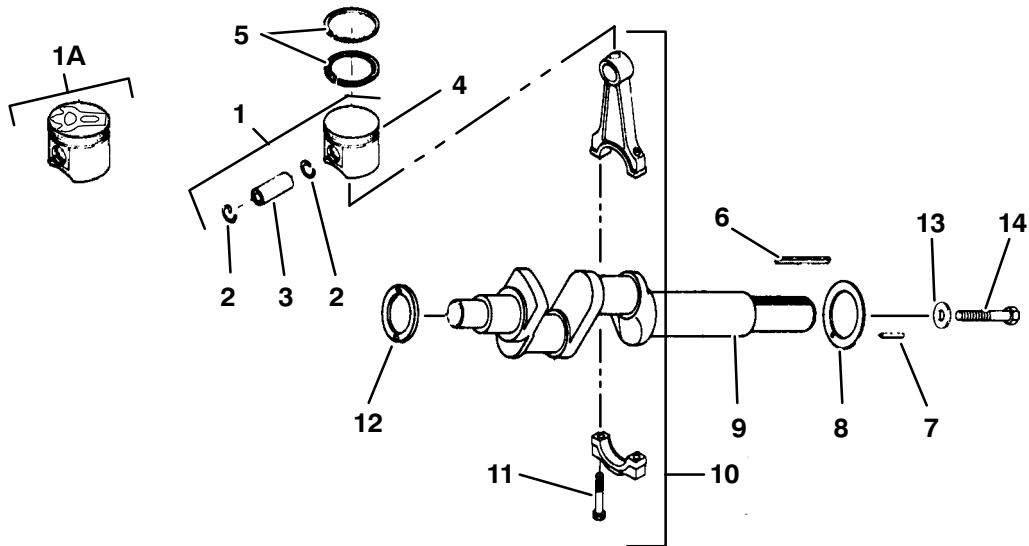
05G Compressor

ITEM	PART NO.	DESCRIPTION	QTY
5. UNLOADERS			
1	17-55018-01	Valve Assembly (Pressure) – Includes:	A/R
2	NSS	Power Assembly, Unloader (Suction Press Activated)	1
3	NSS	Body Assembly, Valve	1
4	17-40409-00	Piston (For Hot Gas Bypass Unloaders) – Includes:	1
5	17-55010-00	Ring, Piston	1
6	17-40104-07	Gasket, Unloader Valve	1
7	17-40111-00	Screw, Socket Head (1/4-28 x 0.75" lg)	1
8	17-40104-20	Gasket, Socket Head Screw (1/4)	1
9	34-01139-00	Nut, Unloader Adjuster Lock	
10	22-02567-00	Coil, Valve (12 v-dc with Spade Terminal) – Includes:	A/R
10	14-00143-07	Coil, Valve (12 v-dc) – Includes:	A/R
10	22-50030-00	Coil, Valve (24 v-dc) – Includes:	A/R
10	22-02567-01	Coil, Valve (24 v-ac) – Includes:	A/R
10	16-00149-00	Coil, Valve (115 v-ac) – Includes:	A/R
10	17-10829-00	Coil, Valve (230 v-ac) – Includes:	A/R
11	17-40408-02	Cap, Snap	1
12	17-40407-20	Valve Assembly (Electric) – Includes:	A/R
13	NSS	Body Assembly, Valve	1
14	17-40409-00	Piston (For Hot Gas Bypass Unloaders) – Includes:	1
5	17-55010-00	Ring, Piston	1
15	16-00143-01	Kit, Valve Body – Includes:	1
16	NSS	Installation/Remover Tool	1
17	17-55022-00	Gasket, O-Ring	1
18	NSS	Plunger Assembly	1
19	NSS	Spring, Plunger	1
20	NSS	Tube, Enclosing	1
21	34-06026-00	Pin, Unloader Coil Retainer	
11	17-40408-02	Cap, Snap	1
6	17-40104-07	Gasket, Unloader Valve	1
7	17-40111-00	Screw, Socket Head (1/4-28 x 0.75" lg)	3
8	17-40104-20	Gasket, Socket Head Screw (1/4)	3
22	17-21055-00	Kit, Repair (For Suction Cutoff Unloaders) – Includes:	2
23	17-40108-00	Strainer	1
24	17-21047-00	Ring, Piston	1
25	NSS	Piston	1
26	NSS	Body, Valve	1
27	17-21044-00	Spring, Compression	1
28	17-21046-00	Gasket, Valve Cover	1
6	17-40104-07	Gasket, Unloader Valve	1
29	17-21045-00	Cover, Valve	1
30	17-21056-00	Kit, Plug (Suction Cutoff To Fully Loaded) – Includes:	A/R
31	17-10721-00	Capscrew, Socket (1/4-28 x 1.00" lg)	3
32	NSS	Plate, Cover	1
33	NSS	Sleeve, Plug	1
6	17-40104-07	Gasket, Unloader Valve	1
8	17-40104-20	Gasket, Screw (1/4)	3
34	17-55013-00	Kit, Plug (Hot Gas Bypass To Fully Loaded) – Includes:	A/R
35	NSS	Spring	1
36	NSS	Plug	1
37	17-55014-00	Ring, Seat	1
6	17-40104-07	Gasket, Unloader Valve	1
8	17-40104-20	Gasket, Screw (1/4)	3
23	17-40108-00	Strainer	1
31	17-10721-00	Capscrew, Socket (1/4-28 x 1.00" lg)	3
32	NSS	Plate, Cover	1

05G Compressor

ITEM	PART NO.	DESCRIPTION	QTY
------	----------	-------------	-----

6. CRANKSHAFT, ROD AND PISTON GROUP



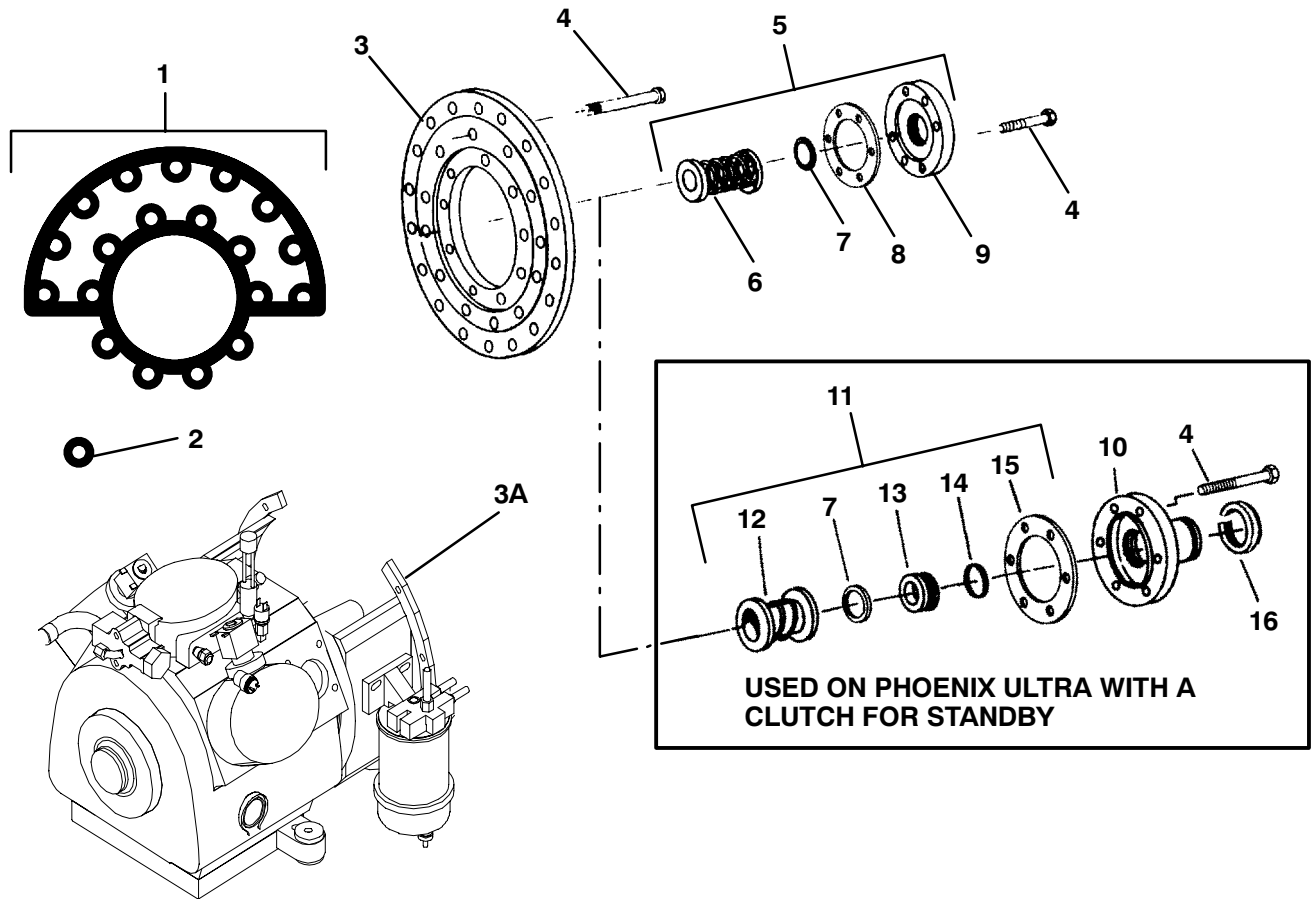
*1A	17-44016-05	Piston & Pin (Standard-Contoured Head - 37 cfm) - Includes:	6
*1A	17-44016-07	Piston & Pin (.020 Over-Contoured Head - 37 cfm) - Includes:	A/R
*1A	17-44115-01	Piston & Pin (Standard-Contoured Head- 41 cfm)- Includes:	6
*1A	17-44115-20	Piston & Pin (.020 Over-Contoured Head- 41 cfm)- Includes:	6
1	17-44045-01	Piston & Pin (Standard - 37 cfm) - Includes:	6
1	17-44045-03	Piston & Pin (.020 Over - 37 cfm) - Includes:	A/R
2	17-40053-00	Retainer, Piston Pin	2
3	NSS	Pin, Piston	1
4	NSS	Piston	1
5	17-40055-00	Ring, Compression (Standard)	12
5	17-55025-00	Ring, Compression (.020 Inch Oversize)	12
5	17-40054-00	Ring, Oil (Used on old 37 cfm pistons with wider lower ring groove)	A/R
6	17-40324-00	Key, Crankshaft, 1/4 x 1/4 x 1-1/2 lg	1
6	68G2-9072	Key, Crankshaft (For Units With Clutch Hub)	1
7	17-44036-00	Pin, Spiral, 1/8 x 1/2 lg	2
8	17-44008-00	Thrustwasher, Seal End	1
9	17-44010-00	Crankshaft (37 cfm Vane Pump) - Includes:	1
9	17-40410-00	Crankshaft (37 cfm "All" Gear Pumps) - Includes:	1
9	17-40412-00	Crankshaft Assembly (41 cfm "All" Gear Pump) - Includes:	1
NS	17-40312-00	Expansion Plug (Vane Pump)	2
NS	17-40317-00	Expansion Plug (Gear Pump)	2
NS	PL	Setscrew, 1/4-28 x 1/2 lg	1
NS	NSS	Counterweight	1
NS	PL	Screw, Hex Head, 1/4-20 x 7/8 lg	2
10	17-40056-02	Connecting Rod & Cap Assembly (Standard) - Includes:	6
10	17-40056-21	Connecting Rod & Cap Assembly (.010) - Includes:	A/R
NS	17-40057-00	Pin, Dowel	2
11	17-55008-00	Capscrew (Special)	2
12	17-55009-01	Thrustwasher, Pump End	1
13	34-00616-00	Washer, 13/32 ID x 1-1/2 OD x 3/16 Thick	1
14	34-00613-07	Capscrew, Hex Head, 3/8 UNF x 7/8 - SAE Grade 8	1

*For Refrigeration Use Only

05G Compressor

ITEM	PART NO.	DESCRIPTION	QTY
------	----------	-------------	-----

7. SHAFT END GROUP



1	17-44001-06	Gasket, Shaft End Cover (Fiber) – Includes:	1
1	17-44119-00	Gasket, Shaft End Cover (Metal) – Includes:	1
2	17-44014-00	Gasket, Flange Spacer	2
3	17-44002-00	Flange, Mounting Shaft End (Non Ultra Style)	1
3A	17-44025-00	Flange, Mounting Shaft End (Ultra Style)	2
4	17-10308-00	Capscrew, 3/8-16 x 1-1/4 lg – SAE Grade 5	21
5	17-44130-00	Seal Assembly (Standard) – Includes:	1
5	17-44145-00	Seal Assembly (Silicone Carbide) – Includes:	1
6	NSS	Seal Shaft	1
7	17-44131-01	Washer, Carbon	1
8	17-44004-06	Gasket, Seal Cover – Steel	1
9	NSS	Seal Cover, Shaft (Standard)	1
9	NSS	Seal Cover, Shaft (Silicone Carbide)	1
NS	17-44043-02	O-Ring Used with Silicone Carbide	1

THE FOLLOWING PARTS ARE USED ON PHOENIX ULTRA WITH A CLUTCH FOR STANDBY

10	17-44019-00	Hub, Clutch Mounting	1
NS	17-44042-00	Felt ring and Retainer	1
11	17-44140-00	Seal Assembly (Standard) – Includes:	1
11	17-44150-00	Seal Assembly (Silicone Carbide) – Includes:	1
7	17-44131-01	Washer, Carbon	1
12	NSS	Seal Shaft	1
13	NSS	Ring, Wear (Silicone Carbide)	1
14	17-44043-02	O-Ring	1
15	17-44004-05	Gasket, Seal Cover (Fiber)	1
15	17-44004-06	Gasket, Seal Cover (Metal)	1
16	50-00221-30	Ring, Snap	1

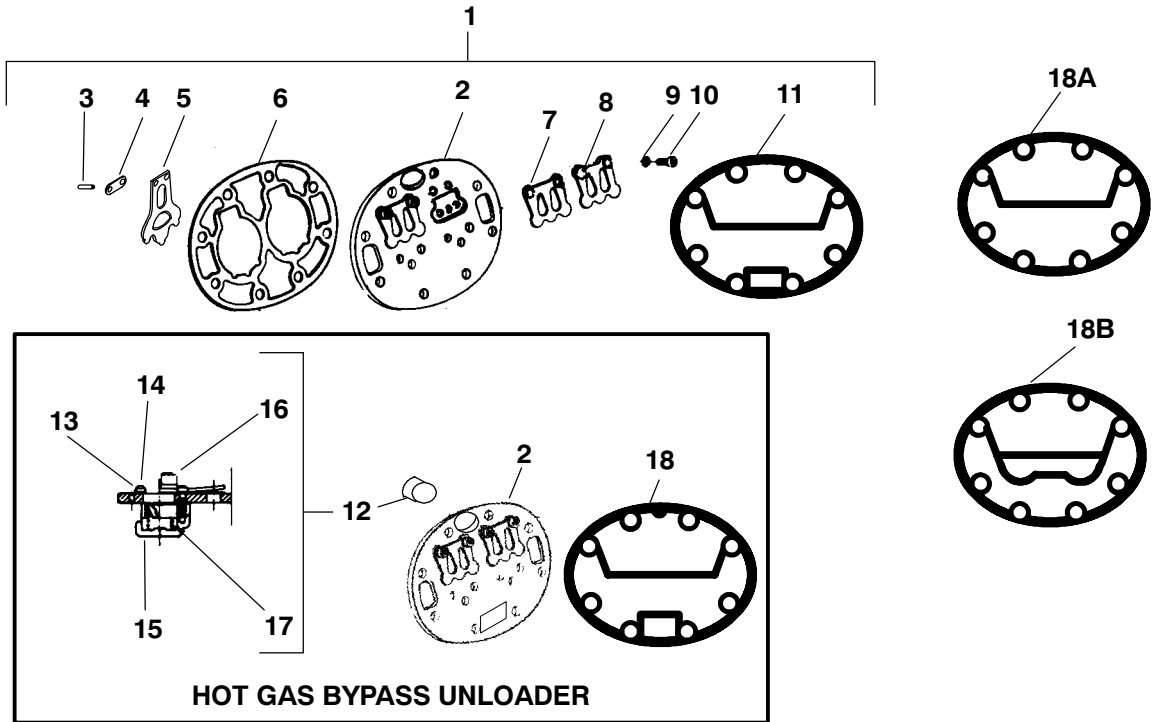
05G Compressor

ITEM	PART NO.	DESCRIPTION	QTY				
8. SIDE CYLINDER HEAD							
<table border="0" style="width: 100%; border-collapse: collapse;"> <tr> <td style="width: 10%; text-align: center;">UNLOADER CYLINDER HEAD</td> <td style="width: 10%; text-align: center;">NO UNLOADER</td> <td style="width: 10%; text-align: center;">SHAVED HEAD</td> <td></td> </tr> </table>				UNLOADER CYLINDER HEAD	NO UNLOADER	SHAVED HEAD	
UNLOADER CYLINDER HEAD	NO UNLOADER	SHAVED HEAD					
1	17-40108-00	Strainer	2				
2	17-21041-00	Cylinder Head – Side Banks (Suction Cutoff Unloader)	2				
2	17-40104-05	Cylinder Head – Side Banks (Hot Gas Bypass Unloader)	2				
3	17-10224-05	Capscrew, Hex Head, 3/8-16 x 3-1/4 lg – SAE Grade 8	16				
4	17-44017-00	Stud, Cylinder Head, 3/8-16 x 4-1/4 lg	A/R				
5	17-40015-00	Cylinder Head – Side Bank (No Unloader)	2				
6	17-44116-00	Capscrew, Hex Head, 3/8-16 x 2-3/4 lg – SAE Grade 8	16				
7	17-44017-01	Stud, Cylinder Head, 3/8-16 x 3-3/4 lg	A/R				
8	17-21040-00	Cylinder Head – Side Bank (Shaved)	A/R				
9	17-40034-05	Capscrew, Hex Head, 3/8-16 x 2 lg – SAE Grade 8	6				
10	17-40037-05	Capscrew, Hex Head, 3/8-16 x 1 lg – SAE Grade 8	2				
11	17-44732-00	Stud, Cylinder Head, 3/8-16 x 2 lg	A/R				
9. CENTER CYLINDER HEAD							
1	17-40012-00	Capscrew, Hex Head, 5/16-18 x 2 lg – SAE Grade 8	2				
2	17-40013-00	Gasket, Capscrew, 5/16	2				
3	14-01042-04	Valve, Service 7/8 ODF – Includes:	1				
3	14-01042-03	Valve, Service 1-1/8 ODF – Includes:	1				
4	17-10812-00	Cap, Service Valve (Plastic)	1				
5	17-10811-05	Gasket, Service Valve (Fiber)	1				
4	17-10806-10	Cap, Service Valve (Brass)	1				
6	17-40016-01	Cylinder Head – Center Bank	1				
7	17-10224-05	Capscrew, Hex Head, 3/8-16 x 3-1/4 lg – SAE Grade 8	8				
8	PL	Pipe Plug 1/4-18 NPT	2				
9	17-44017-00	Stud, Cylinder Head, 3/8-16 x 4-1/4 lg	A/R				
NS	17-13004-00	Kit Valve Pad Blank off 2 bolt Discharge Service Valve	1				
NS	17-13022-00	Packing, Service Valve Stem	1				

05G Compressor

ITEM	PART NO.	DESCRIPTION	QTY
------	----------	-------------	-----

10. VALVE PLATE ASSEMBLY

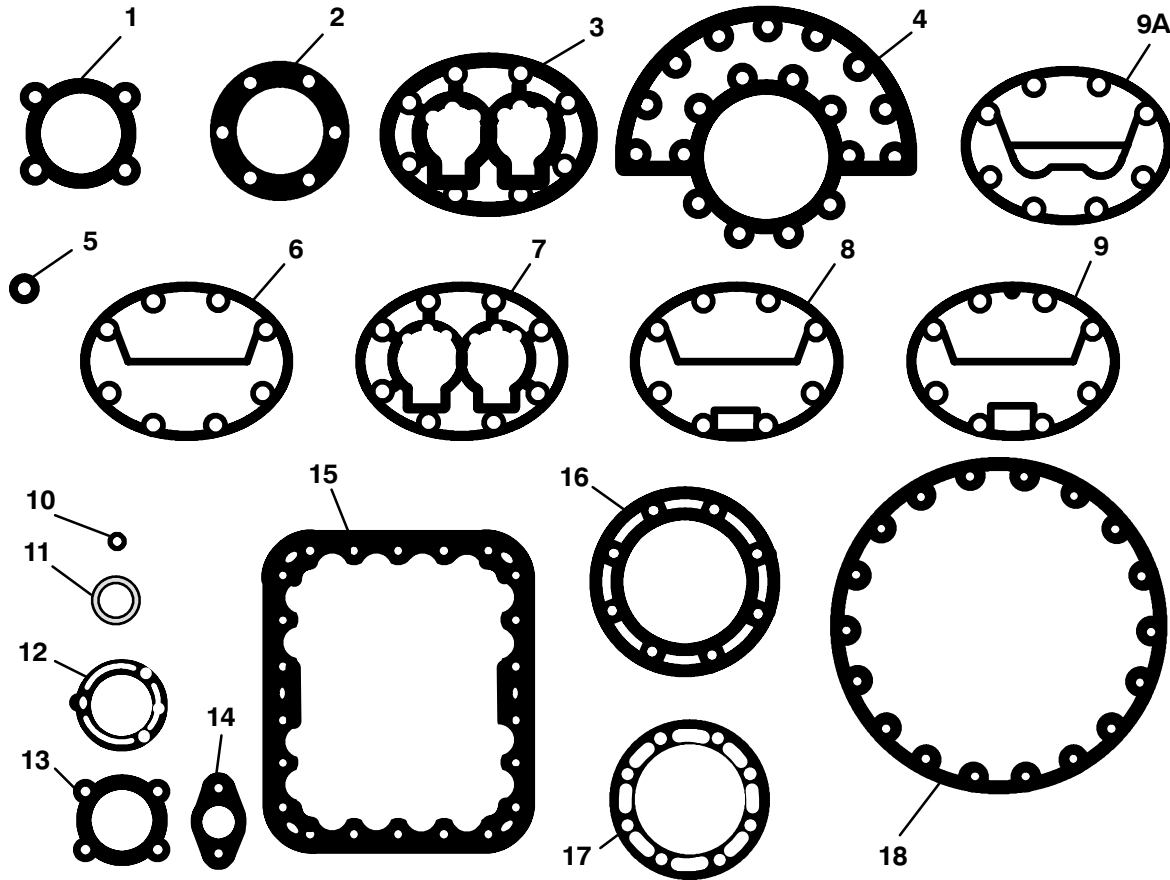


1	17-44104-00	Valve Plate (Canted Narrow Seat, Side Bank with hot gas bypass unloader) –Includes:	1
1	17-44105-00	Valve Plate (Canted Narrow Seat, Center or Side with suction cutoff unloader or No unloader) – Includes:	1
2	NSS	Valve Plate	1
3	17-40057-00	Dowel, Pin Suction Valve	4
4	17-40083-00	Spring, Suction Valve Position	2
5	17-44111-00	Valve, Suction (0.018) – 05G and 05K	2
6	17-44007-06	Gasket, Valve Plate (05G)	1
6	17-55002-00	Gasket, Valve Plate (05D & 05K)	1
7	17-40086-00	Valve, Discharge	2
8	17-44160-00	Stop, Discharge Valve	2
9	17-10715-00	Lockwasher, 1/4	4
10	17-44113-00	Capscrew, Hex Head, 1/4-28 x 3/8 lg	4
11	17-44123-00	Gasket, Center Cylinder Head	1
12	17-55012-00	Unloader Check Valve (Hot Gas Bypass Unloader) – Includes:	1
13	NSS	Lockwasher, #6	2
14	NSS	Screw, Round Phillips Head, #6-32 x 1/2 lg	2
15	NSS	Body Check Valve	1
16	17-40104-08	Piston, Check Valve	1
17	17-40104-09	Spring, Check Valve	1
18	17-44126-00	Gasket, Side Cylinder Head (Hot Gas Bypass Unloader)	1
18A	17-44124-00	Gasket, Side Cylinder Head (No Unloader)	1
18B	17-44125-00	Gasket, Side Cylinder Head (Suction Cutoff Unloader)	1

05G Compressor

ITEM	PART NO.	DESCRIPTION	QTY
------	----------	-------------	-----

11. GASKET SET - FIBER UNIVERSAL

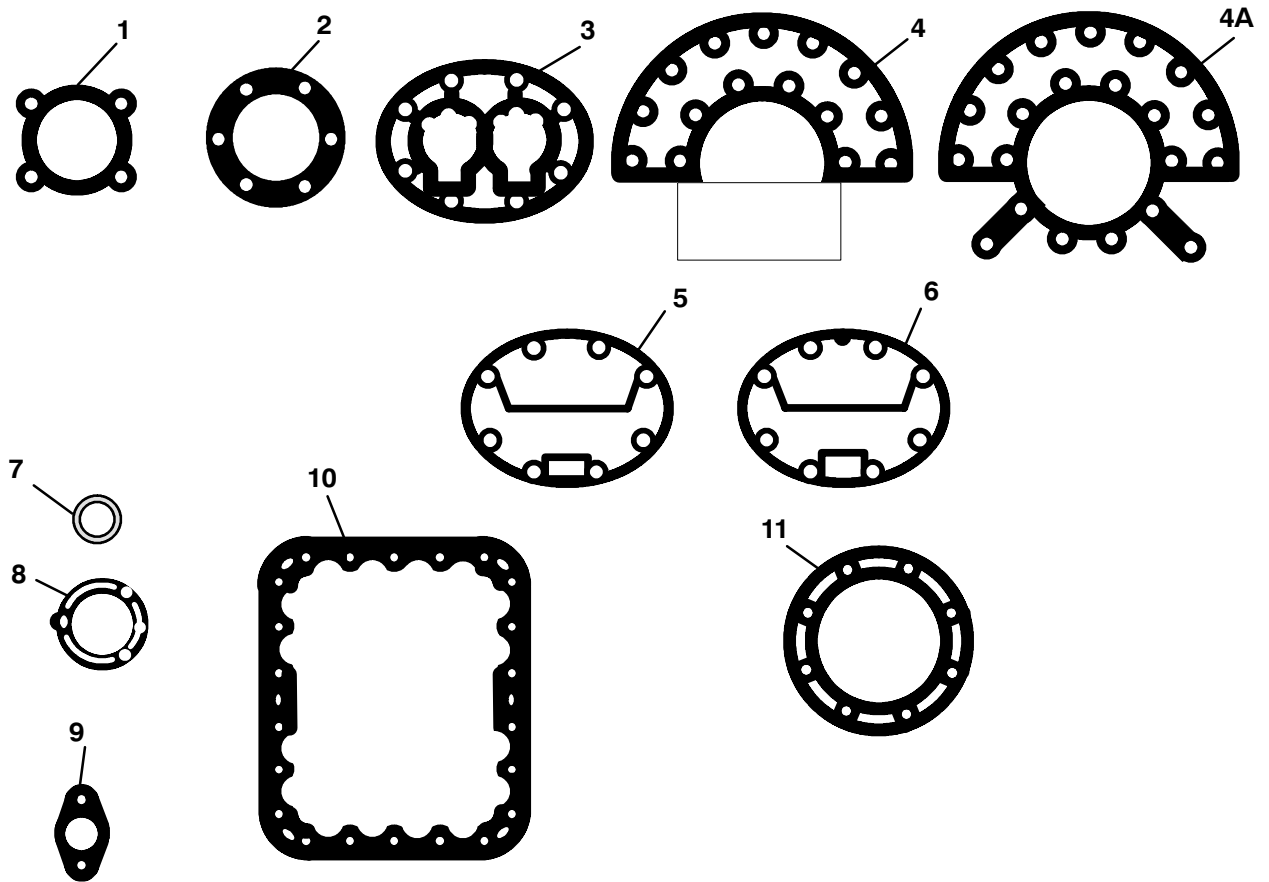


-	17-55020-20	Gasket Set (Fiber Universal) - Includes:	1
1	17-40005-05	Gasket, Suction Service Valve (4 Bolt)	1
2	17-44004-05	Gasket, Shaft Seal (05G with hub - Fiber)	1
2	17-44004-06	Gasket, Shaft Seal (05G with standard cover plate-Steel)	1
3	17-44007-06	Gasket, Valve Plate (05G)	3
4	17-44001-06	Gasket, End Flange (05G) - Includes:	1
5	17-44014-00	Gasket, Flange Spacer (05G)	2
6	17-44124-00	Gasket, Cylinder Head - Side Bank (No Unloader)	2
7	17-55002-00	Gasket, Valve Plate (05D)	3
8	17-44123-00	Gasket, Cylinder Head - Center	1
9	17-44126-00	Gasket, Cylinder Head - Side Bank (Hot Gas Bypass Unloader)	2
9A	17-44125-00	Gasket, Cylinder Head - Side Bank (Suction Cutoff Unloader)	2
10	17-40316-00	Gasket, Oil Supply Tube (O-Ring) (05D)	1
11	17-10218-02	Gasket, Sight Glass	2
12	17-40104-07	Gasket, Unloader Body	2
13	17-40075-05	Gasket, Oil Pump Cover	1
14	17-10811-05	Gasket, Service Valve (2 Bolt)	2
15	17-40033-05	Gasket, Bottom Plate	1
16	17-40078-05	Gasket, Pump End Bearing Head	1
17	17-40319-05	Gasket, Shaft Seal (05D)	1
18	17-40029-05	Gasket, Motor End Cover	1

05G Compressor

ITEM	PART NO.	DESCRIPTION	QTY
------	----------	-------------	-----

12. GASKET SET – METAL



-	17-55026-00	Gasket Set (METAL) – Includes:	1
1	17-44141-00	Gasket, Suction Service Valve (4 Bolt)	1
2	17-44004-06	Gasket, Shaft Seal (05G with standard cover plate–Steel)	1
3	17-44007-06	Gasket, Valve Plate	3
4	17-44119-00	Gasket, End Flange	1
4A	17-44118-00	Gasket, End Flange	1
5	17-44123-00	Gasket, Cylinder Head – Center	1
6	17-44126-00	Gasket, Cylinder Head – Side Bank (Hot Gas Bypass Unloader)	2
7	17-44021-00	Gasket, Sight Glass	2
8	17-40104-07	Gasket, Unloader Body	2
9	17-44138-00	Gasket, Service Valve (2 Bolt)	2
10	17-44129-00	Gasket, Bottom Plate	1
11	17-44022-00	Gasket, Pump End Bearing Head	1