

Service Parts List

COMPRESSOR

MODEL 05K

CONTENTS

Introduction	iii
Introduction	iv
Einführung	v
Introducción	vi
Introduzione	vii
Introduktie	viii
1. Tool / Oils / Fittings	1
2. Gasket set	1
3. Compressors	2
4. Cylinder head (4 cylinder)	3
5. Cylinder head and service valves (2 cylinder)	3
6. Service valves (4 cylinder)	4
7. Shaft seal	4
8. Valve plate assembly	5
9. Bearing head and oil pump	6
10. Unloaders	8
11. Crankshaft, rod and piston	10
12. Crankcase	11
13. Clutch assembly	12
14. Pressure switches	12



Carrier

A United Technologies Company

Carrier Transicold E.T.O. - B.P. 16 - 76520 Franqueville-Saint-Pierre - FRANCE
Carrier Transicold Division, Carrier Corporation, P.O. Box 4805, Syracuse, N.Y. 13221

05K Compressor

MODEL CHARTS

MODELS	PART NO.	REMARKS
05K-12	18-60000-04RM	12 cfm – 2 Cylinders – R404A
05K-12	17-44079-00	12 cfm – 2 Cylinders* – R22
05K-24	18-00057-23RM	24 cfm – 4 Cylinders* – Optima
05K-24	18-00063-31RM	24 cfm – 4 Cylinders (NO Unloader) – R-404A
05K-24	17-44078-00	24 cfm – 4 Cylinders (NO Unloader) – R-22

*With Plugged Head For Hot Gas Bypass Unloader

05K Compressor

INTRODUCTION

This parts lists identifies service replacement parts for the CARRIER TRANSICOLD 05K compressor.

Detailed parts identification for these items may be found in the applicable parts lists.

ORDERING INSTRUCTION

All orders and inquiries for parts must include:

- Unit Serial Number
- Description of part as shown on list
- Part No.
- Quantity required

Address all correspondence for parts to the following address according to your living area.

You live in:	EUROPE (East/West) AFRICA - MIDDLE EAST	E.T.O.	AMERICA (North/Middle/South) N.A.O.
Address your orders to:	CARRIER TRANSICOLD E.T.O. 10-12 Boulevard de l'Oise F-95031 CERGY-PONTOISE Phone : (33).1.34.43.48.00 Fax : (33).1.34.43.48.48		CARRIER TRANSICOLD Division Replacement Components Group TR-20 P.O. Box 4805, Syracuse, NY 13221 or Fax to : (315) 432.3778

GENERAL NOTES

To find replacement parts, determine major group in which replacement part is located, consult table of contents for the appropriate page for the illustrated breakdown of the replacement part.

The following letter designations are used to classify parts throughout this list.

A/R	As Required.	NSS	<i>Not Sold Separately - order next higher assembly or kit.</i>
NLO	<i>No Longer Offered.</i>	PL	<i>Purchase Locally.</i>
NS	<i>Not Shown in the illustration.</i>	SST	<i>Stainless Steel - 300 Series unless otherwise specified.</i>
NSA	Non-Stock Assembly - order components listed under the assembly	SV - SK	<i>Suffix SV - SK added to part number</i>
NSI	<i>Non-Stock - may be available on special order</i>		

05K Compressor

INTRODUCTION

Ce manuel pièces de rechange rassemble toutes les pièces détachées du compresseur CARRIER TRANSICOLD 05K.

INSTRUCTION DE COMMANDE

Toutes les commandes et demandes de pièces détachées devront comporter :

- le N° de série du groupe
- le N° de code
- la désignation de la pièce et son repère sur la planche
- la quantité demandée

Adresser toute correspondance à l'adresse suivante suivant votre lieu de résidence.

Vous habitez :	EUROPE (Est/Ouest) AFRIQUE - MOYEN ORIENT	E.T.O.	AMERIQUE (Nord/Centre/Sud) N.A.O.
Adressez vos commandes à :	CARRIER TRANSICOLD E.T.O. 10-12 Boulevard de l'Oise 95000 CERGY-PONTOISE Tél : (33).01.34.43.48.00 Fax : (33).01.34.43.48.48		CARRIER TRANSICOLD Division Replacement Components Group TR-20 P.O. Box 4805, Syracuse, NY 13221 or Fax to : (315) 432.3778

NOTES GENERALES

Pour trouver la pièce de rechange, déterminer l'ensemble principal dans lequel se trouve la pièce, consulter la table des matières pour trouver la page appropriée qui illustre l'ensemble contenant la pièce.

Les lettres suivantes sont utilisées pour classifier les pièces dans le manuel.

A/R	<i>Comme demandé.</i>	NSS	<i>Non vendu séparément. Commander l'ensemble qui inclut la pièce</i>
NLO	<i>Arrêté.</i>	PL	<i>A acheter localement.</i>
NS	<i>Non représenté sur la vue.</i>	SST	<i>Acier Inox Inox série 300 si non spécifié.</i>
NSA	<i>Non stocké assemblé. Commander les composants listés sous l'ensemble</i>	SV - SK	<i>Le suffixe SV SK ajouté au N° de code désigne un kit de pièces de rechange.</i>
NSI	<i>Non stocké. Peut être obtenu sur commande.spéciale</i>		

05K Compressor

EINFÜHRUNG

Vorliegendes Ersatzteilhandbuch schließt alle in dem CARRIER TRANSICOLD Kompressor 05K enthaltenen Ersatzteile ein.

BESTELLANWEISUNG

Bei Bestellungen und Anfragen für Ersatzteile sind folgende Angaben zu machen:

- Serien N° des Gerätes
 - Die Bezeichnung des Teiles und sein Kennzeichen auf der Explosionszeichnung
 - Die gewünschte Menge
 - Kodenummer
- Richten Sie bitte Ihre Korrespondenz an folgende Adresse, je nach Ihrem Standort:

Ihr Standort	EUROPA (Ost/West) AFRIKA - MITTL. OSTEN	E.T.O.	Nord/Zentral/Südamerika	N.A.O.
Richten Sie bitte Ihre Bestellungen an :	CARRIER TRANSICOLD E.T.O. 10-12 Boulevard de l'Oise F-95031 CERGY-PONTOISE Phone : (33).1.34.43.48.00 Fax : (33).1.34.43.48.48		CARRIER TRANSICOLD Division Replacement Components Group TR-20 P.O. Box 4805, Syracuse, NY 13221 or Fax to : (315) 432.3778	

ALLGEMEINES

Um das Ersatzteil zu finden, ist das Hauptbestandteil, in welchem dieses Teil sich befindet, zu bestimmen. Hierzu ist das Inhaltsverzeichnis vorzunehmen, um die entsprechende Seite mit der Explosionszeichnung zu finden.

Folgende Buchstaben werden zur Klassifizierung der Teile im Handbuch verwendet:

A/R	<i>Je nach Anfrage.</i>	NSS	<i>Nicht separat lieferbar. Bestellen Sie bitte die komplette Einheit, die dieses Teil enthält.</i>
NLO	<i>Nicht mehr lieferbar.</i>	PL	<i>Ist an Ort und Stelle zu besorgen.</i>
NS	<i>Nicht auf der Zeichnung dargestellt.</i>	SST	<i>Rostfreier Stahl (Inoxserie 300, falls nicht anders spezifiziert).</i>
NSA	<i>Nicht als Montagesatz gelagert. Bestellen Sie die Bestandteile gemäß der detaillierten Liste.</i>	SV-SK	<i>Das Suffix SV SK nach der Kodenummer kennzeichnet einen Ersatzteilkit.</i>
NSI	<i>Nicht gelagert. Kann auf spezielle Bestellung geliefert werden.</i>		

05K Compressor

INTODUCCIÓN

Este manual de recambios reúne todas las piezas de recambio del compresor CARRIER TRANSICOLD 05K.

INSTRUCCIONES PARA HACER UN PEDICO

En todos los pedidos de recambios habrá que especificar :

- el número de serie del equipo
- el número de código
- el nombre de la pieza y su lugar en la tabla
- la cantidad pedida

Enviar la correspondencia a la dirección siguiente según el lugar de residencia.

Vd Vive en :	EUROPA (Este/Oeste) AFRICA - Y MEDIO ORIENTE	E.T.O.	AMERICA (Norte/Central/Súr) N.A.O.
Dirigir los pedidos a :	CARRIER TRANSICOLD E.T.O. 10-12 Boulevard de l'Oise F-95031 CERGY-PONTOISE Phone : (33).1.34.43.48.00 Fax : (33).1.34.43.48.48		CARRIER TRANSICOLD Division Replacement Components Group TR-20 P.O. Box 4805, Syracuse, NY 13221 or Fax to : (315) 432.3778

NOTAS GENERALES

Para localizar el recambio, hay que determinar el conjunto principal al cual pertenece la pieza, consultar el índice para localizar la página correcta que ilustra el conjunto que incluye el recambio.

Las letras siguientes se utilizan para clasificar los recambios en el manual :

A/R	<i>Según pedido.</i>	NSS	<i>No se vende por separado. Pedir el conjunto incluye la pieza.</i>
NLO	<i>Fin de fabricación.</i>	PL	<i>Compra local.</i>
NS	<i>No está representado en el dibujo.</i>	SST	<i>Acero Inoxidable - Inox Seria 300 si no se especifica.</i>
NSA	<i>No se almacena montado. Pedir los componentes listados debajo del conjunto.</i>	SV-SK	<i>El sufijo SV-SK añadido al n° de código designa un kit de piezas de recambios.</i>
NSI	<i>No existe en stock. Puede conseguirse con un pedido especial.</i>		

05K Compressor

INTRODUZIONE

Questo manuale - parti di ricambio - raggruppa tutti i ricambi dei gruppi CARRIER TRANSICOLD 05K : si tratta di un gruppo le cui applicazioni comprendono la refrigerazione, il riscaldamento e lo sbrinamento delle casse frigorifere.

Per questi ultimi é necessario consultare il manuale delle parti di ricambio specifico.

ISTRUZIONI PER LA COMPILAZIONE DELL'ORDINE

Tutti gli ordini e le richieste di parti di ricambio dovranno comprendere :

- il N° matricola del gruppo
- il N° di codice
- la designazione del pezzo e il suo riferimento sull'esplosivo
- la quantità richiesta

Indirizzare la corrispondenza all'indirizzo seguente, secondo il vostro luogo di residenza.

Voi abitate :	EUROPA (Est/Ouest) AFRICA - MEDIO ORIENTE	E.T.O.	AMERICA (Nord/Centro/Sud)	N.A.O.
Indirizzate i vostri ordini a :	CARRIER TRANSICOLD E.T.O. 10-12 Boulevard de l'Oise F-95031 CERGY-PONTOISE Phone : (33).1.34.43.48.00 Fax : (33).1.34.43.48.48		CARRIER TRANSICOLD Division Replacement Components Group TR-20 P.O. Box 4805, Syracuse, NY 13221 or Fax to : (315) 432.3778	

NOTE GENERALI

Per cercare il pezzo di ricambio singolo, determinare l'insieme principale nel quale esso si trova, consultare l'indice per trovare la pagina corrispondente che illustra l'insieme che lo contiene.

Le lettere seguenti sono utilizzate per classificare i ricambi nel manuale :

A/R	<i>Come richiesto.</i>	NSS	<i>Non venduto separatamente : ordinare l'insieme che contiene il pezzo singolo.</i>
NLO	<i>Fuori produzione.</i>	PL	<i>Da comprare sul posto.</i>
NS	<i>Non rappresentato sul disegno.</i>	SST	<i>Acciaio Inox. Inox serie 300 se non è specificato.</i>
NSA	<i>Non disponibile assemblato : ordinare i componenti elencati sotto l'insieme.</i>	SV-SK	<i>Il suffisso SV-SKaggiunto al n° di codice indica un kit di parti di ricambio</i>
NSI	<i>Non in stock : puo essere attenuto con un ordine speciale.</i>		

05K Compressor

INTRODUKTIE

Deze onderdelen lijst beschrijft service en vervangings onderdelen van de CARRIER TRANSICOLD 05K transportkoelmachine's.

BESTEL INSTRUCTIES

Bij alle aanvragen van reserve onderdelen moeten vermeld zijn :

- Serienummer van de groep
- Code nummer
- Onderdeelbeschrijving + nummeraanduiding
- Gewenst aantal

Richt alle correspondentie aan het volgende adres :

U woont:	EUROPA (Oost/West) AFRICA - MIDDEN OOSTEN	E.T.O.	AMERIKA Noord/Centraal/Zuid) N.A.O.
Zend uw orders naar:	CARRIER TRANSICOLD E.T.O. 10-12 Boulevard de l'Oise F-95031 CERGY-PONTOISE Phone : (33).1.34.43.48.00 Fax : (33).1.34.43.48.48		CARRIER TRANSICOLD Division Replacement Components Group TR-20 P.O. Box 4805, Syracuse, NY 13221 or Fax to : (315) 432.3778

ALGEMENE OPMERKINGEN

Om de benodigde onderdelen te localiseren, richt u tot de groep waar het specifieke onderdeel zich bevindt, en raadpleeg de inhoudstabel voor de juiste pagina.

De onderstaande afkortingen worden gebruikt :

A/R	<i>Zoals gewenst.</i>	NSS	<i>Niet apart leverbaar, bestel bovengenoemde set.</i>
NLO	<i>Niet meer gebruikt.</i>	PL	<i>Koop dit onderdeel plaatselijk.</i>
NS	<i>Niet aangegeven in tekening.</i>	SST	<i>Roestvaststaal .300 serie tenzij anders aangegeven.</i>
NSA	<i>Niet als set leverbaar, bestel aparte onderdelen.</i>	SV-SK	<i>Achter het onderdeel betekent service onderdeel</i>
NSI	<i>Niet op voorraad, allen voor speciale orders leverbaar.</i>		

05K Compressor

ITEM	PART NO.	DESCRIPTION	QTY
1. TOOL / OILS / FITTINGS			
NS	07-00219-00	Wrench, Compressor Sight Glass	
NS	07-00223-00	Pliers, Compressor Unloader Ring	
NS	07-00240-01	Wrench, Spanner (for Housing Mounted Clutch)	
NS	07-00241-00	Rotor Installation Tool (for Housing Mounted Clutch)	
NS	07-00242-01	Bearing Retaining Nut Socket (3.5") (for Housing Mounted Clutch)	
NS	07-00242-02	Bearing Retaining Nut Socket (3") (for Housing Mounted Clutch)	
NS	07-00260-00	Acid Test Kit, Mineral oils	
NS	07-00337-00	Acid Test Kit, POE oils	
NS	07-00265-01	Totaltest Kit	
NS	07-00266-00	Replacement Tubes for Totaltest Kit	
NS	58-04165-00	Filter, Felt (Suction Sock for System Clean Up)	
NS	07-00275-00	Oil, Compressor – for “R-12, R-22 & R-502” refrigerant (1 gallon)	
NS	07-00317-00	Oil, Compressor POE – for “R-134a & 404A” refrigerant (1 gallon)	
NS	07-00316-00	Meter, Refractometer for compressor oil	
NS	17-55013-00	Kit, Unloader Valve Blank-off plate (hot gas by pass)	
NS	17-21056-00	Kit, Unloader Valve Blank-off plate (suction cut out)	
NS	17-13008-00	Kit, Service Valve Pad Blank off 2 bolt 1-5/8 C/L	
NS	17-13004-00	Kit, Service Valve Pad Blank off 2 bolt 1-3/4 C/L	
NS	58-00869-00	Filter, Felt (Suction Sock for System Clean Up)	
NS	17-13010-00	Access Port W/Shrader, Male 1/8 NPT X Male 1/4 Flare Access Port	
NS	06DA403844	Access Port W/Shrader Male 1/4 NPT X Male 1/4 Flare Access Port	
NS	OTBO889	Access Port W/Shrader Male 7/16-20 O-Ring X Male 1/4 Flare Access Port	
NS	DD19CA061	CAP, 1/4 FLARE	
NS	07-00319-00	Bushing, Male 1/4 NPT X Female 7/16 O-Ring	
NS	40-00528-02	Bushing, Male 7/16-20 O-Ring X Female 1/4 NPT	
NS	40-00528-00	Bushing, Male 9/16-18 O-Ring X Female 1/4 NPT	
NS	40-00121-01	Bushing, 1/4 NPT x 1/8 NPT	
NS	40-00129-02	Elbow, Street 90 degree 1/4 MPT x 1/4 FPT	
NS	40-00102-03	Elbow, 1/4 Flare x 1/8 NPT	
NS	40-01166-00	Elbow, 90 degree Male 9/16-18 O-Ring X Female 1/4 NPT	
NS	40-01166-01	Elbow, 90 degree Male 7/16-20 O-Ring X Female 1/4 NPT	
NS	17-44037-00	Plug, 7/16-20 O-Ring	
NS	17-44706-00	Plug, 9/16-18 O-Ring	
NS	79-00965-00	Tee, Snubber 1/8 x 1/8 x 1/8	

2. GASKET SET

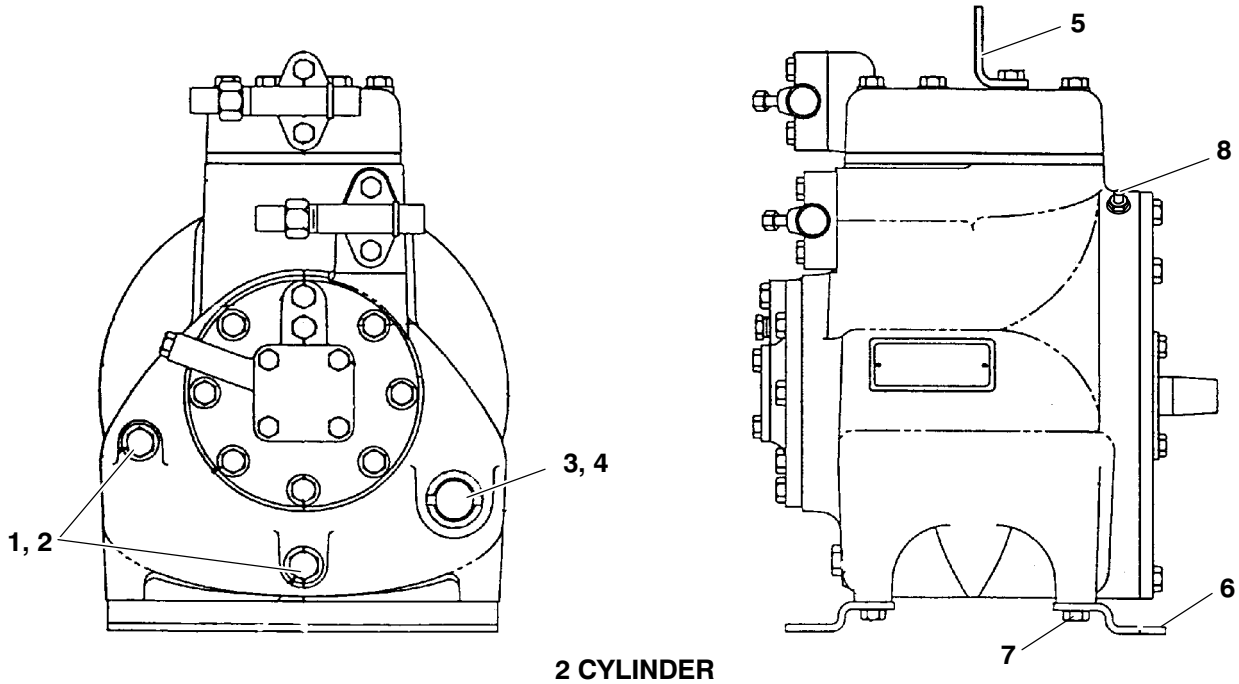
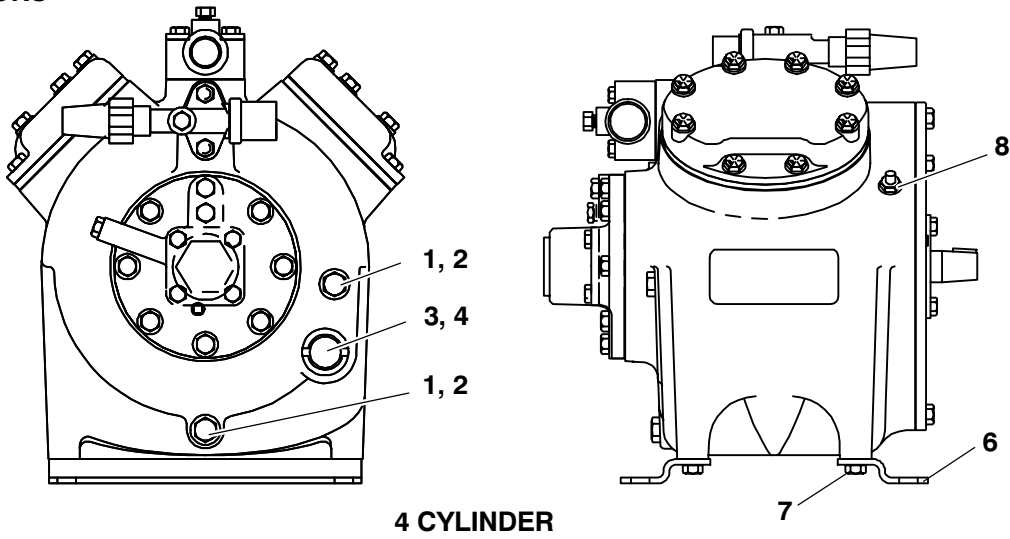
NOTE: REFER TO APPROPRIATE SECTION FOR ILLUSTRATION

SECTION	ITEM	PART NO.	DESCRIPTION	QTY
NS	NS	17-44707-00	Gasket Set – Includes:	1
3.	4	17-44021-00	Gasket, Sight Glass	1
5.	10	17-10811-05	Gasket, Suction Service Valve	1
5.	6	17-21003-00	Gasket, Discharge Service Valve	1
9.	7	17-44022-00	Gasket, Oil Pump Bearing Head	1
10.	6	17-40104-07	Gasket, Unloader Valve	1
8.	11	17-44123-00	Gasket, Center Cylinder Head	2
8.	12	17-44124-00	Gasket, Side Cylinder Head (No Unloader)	1
8.	12B	17-44126-00	Gasket, Side Cylinder Head (Hot Gas Bypass Unloader)	1
7.	4	17-44713-00	Gasket, Seal Plate (Shaft)	1
8.	6	17-55002-00	Gasket, Valve Plate	2
12.	6	17-44712-00	O-Ring	1
12.	1	17-44023-00	Gasket, Front Cover 2 Cylinder	1
12.	1	17-44021-00	Gasket, Front Cover 4 Cylinder	1

05K Compressor

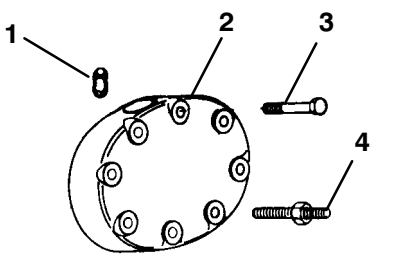
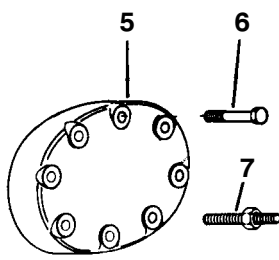
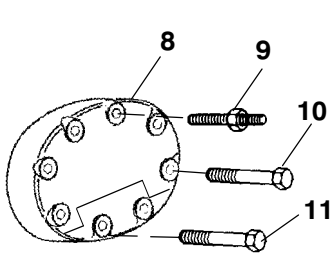
ITEM	PART NO.	DESCRIPTION	QTY
------	----------	-------------	-----

3. COMPRESSORS

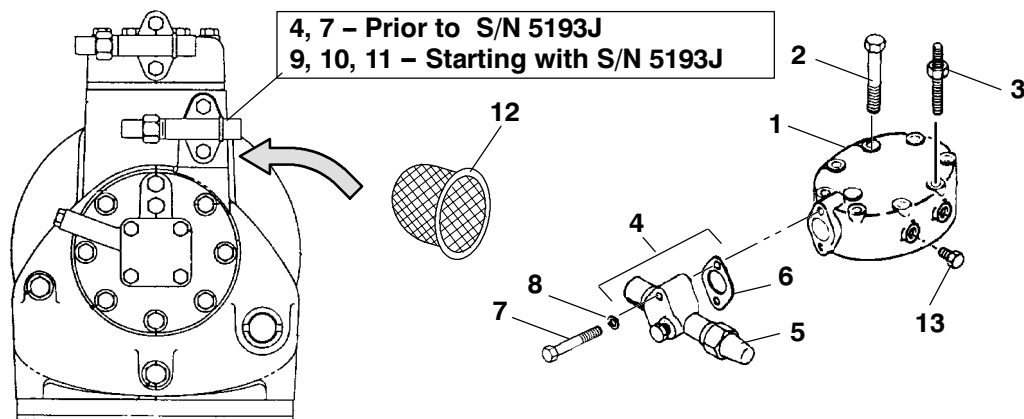


1	17-44037-00	Plug, O-Ring (7/16-20) – Includes:	3
2	42-00243-07	O-Ring	1
1	17-44706-00	Plug, O-Ring (9/16-18) – Includes:	3
2	42-00243-05	O-Ring	1
3	17-10218-00	Sight Glass	1
4	17-44021-00	Gasket, Sight Glass	1
5	17-44701-00 (NSI)	Lug, Lifting – 2 Cylinder	1
NS	17-44726-00 (NSI)	Lug, Lifting – 4 Cylinder	1
6	17-40036-00	Foot	2
7	PL	Capscrew, Hex Head 1/2-13 x 1" lg	4
8	O6DA403-844	Valve, Schrader (1/4 npt x 1/4 Flare)	1
8	OTA0669B	Valve, Schrader (7/16 -20 x 1/4 Flare)	1
NS	DD-19CA061	Cap, Knurled for 1/4" flare	1

05K Compressor

ITEM	PART NO.	DESCRIPTION	QTY
4. CYLINDER HEAD (4 CYLINDER)			
  			
		UNLOADER CYLINDER HEAD	
		NO UNLOADER	
		SHAVED HEAD	
1	17-40108-00	Strainer	1
2	17-21041-00	Cylinder Head (Suction Cutoff Unloader)	1
2	17-40104-05	Cylinder Head (Hot Gas Bypass Unloader)	1
3	17-40018-05	Capscrew, Hex Head 3/8-16 x 3"lg – SAE Grade 8	A/R
4	17-44017-01	Stud, 3/8-16 x 3-3/4" lg	A/R
5	17-44731-00	Cylinder Head (No Unloader)	1
6	17-44117-00	Capscrew, Hex Head, 3/8-16 x 2-1/4"lg – SAE Grade 8	A/R
7	17-57010-00	Stud, 3/8-16 x 2-1/2" lg	A/R
8	17-21040-00	Cylinder Head (Shaved – No Unloader)	A/R
9	17-44732-00	Stud, 3/8-16 x 2 lg	A/R
10	17-40034-05	Capscrew, Hex Head 3/8-16 x 2.00" lg – SAE Grade 8	A/R
11	17-40037-05	Capscrew, Hex Head 3/8-16 x 1.00" lg – SAE Grade 8	A/R

5. CYLINDER HEAD AND SERVICE VALVES (2 CYLINDER)

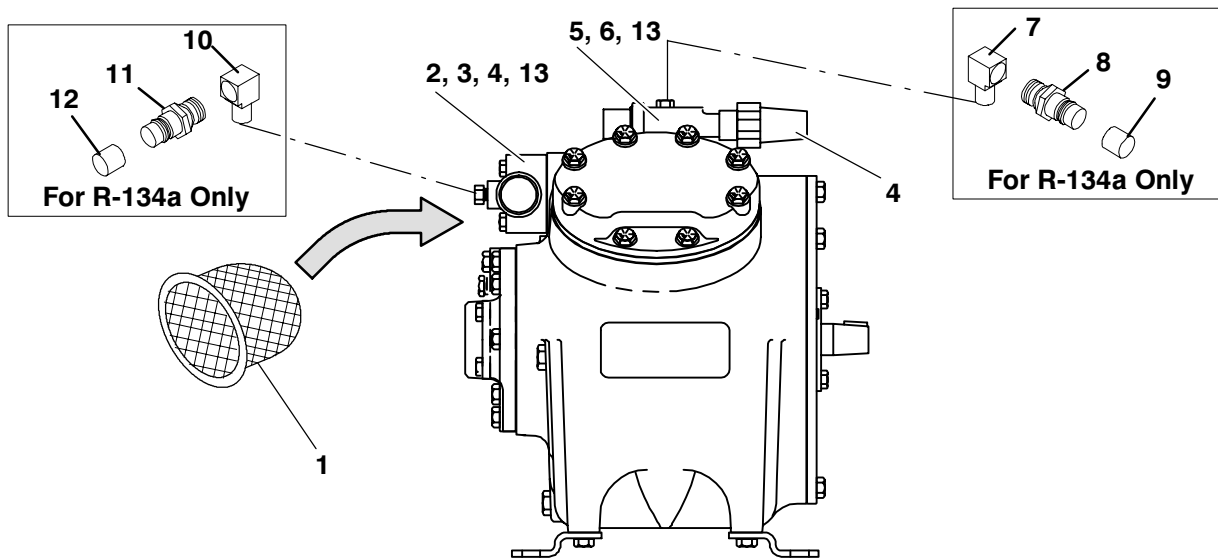


1	17-44700-00	Cylinder Head – Center Bank	1
2	17-40018-05	Capscrew, Hex Head 3/8-16 x 3.00" lg – SAE Grade 8	6
3	17-44733-00	Stud, 3/8-16 x 3 lg	2
4	14-01042-01	Valve, Discharge Service (7/8 OD) – Includes:	1
4	14-01042-05	Valve, Discharge Service (3/4 OD) – Includes:	1
5	17-10812-00	Cap, Service Valve (Plastic) – Includes:	1
6	17-21003-00	Gasket, Service Valve	1
5	17-10806-10	Cap, Service Valve (Brass)	1
7	17-13002-00	Capscrew, Hex Head 5/16-18 x 1.25" lg – SAE Grade 8	2
8	17-40013-00	Gasket, Capscrew (5/16)	2
9	14-01042-04	Valve, Suction Service 7/8 OD – Includes:	1
10	17-10811-05	Gasket, Service Valve	1
5	17-10812-00	Cap, Service Valve (Plastic)	1
11	17-57019-05	Capscrew, Hex Head 5/16-18 x 1.75" lg – SAE Grade 8	2
12	17-44716-00	Strainer, Suction (Starting with S/N 5193J_____)	1
13	PL	Pipe Plug 1/4-18 npt	2
NS	17-13022-00	Packing, Service Valve Stem	1

05K Compressor

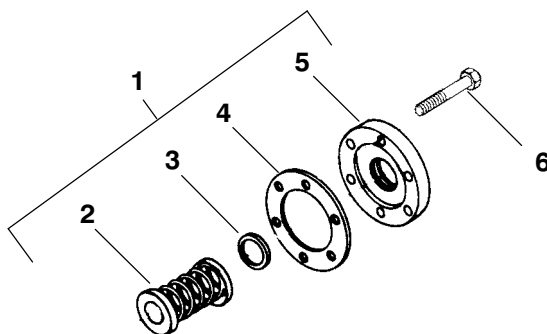
ITEM	PART NO.	DESCRIPTION	QTY
------	----------	-------------	-----

6. SERVICE VALVES (4 CYLINDER)



1	17-44716-00	Strainer, Suction	1
2	14-01042-04	Valve, Suction Service 7/8" ODS - Includes:	1
2	14-01042-03	Valve, Suction Service 1-1/8" ODS - Includes:	1
3	17-10811-05	Gasket, Service Valve	1
4	17-10812-00	Cap, Service Valve (Plastic)	1
5	17-13000-01	Valve, Discharge Service 3/4" ODS - Includes:	1
5	14-01042-01	Valve, Discharge Service 7/8" ODS - Includes:	1
6	17-21003-00	Gasket, Service Valve	1
4	17-10812-00	Cap, Service Valve (Plastic)	1
7	40-00524-01	Elbow, 1/8 NPTF x M15 - Brass	1
8	40-00520-01	Coupling, M15 - Brass - Includes:	1
9	40-00520-03	Cap, Service Port	1
10	40-00524-00	Elbow, 1/4 NPTF x M13 - Brass	1
11	40-00520-00	Coupling, M13 - Brass - Includes:	1
12	40-00520-02	Cap, Service Port	1
13	17-40012-00	Capscrew, Hex Head 5/16-18 x 2 lg - SAE Grade 8	2

7. SHAFT SEAL

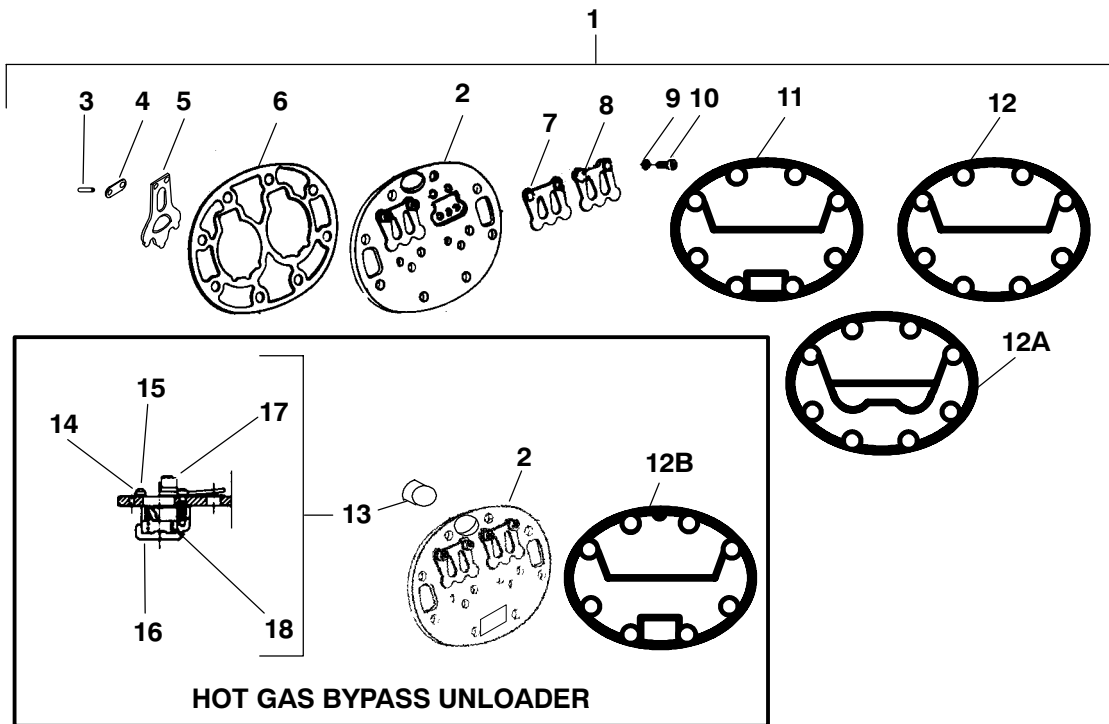


1	17-44705-00	Seal Assembly, Shaft - Includes:	1
2	NSS	Seal, Shaft	1
3	17-56027-00	Ring, Carbon	1
4	17-44713-00	Gasket, Seal Plate (Shaft)	1
5	NSS	Plate, Seal (Shaft)	1
NS	17-10301-10	Felt Ring	1
6	17-40077-05	Screw, Hex Head 5/16-18 x 0.75" lg - SAE Grade 8	6

05K Compressor

ITEM	PART NO.	DESCRIPTION	QTY
------	----------	-------------	-----

8. VALVE PLATE ASSEMBLY

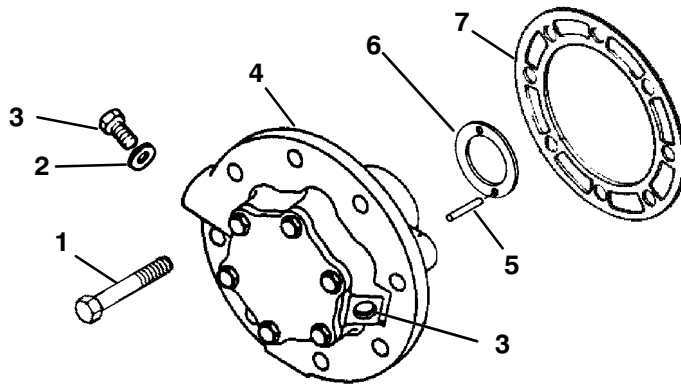


1*	17-44104-00	Valve Plate (Canted Narrow Seat, Side Bank with hot gas bypass unloader) –Includes:	1
1*	17-44105-00	Valve Plate (Canted Narrow Seat, Center or Side with suction cutoff unloader or No unloader) – Includes:	1
1*	17-44106-00	Valve Plate (Flat, Side Bank with hot gas bypass unloader) – Includes:	1
1*	17-44107-00	Valve Plate (Flat, Center & Side with suction cutoff unloader) – Includes:	1
1*	17-44099-00	Valve Plate (Flat, Side Bank with No Unloader) – Includes:	1
2	NSS	Valve Plate	1
3	17-40057-00	Dowel, Pin Suction Valve	4
4	17-40083-00	Spring, Suction Valve Position	2
5	17-44111-00	Valve, Suction (0.018) – 05G and 05K	2
6	17-44007-06	Gasket, Valve Plate (05G)	1
6	17-55002-00	Gasket, Valve Plate (05K)	1
7	17-40086-00	Valve, Discharge	2
8	17-44160-00	Stop, Discharge Valve	2
9	17-10715-00	Lockwasher, 1/4	4
10	17-44113-00	Capscrew, Hex Head, 1/4-28 x 3/8" lg	4
11	17-44123-00	Gasket, Center Cylinder Head	1
12	17-44124-00	Gasket, Side Cylinder Head (No Unloader)	1
12A	17-44125-00	Gasket, Side Cylinder Head (Suction Cutoff Unloader)	1
12B	17-44126-00	Gasket, Side Cylinder Head (Hot Gas Bypass Unloader)	1
13	17-55012-00	Unloader Check Valve (Hot Gas Bypass Unloader) – Includes:	1
14	NSS	Lockwasher, #6	2
15	NSS	Screw, Round Phillips Head, #6-32 x 1/2" lg	2
16	NSS	Body Check Valve	1
17	17-40104-08	Piston, Check Valve	1
18	17-40104-09	Spring, Check Valve	1

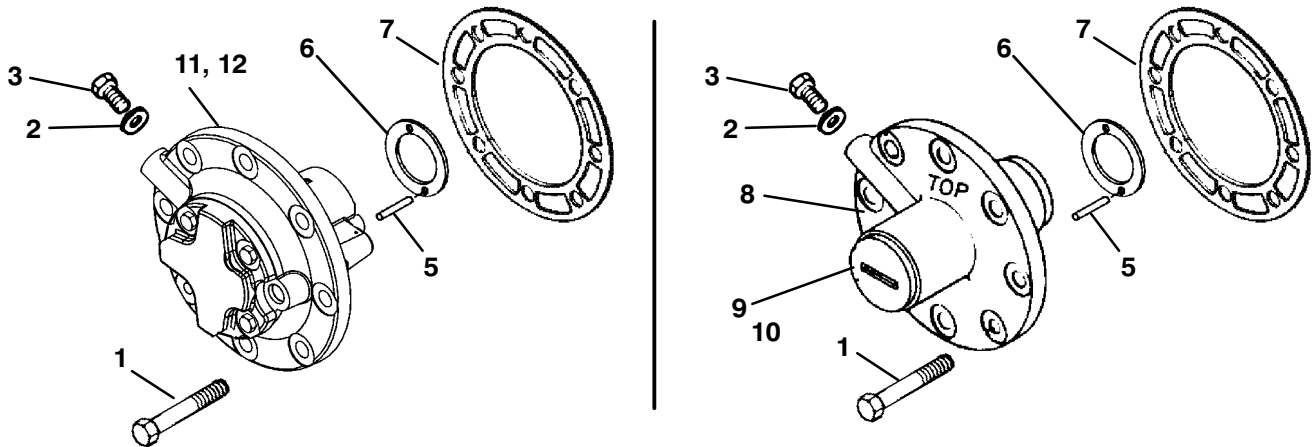
*Canted Valve Plates are for Refrigeration use. Flat Valve Plates are for Air Conditioning use.

05K Compressor

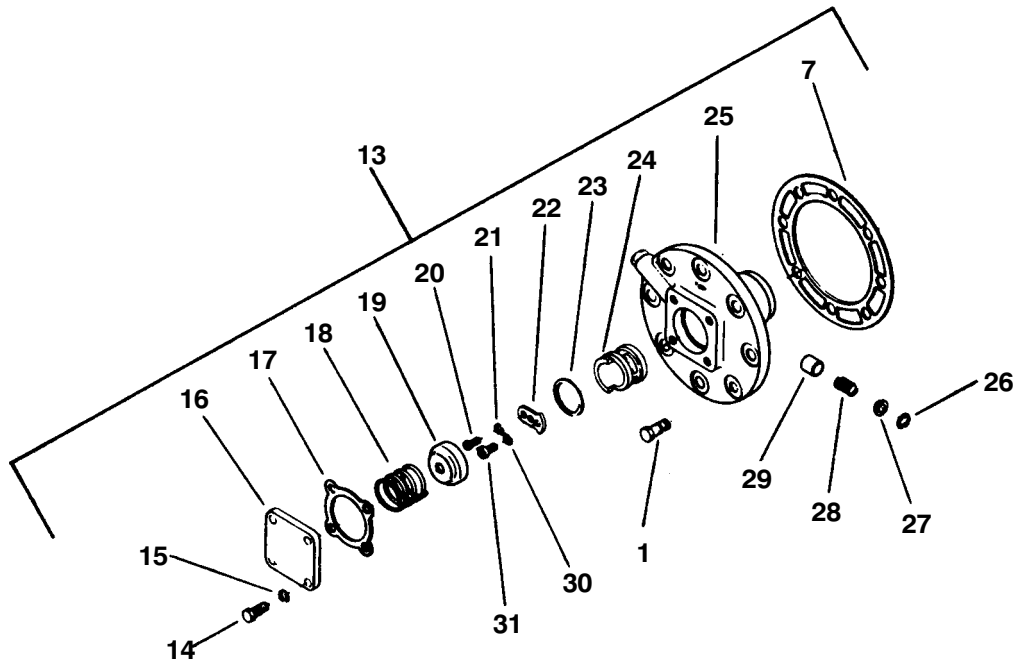
9. BEARING HEAD AND OIL PUMP



UNIVERSAL GEAR PUMP



GEAR PUMPS



VANE PUMP

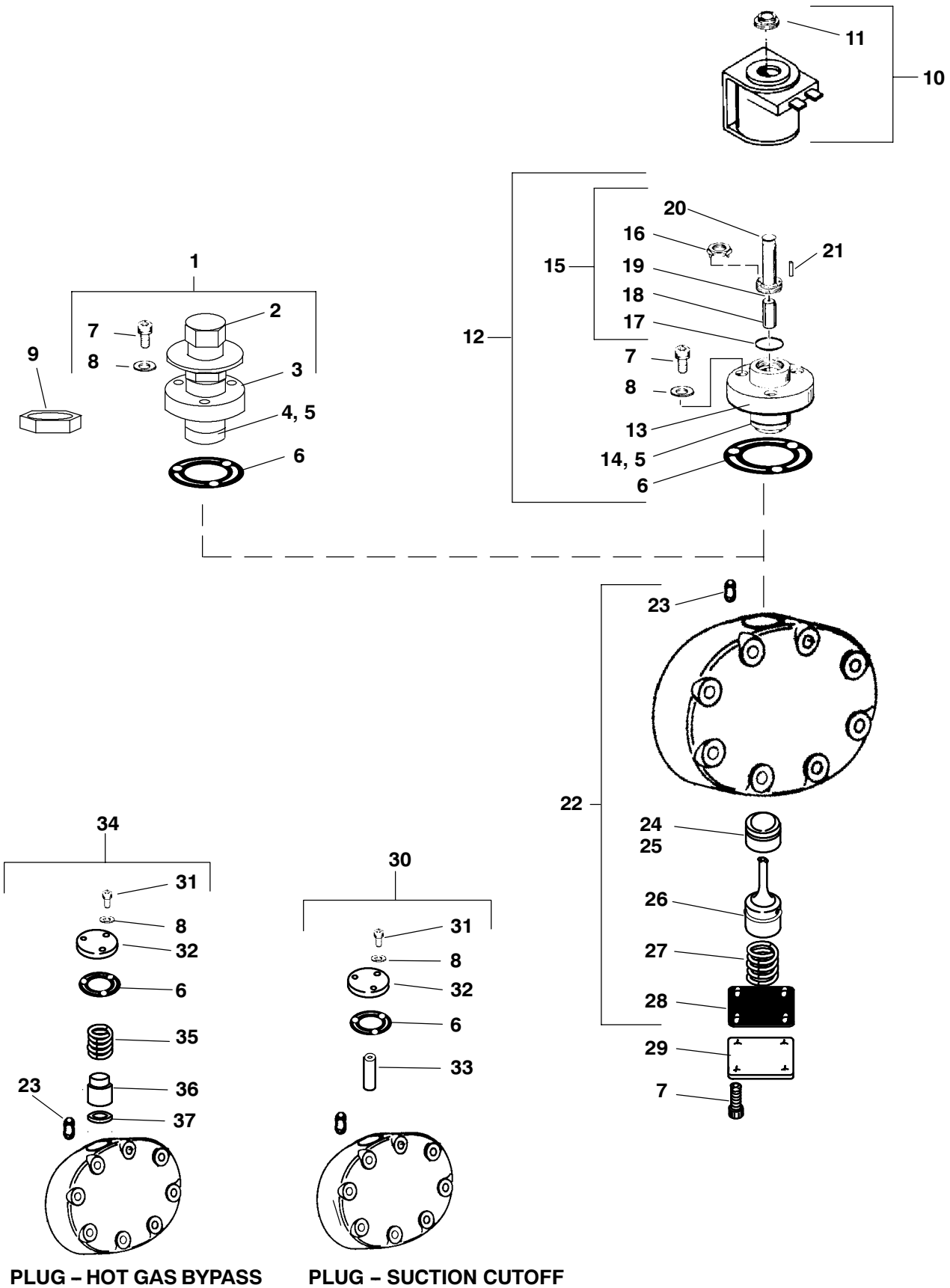
05K Compressor

ITEM	PART NO.	DESCRIPTION	QTY
9. BEARING HEAD AND OIL PUMP			
1	17-10308-00	Capscrew, Hex Head, 3/8-16 x 1-1/4" lg – SAE Grade 5	8
2	17-40019-00	Washer, Seal	1
2	42-00243-07	O-Ring, for 7/16-20 straight thread fittings	1
3	PL	Capscrew, 3/8-16 X3/4" lg	1
3	17-44037-00	Plug, with O-Ring 7/16-20	1
4	17-44137-00	Oil Pump and Bearing Head Assembly (Universal Gear Pump)	1
NS	17-44139-00	O-Ring, Pump cover plate	1
5	17-40204-00	Pin Roll, 1/8 dia X 1/2" lg	2
6	17-55009-01	Thrustwasher, Pump End	1
7	17-40078-05	Gasket, Bearing Head (Fiber)	1
7	17-44022-00	Gasket, Bearing Head (Metal)	1
8	SEE NOTE	Oil Pump and Bearing Head Assembly (Gear Pump)– Includes:	1
9	17-44033-01	Cover Assembly, Screw – Includes:	1
10	17-44033-02	Gasket, O-Ring	1
11	SEE NOTE	Oil Pump and Bearing Head (Low Profile Gear Pump) – Includes:	1
12	42-00045-01	O-Ring	1
13	17-44734-00	Oil Pump and Bearing Head Assembly (Vane Pump) – Includes:	1
7	17-40078-05	Gasket, Bearing Head	1
14	17-40077-05	Capscrew, Hex Head, 5/16-18 x 3/4" lg– SAE Grade 8	4
15	17-40013-00	Gasket, Capscrew, 5/16	4
16	17-40076-00	Cover, Oil Pump	1
17	17-40075-05	Gasket, Oil Pump Cover	1
18	17-40069-00	Spring, Oil Feed Vane	1
19	17-40070-00	Guide, Oil Feed Vane	1
20	17-40072-00	Capscrew, Socket Head, #10-32 x 1/2" lg – SAE Grade B7	1
21	17-40073-00	Lockwasher, #10	1
22	17-44710-00	Drive Segment, Oil Pump	1
23	17-40068-00	Retaining Ring, Rotor	1
24	17-40067-00 (NSI)	Pump, Rotor	1
25	NSS	Head (Includes Bearing)	1
26	17-40066-00	Ring, Plunger Retaining	2
27	17-40065-00	Guide Plunger Vane Spring	2
28	17-40064-00	Spring Plunger	2
29	17-40063-00 (NSI)	Vane, Pump	2
30	17-10715-00	Lockwasher, 1/4	1
31	17-40074-01	Capscrew, Socket Head, 1/4-28 x 5/8" lg – SAE Grade B7	1

NOTE: 17-44033-10 and 17-44714-00 Oil Pump and Bearing Head Assemblies (Gear Pump) are **No Longer Offered use Item 4**

05K Compressor

10. UNLOADERS



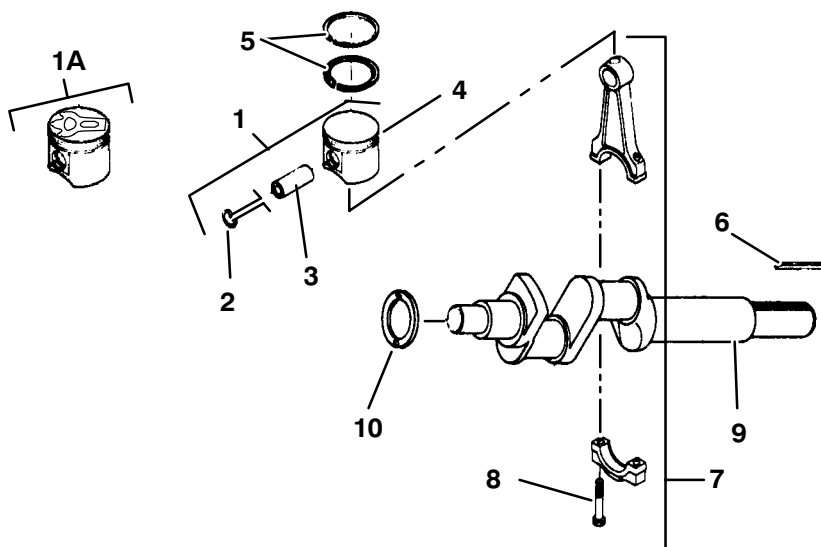
05K Compressor

ITEM	PART NO.	DESCRIPTION	QTY
10. UNLOADERS			
1	17-55018-01	Valve Assembly (Pressure) – Includes:	A/R
2	NSS	Power Assembly, Unloader (Suction Press Activated)	1
3	NSS	Body Assembly, Valve	1
4	17-40409-00	Piston (For Hot Gas Bypass Unloaders) – Includes:	1
5	17-55010-00	Ring, Piston	1
6	17-40104-07	Gasket, Unloader Valve	1
7	17-40111-00	Screw, Socket Head 1/4-28 x 0.75" lg	1
8	17-40104-20	Gasket, Socket Head Screw (1/4)	1
9	34-01139-00	Nut, Unloader Adjuster Lock	
10	22-02567-00	Coil, Valve (12 v-dc with Spade Terminal) – Includes:	A/R
10	14-00143-07	Coil, Valve (12 v-dc) – Includes:	A/R
10	22-50030-00	Coil, Valve (24 v-dc) – Includes:	A/R
10	22-02567-01	Coil, Valve (24 v-ac) – Includes:	A/R
10	16-00149-00	Coil, Valve (115 v-ac) – Includes:	A/R
10	17-10829-00	Coil, Valve (230 v-ac) – Includes:	A/R
11	17-40408-02	Cap, Snap	1
12	17-40407-20	Valve Assembly (Electric) – Includes:	A/R
13	NSS	Body Assembly, Valve	1
14	17-40409-00	Piston (For Hot Gas Bypass Unloaders) – Includes:	1
5	17-55010-00	Ring, Piston	1
15	16-00143-01	Kit, Valve Stem Repair – Includes:	1
16	NSS	Installation/Remover Tool	1
17	17-55022-00	Gasket, O-Ring	1
18	NSS	Plunger Assembly	1
19	NSS	Spring, Plunger	1
20	NSS	Tube, Enclosing	1
21	34-06026-00	Pin, Unloader Coil Retainer	
11	17-40408-02	Cap, Snap	1
6	17-40104-07	Gasket, Unloader Valve	1
7	17-40111-00	Screw, Socket Head 1/4-28 x 0.75" lg	3
8	17-40104-20	Gasket, Socket Head Screw (1/4)	3
22	17-21055-00	Kit, Repair (For Suction Cutoff Unloaders) – Includes:	2
23	17-40108-00	Strainer	1
24	17-21047-00	Ring, Piston	1
25	NSS	Piston	1
26	NSS	Body, Valve	1
27	17-21044-00	Spring, Compression	1
28	17-21046-00	Gasket, Valve Cover	1
6	17-40104-07	Gasket, Unloader Valve	1
29	17-21045-00	Cover, Valve	1
30	17-21056-00	Kit, Plug (Suction Cutoff To Fully Loaded) – Includes:	A/R
31	17-10721-00	Capscrew, Socket 1/4-28 x 1.00" lg	3
32	NSS	Plate, Cover	1
33	NSS	Sleeve, Plug	1
6	17-40104-07	Gasket, Unloader Valve	1
8	17-40104-20	Gasket, Screw (1/4)	3
34	17-55013-00	Kit, Plug (Hot Gas Bypass To Fully Loaded) – Includes:	A/R
35	NSS	Spring	1
36	NSS	Plug	1
37	17-55014-00	Ring, Seat	1
6	17-40104-07	Gasket, Unloader Valve	1
8	17-40104-20	Gasket, Screw (1/4)	3
23	17-40108-00	Strainer	1
31	17-10721-00	Capscrew, Socket 1/4-28 x 1.00" lg	3
32	NSS	Plate, Cover	1

05K Compressor

ITEM	PART NO.	DESCRIPTION	QTY
------	----------	-------------	-----

11. CRANKSHAFT, ROD AND PISTON



Contoured Head Pistons are for Refrigeration use. Flat Top Pistons are for Air Conditioning use.

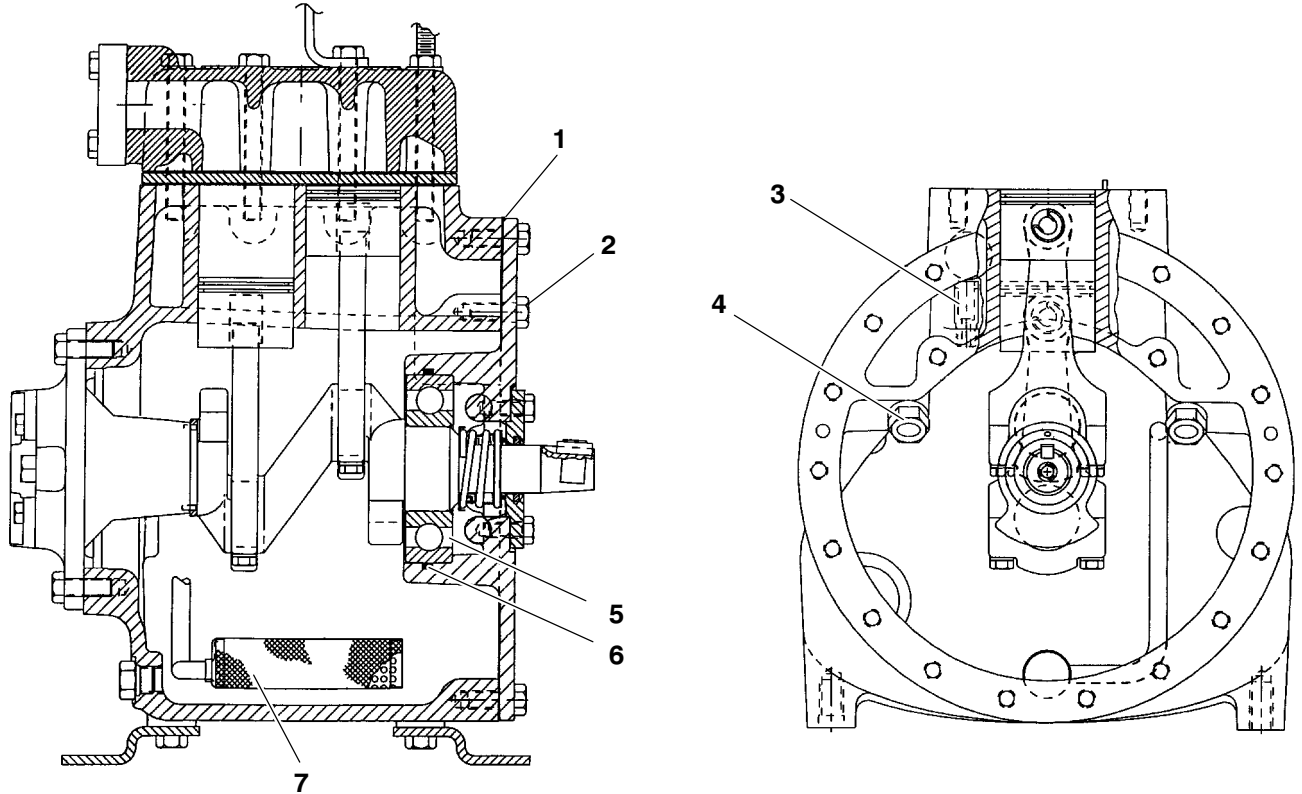
1	17-44715-00	Piston & Pin (Standard – Flat Top) – Includes:	A/R
1	17-44715-02	Piston & Pin (.020 Over –Flat Top) – Includes:	A/R
*1A	17-44727-00	Piston & Pin (Standard–Contoured Head) – Includes:	A/R
*1A	17-44727-02	Piston & Pin (.020 Over–Contoured Head) – Includes:	A/R
2	17-44703-00	Retainer, Piston Pin (NSI)	1
3	17-44702-00	Pin, Piston (NSI)	1
4	NSS	Piston	1
5	17-40055-00	Ring, Compression (Standard)	A/R
5	17-55025-00	Ring, Compression (.020" Oversize)	A/R
6	17-44719-00	Key, Crankshaft	1
7	17-44704-00	Connecting Rod & Cap (2 Cylinder Standard) – Includes:	A/R
7	17-40056-02	Connecting Rod & Cap (4 Cylinder Standard) – Includes:	4
7	17-55023-00	Connecting Rod & Cap (4 Cylinder .010) – Includes:	A/R
NS	17-40057-00	Pin, Dowel	2
8	17-55008-00	Capscrew (Special)	2
9	17-44728-01	Crankshaft (2 Cylinder – Vane Pump)	1
9	17-44724-00	Crankshaft (2 Cylinder – Gear & Low Profile Pumps)	1
9	17-44729-10	Crankshaft (4 Cylinder – Vane Pump)	1
9	17-44725-00	Crankshaft (4 Cylinder – Gear & Low Profile Pumps)	1
10	17-55009-01	Thrustwasher, Pump End	1

* For Refrigeration Use Only

05K Compressor

ITEM	PART NO.	DESCRIPTION	QTY
------	----------	-------------	-----

12. CRANKCASE



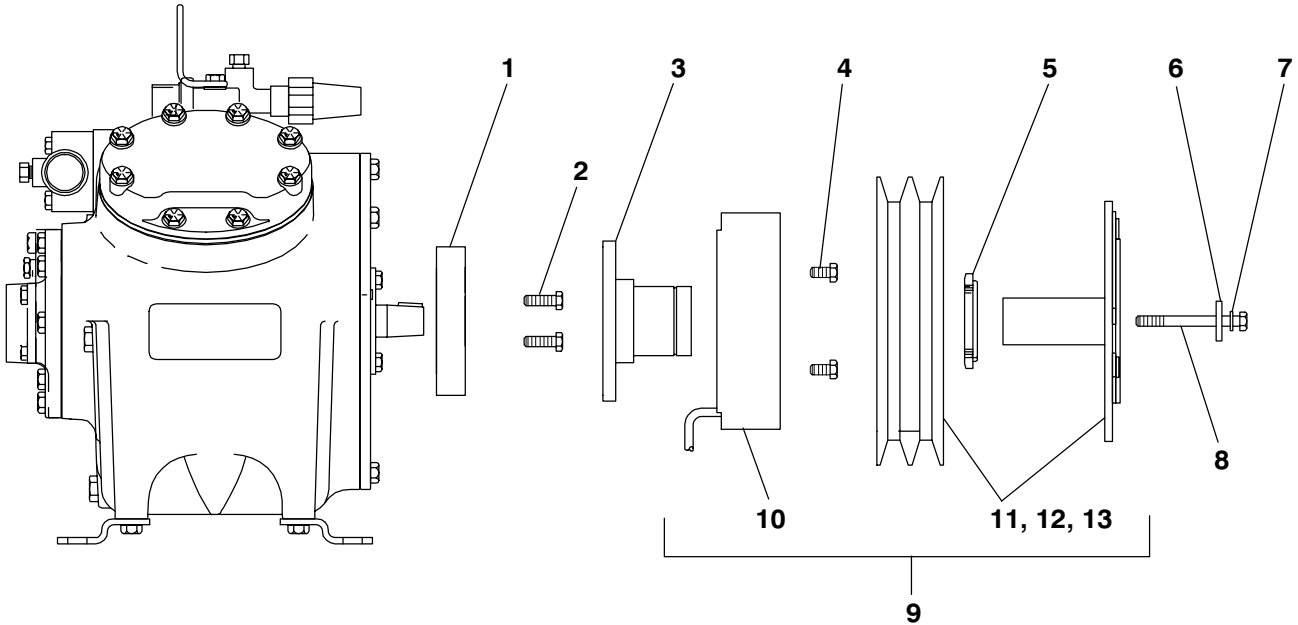
2 CYLINDER SHOWN

1	17-44023-00	Gasket, Front Cover 2 Cylinder	1
1	17-44024-00	Gasket, Front Cover 4 Cylinder	1
2	17-40034-05	Capscrew, Hex Head, 3/8-16 x 1" lg	24
3	17-44723-00	Valve, Oil Relief	1
4	17-40042-00	Valve, Oil Return	2
5	17-44722-00	Bearing, Main Seal End	1
6	17-44712-00	O-Ring	1
7	17-44717-00	Screen, Oil Filter 2 Cylinder	1
7	17-44718-00	Screen, Oil Filter 4 Cylinder	1

05K Compressor

ITEM	PART NO.	DESCRIPTION	QTY
------	----------	-------------	-----

13. CLUTCH ASSEMBLY



1	68PD1-1003	Adapter	1
2	34-00615-08	Capscrew, Hex Head 5/16-18 X 1" lg	4
3	68PD1-1013	Hub, Clutch Mounting	1
4	PL	Capscrew, Hex Head 5/16-18 X 5/8" lg	6
5	34-06083-00	Nut, Lock	1
6	68G2-9082-1	Washer, Special	1
7	PL	Washer, Lock	1
8	PL	Capscrew, Hex Head	1
9	50-01122-13	Clutch, Assembly 24 vdc, 2B Grooves – Includes:	1
9	50-01122-15	Clutch, Assembly 12 vdc, 2B Grooves – Includes:	1
9	50-01122-21	Clutch, Assembly 24 vdc, 2B-2A Grooves – Includes:	1
9	50-01122-23	Clutch, Assembly 24 vdc, 2AB-2B Grooves – Includes:	1
10	50-01122-41	Coil, 12 vdc	1
10	50-01122-50	Coil, 24 vdc	1
11	50-01122-92	Rotor, 2B Grooves – Includes:	1
11	50-01122-99	Rotor, 2B-2A Grooves – Includes:	1
11	50-01122-500	Rotor, 2AB-2B Grooves – Includes:	1
12	34-01186-00	Ring, Snap	1
13	04-00130-00	Bearing	1
} WARNER			
9	50-01130-27	Clutch, Assembly 24 vdc, 2B-2A Grooves – Includes:	1
10	50-50040-00	Coil, 24 vdc	1
12	50-50040-05	Ring, Snap	1
13	50-50040-04	Bearing	1
} LINNIG			

14. PRESSURE SWITCHES

NS	12-00299-00	Switch, High Pressure – R-22	1
NS	12-00299-07	Switch, High Pressure – R-134a	1
NS	12-00299-01	Switch, Low Pressure – R-22 & R-134a	1
NS	12-00334-01	Switch, Pressure (Unloader Sw. #1) – R-22	1
NS	12-00334-03	Switch, Pressure (Unloader Sw. #1) – R-134a	1