



TRANSICOLD

Service Parts List

DIESEL ENGINE

CT 3-69-TV

CONTENTS

Introduction	iii.viii
Model Chart	iii.viii
Ordering Instructions	iii.viii
General Notes	iii.viii
1. Crankcase	1
2. Oil Pan	2.3
3. Cylinder Head	4
4. Head Cover	5
5. Gear Case	6.7
6. Oil Filter	8
7. Dipstick	9
8. Main Bearing Case	10.11
9. Camshaft	12.13
10. Piston and Crankshaft	14.15
11. Flywheel	16
12. Engine Stop Lever	17
13. Fuel Camshaft	18.19
14. Stop Solenoid	20
15. Injection Pump	21
16. Injection Pump (Component Parts)	22.23
17. Governor	24.25
18. Speed Control Plate	26.27
19. Nozzle Holder	28
20. Nozzle Holder (Component Parts)	29
21. Fuel Pump	30
22. Pulley Water Pump	31
23. Tension Pulley	32
24. Starter	33
25. Starter (Component Parts)	34.35
26. Water Flange and Thermostat	36.37
27. Water Pump	38
28. Water Pipe	39
29. Valve, Rocker Arm	40.41
30. Exhaust Manifold	42
31. Inlet Manifold	43
32. Gasket Set	44



Carrier

A United Technologies Company

Carrier Transicold Europe. - 10, Bd de l'Oise 95031 Cergy Pontoise Cedex - FRANCE
Carrier Transicold Division, Carrier Corporation, P.O. Box 4805, Syracuse, N.Y. 13221

CT3-69-TV

INTRODUCTION

This parts lists identifies service replacement parts for the Carrier Transicold models listed in the following Model Chart.

MODEL CHART

Model	Part Nr	Description
CT3-69-TV	26-60002-02	Complete Engine

ORDERING INSTRUCTIONS

All orders and inquiries for parts must include:

- Unit Serial Number
- Description of part as shown on list
- Part No.
- Quantity required

Address all correspondence for parts to the following address according to your living area.

You live in:	EUROPE (East/West) AFRICA - MIDDLE EAST	C.T.E.	AMERICA (North/Middle/South) N.A.O.
Address your orders to:	CARRIER TRANSICOLD EUROPE 10, Boulevard de l'Oise F-95031 CERGY-PONTOISE CEDEX Phone: (33).2.35.79.46.46 Fax : (33).2.35.79.22.32		CARRIER TRANSICOLD Division Replacement Components Group TR-20 P.O. Box 4805, Syracuse, NY 13221 or Fax to : (315) 432.3778

GENERAL NOTES

To find replacement parts, determine major group in which replacement part is located, consult table of contents for the appropriate page for the illustrated breakdown of the replacement part.

The following letter designations are used to classify parts throughout this list.

A/R	As Required.	NSS	<i>Not Sold Separately - order next higher assembly or kit.</i>
NLO	<i>No Longer Offered.</i>	PL	<i>Purchase Locally.</i>
NS	<i>Not Shown in the illustration.</i>	SST	<i>Stainless Steel - 300 Series unless otherwise specified.</i>
NSA	Non-Stock Assembly - order components listed under the assembly	SV	<i>Suffix SV - added to part number</i>
NSI	<i>Non-Stock - may be available on special order</i>		

CT3-69-TV

INTRODUCTION

Ce manuel pièces de rechange rassemble toutes les pièces de rechange des modèles listés dans le tableau ci-dessous.

MODEL CHART

Modèle	N° Code	Désignation
CT3-69-TV	26-60002-02	Moteur complet

INSTRUCTIONS DE COMMANDE

Toutes les commandes et demandes de pièces détachées devront comporter :

- le N° de série du groupe
- le N° de code
- la désignation de la pièce et son repère sur la planche
- la quantité demandée

Adresser toute correspondance à l'adresse suivante suivant votre lieu de résidence.

Vous habitez :	EUROPE (Est/Ouest) AFRIQUE - MOYEN ORIENT	C.T.E.	AMERIQUE (Nord/Centre/Sud) N.A.O.
Adressez vos commandes à :	CARRIER TRANSICOLD EUROPE 10, Boulevard de l'Oise F-95031 CERGY-PONTOISE CEDEX Tél. : 02.35.79.46.46 Fax : 02.35.79.22.32		CARRIER TRANSICOLD Division Replacement Components Group TR-20 P.O. Box 4805, Syracuse, NY 13221 or Fax to : (315) 432.3778

NOTES GENERALES

Pour trouver la pièce de rechange, déterminer l'ensemble principal dans lequel se trouve la pièce, consulter la table des matières pour trouver la page appropriée qui illustre l'ensemble contenant la pièce.

Les lettres suivantes sont utilisées pour classifier les pièces dans le manuel.

A/R	<i>Comme demandé.</i>	NSS	<i>Non vendu séparément. Commander l'ensemble qui inclut la pièce</i>
NLO	<i>Arrêté.</i>	PL	<i>A acheter localement.</i>
NS	<i>Non représenté sur la vue.</i>	SST	<i>Acier Inox Inox série 300 si non spécifié.</i>
NSA	<i>Non stocké assemblé. Commander les composants listés sous l'ensemble</i>	SV	<i>Le suffixe SV ajouté au N° de code désigne un kit de pièces de rechange.</i>
NSI	<i>Non stocké. Peut être obtenu sur commande.spéciale</i>		

CT3-69-TV

EINFÜHRUNG

Im vorliegenden Ersatzteil-Handbuch werden alle Ersatzteile der in der nachstehenden Tabelle aufgeführten Modelle zusammengestellt.

MODEL CHART

Modell	Kode No	Beschreibung
CT3-69-TV	26-60002-02	Diesel Motoren

BESTELLANWEISUNG

Bei Bestellungen und Anfragen für Ersatzteile sind folgende Angaben zu machen:

- Serien N° des Gerätes
- Die Bezeichnung des Teiles und sein Kennzeichen auf der Explosionszeichnung
- Kodenummer
- Die gewünschte Menge

Richten Sie bitte Ihre Korrespondenz an folgende Adresse, je nach Ihrem Standort:

Ihr Standort	EUROPA (Ost/West) AFRIKA - MITTL. OSTEN	E.T.O.	Nord/Zentral/Südamerika	N.A.O.
Richten Sie bitte Ihre Bestellungen an :	CARRIER TRANSICOLD EUROPE 10, Boulevard de l'Oise F-95031 CERGY-PONTOISE CEDEX Phone: (33).2.35.79.46.46 Fax : (33).2.35.79.22.32		CARRIER TRANSICOLD Division Replacement Components Group TR-20 P.O. Box 4805, Syracuse, NY 13221 or Fax to : (315) 432.3778	

ALLGEMEINES

Um das Ersatzteil zu finden, ist das Hauptbestandteil, in welchem dieses Teil sich befindet, zu bestimmen. Hierzu ist das Inhaltsverzeichnis vorzunehmen, um die entsprechende Seite mit der Explosionszeichnung zu finden.

Folgende Buchstaben werden zur Klassifizierung der Teile im Handbuch verwendet:

A/R	<i>Je nach Anfrage.</i>	NSS	<i>Nicht separat lieferbar. Bestellen Sie bitte die komplette Einheit, die dieses Teil enthält.</i>
NLO	<i>Nicht mehr lieferbar.</i>	PL	<i>Ist an Ort und Stelle zu besorgen.</i>
NS	<i>Nicht auf der Zeichnung dargestellt.</i>	SST	<i>Rostfreier Stahl (Inoxserie 300, falls nicht anders spezifiziert).</i>
NSA	<i>Nicht als Montagesatz gelagert. Bestellen Sie die Bestandteile gemäß der detaillierten Liste.</i>	SV	<i>Das Suffix SV nach der Kodenummer kennzeichnet einen Ersatzteilkit.</i>
NSI	<i>Nicht gelagert. Kann auf spezielle Bestellung geliefert werden.</i>		

CT3-69-TV

INTRODUCCIÓN

Este manual de recambios reúne todas las piezas de recambio de los modelos enumerados en el cuadro a continuación.

MODELOS

Modelo	N° de Código	Designación
CT3-69-TV	26-60002-02	Motores

INSTRUCCIONES PARA HACER UN PEDIDO

En todos los pedidos de recambios habrá que especificar :

- el número de serie del equipo
- el número de código
- el nombre de la pieza y su lugar en la tabla
- la cantidad pedida

Enviar la correspondencia a la dirección siguiente según el lugar de residencia.

Vd Vive en :	EUROPA (Este/Oeste) AFRICA - Y MEDIO ORIENTE	E.T.O.	AMERICA (Norte/Central/Súr) N.A.O.
Dirigir los pedidos a :	CARRIER TRANSICOLD EUROPE 10, Boulevard de l'Oise F-95031 CERGY-PONTOISE CEDEX Tel.: (33).2.35.79.46.46 Fax : (33).2.35.79.22.32		CARRIER TRANSICOLD Division Replacement Components Group TR-20 P.O. Box 4805, Syracuse, NY 13221 or Fax to : (315) 432.3778

NOTAS GENERALES

Para localizar el recambio, hay que determinar el conjunto principal al cual pertenece la pieza, consultar el índice para localizar la página correcta que ilustra el conjunto que incluye el recambio.

Las letras siguientes se utilizan para clasificar los recambios en el manual :

A/R	<i>Según pedido.</i>	NSS	<i>No se vende por separado. Pedir el conjunto incluye la pieza.</i>
NLO	<i>Fin de fabricación.</i>	PL	<i>Compra local.</i>
NS	<i>No está representado en el dibujo.</i>	SST	<i>Acero Inoxidable - Inox Seria 300 si no se especifica.</i>
NSA	<i>No se almacena montado. Pedir los componentes listados debajo del conjunto.</i>	SV	<i>El sufijo SV añadido al n° de código designa un kit de piezas de recambios.</i>
NSI	<i>No existe en stock. Puede conseguirse con un pedido especial.</i>		

CT3-69-TV

INTRODUZIONE

Questo manuale - parti di ricambio - raggruppa tutti i ricambi dei modelli presentati nella tabella qui sotto.

TAVOLA DEI MODELLI

Modello	Codice	Descrizione
CT3-69-TV	26-60002-02	Motori

ISTRUZIONI PER LA COMPILAZIONE DELL'ORDINE

Tutti gli ordini e le richieste di parti di ricambio dovranno comprendere :

- il n° matricola del gruppo
- il n° di codice
- la designazione del pezzo e il suo riferimento sull'esploso
- la quantità richiesta

Indirizzare la corrispondenza all'indirizzo seguente, secondo il vostro luogo di residenza.

Voi abitate :	EUROPA (Est/Ouest) AFRICA - MEDIO ORIENTE	E.T.O.	AMERICA (Nord/Centro/Sud)	N.A.O.
Indirizzate i vostri ordini a :	CARRIER TRANSICOLD EUROPE 10, Boulevard de l'Oise F-95031 CERGY-PONTOISE CEDEX Tel.: (33).2.35.79.46.46 Fax : (33).2.35.79.22.32		CARRIER TRANSICOLD Division Replacement Components Group TR-20 P.O. Box 4805, Syracuse, NY 13221 or Fax to : (315) 432.3778	

NOTE GENERALI

Per cercare il pezzo di ricambio singolo, determinare l'insieme principale nel quale esso si trova, consultare l'indice per trovare la pagina corrispondente che illustra l'insieme che lo contiene.

Le lettere seguenti sono utilizzate per classificare i ricambi nel manuale :

A/R	<i>Come richiesto.</i>	NSS	<i>Non venduto separatamente : ordinare l'insieme che contiene il pezzo singolo.</i>
NLO	<i>Fuori produzione.</i>	PL	<i>Da comprare sul posto.</i>
NS	<i>Non rappresentato sul disegno.</i>	SST	<i>Acciaio Inox. Inox serie 300 se non è specificato.</i>
NSA	<i>Non disponibile assemblato : ordinare i componenti elencati sotto l'insieme.</i>	SV	<i>Il suffisso SV aggiunto al n° di codice indica un kit di parti di ricambio</i>
NSI	<i>Non in stock : puo essere attenuto con un ordine speciale.</i>		

CT3-69-TV

INTRODUKTIE

Dit handboek onderdelen betreft de in de onderstaande modellen gemonteerde onderdelen.

MODEL TABEL

Model	Onderdeelnr.	Omschrijving
CT3-69-TV	26-60002-02	Motor

BESTEL INSTRUCTIES

Bij alle aanvragen van reserve onderdelen moeten vermeld zijn :

- Serienummer van de groep
- Code nummer
- Onderdeelbeschrijving + nummeraanduiding
- Gewenst aantal

Richt alle correspondentie aan het volgende adres :

U woont:	EUROPA (Oost/West) AFRICA - MIDDEN OOSTEN	E.T.O.	AMERIKA Noord/Centraal/Zuid) N.A.O.
Zend uw orders naar:	CARRIER TRANSICOLD EUROPE 10, Boulevard de l'Oise F-95031 CERGY-PONTOISE CEDEX Phone: (33).2.35.79.46.46 Fax : (33).2.35.79.22.32		CARRIER TRANSICOLD Division Replacement Components Group TR-20 P.O. Box 4805, Syracuse, NY 13221 or Fax to : (315) 432.3778

ALGEMENE OPMERKINGEN

Om de benodigde onderdelen te localiseren, richt u tot de groep waar het specifieke onderdeel zich bevindt, en raadpleeg de inhoudstabel voor de juiste pagina.

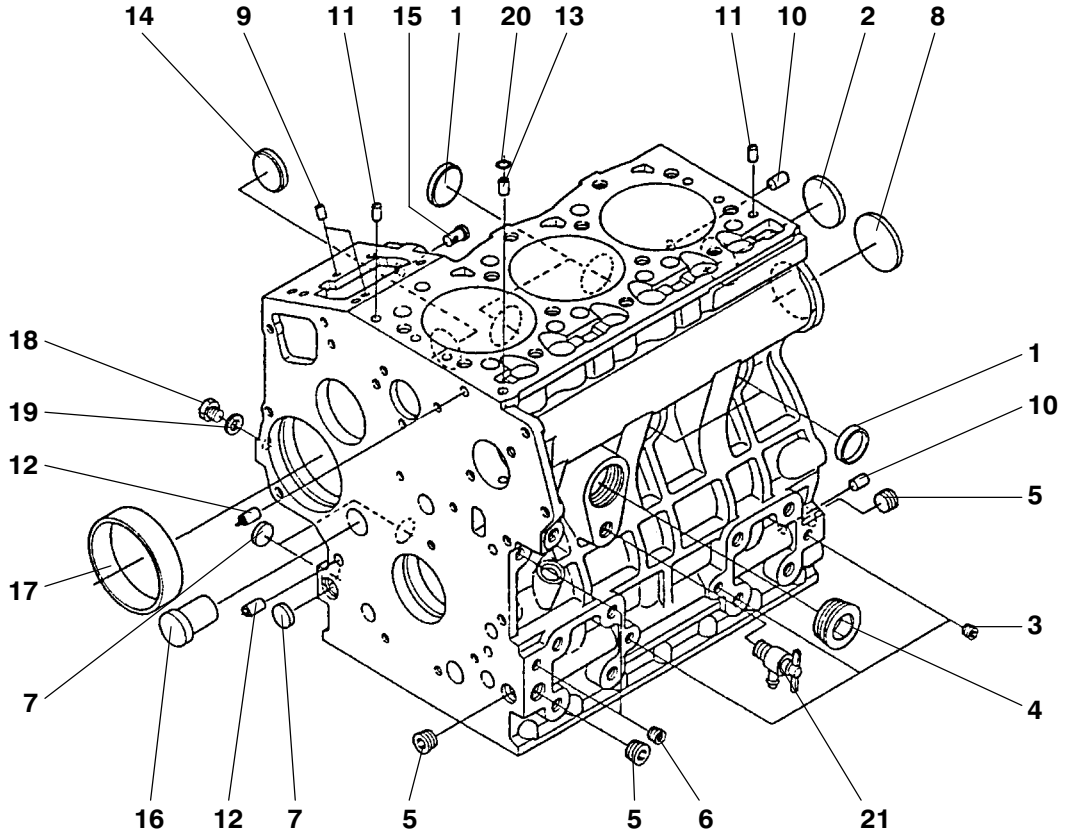
De onderstaande afkortingen worden gebruikt :

A/R	<i>Zoals gewenst.</i>	NSS	<i>Niet apart leverbaar, bestel bovengenoemde set.</i>
NLO	<i>Niet meer gebruikt.</i>	PL	<i>Koop dit onderdeel plaatselijk.</i>
NS	<i>Niet aangegeven in tekening.</i>	SST	<i>Roestvaststaal .300 serie tenzij anders aangegeven.</i>
NSA	<i>Niet als set leverbaar, bestel aparte onderdelen.</i>	SV	<i>Achter het onderdeel betekent service onderdeel</i>
NSI	<i>Niet op voorraad, allen voor speciale orders leverbaar.</i>		

CT3-69-TV

ITEM	PART NO.	DESCRIPTION	QTY
------	----------	-------------	-----

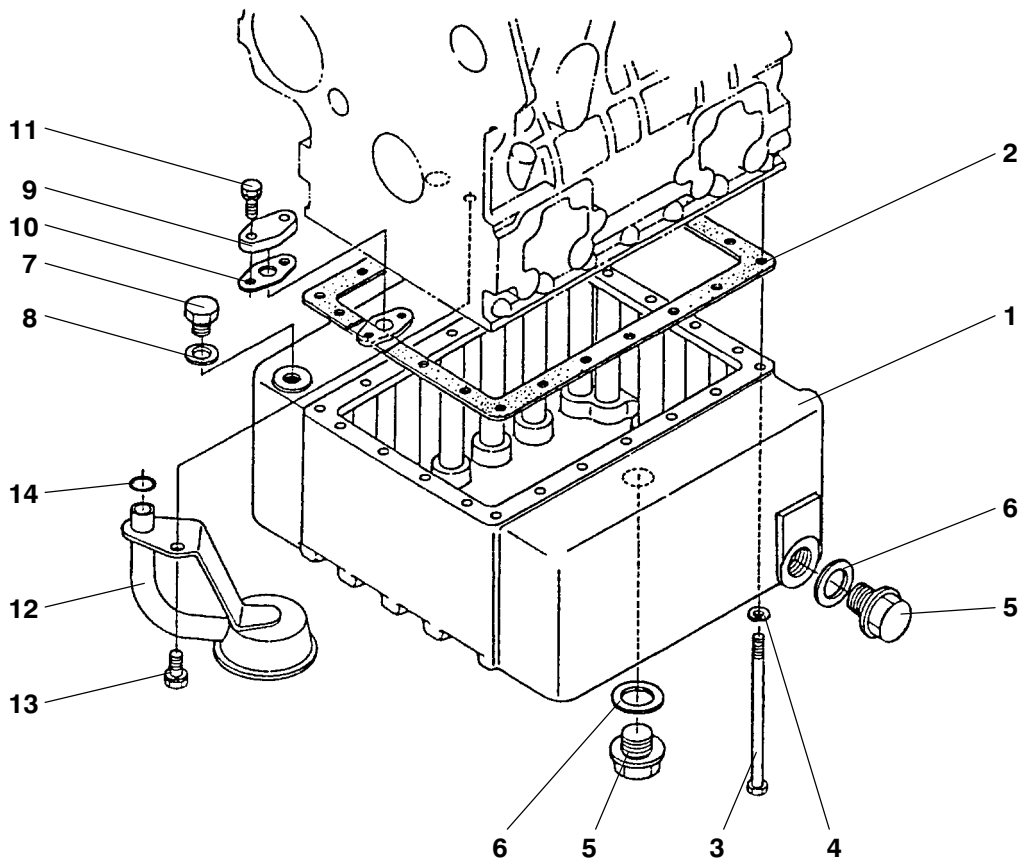
1. CRANKCASE



1	944003	Cap, Sealing	4
2	942002	Cap, Sealing	1
3	941403	Plug	3
4	29-70241-00	Plug	1
5	945502	Plug	3
6	942003	Plug	2
7	7103017	Plug, expansion	3
8	945503	Plug, expansion	1
9	944008	Pin, straight	2
10	942006	Pin, straight	2
11	945504	Pin, straight	2
12	942007	Pin, pipe	2
13	945505	Pin, pipe	1
14	945506	Plug	1
15	29-70242-00	Pin, start spring	1
16	945510	Plug	1
17	945508	Bush, governor gear	1
18	29-70236-00	Plug	1
19	941420	Gasket	1
20	941330	O Ring	1
21	944013	Assy cock, drain	1

CT3-69-TV

2. OIL PAN



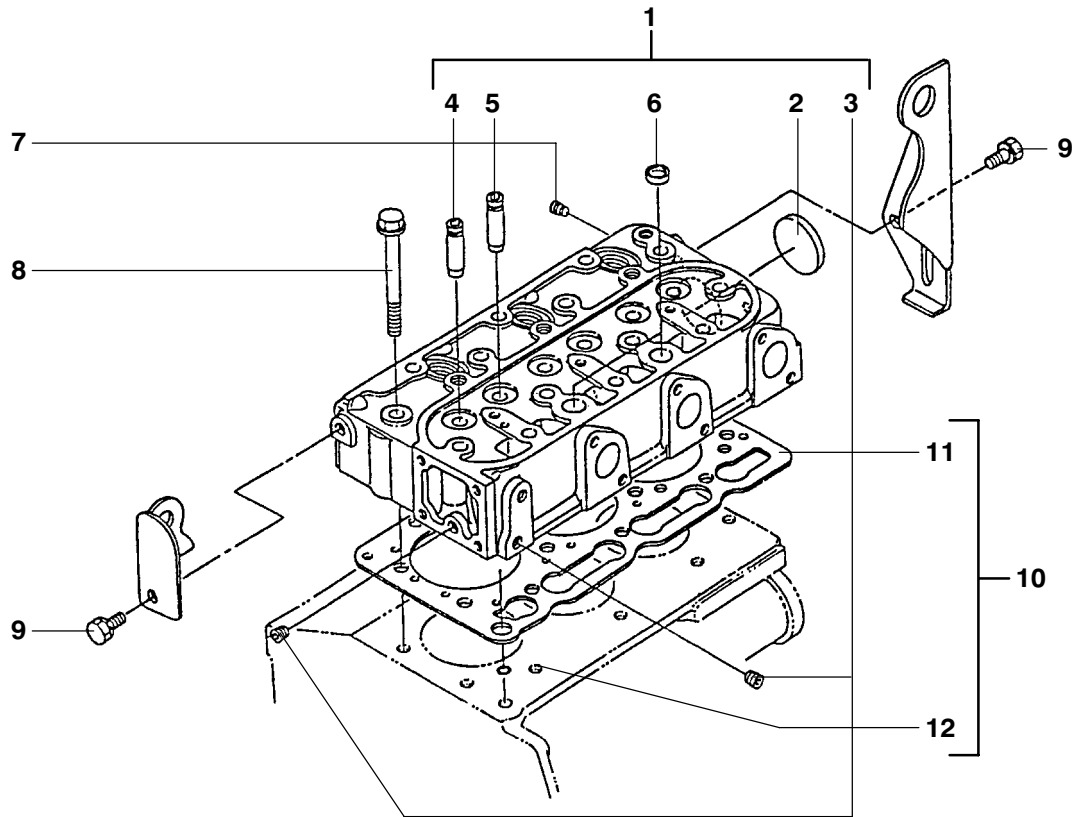
CT3-69-TV

ITEM	PART NO.	DESCRIPTION	QTY
2. OIL PAN			
1	29-70131-00	Oil pan	1
2	29-70132-00	Gasket, oil pan	1
3	944025	Bolt	22
4	29-70067-00	Washer, spring	22
5	29-70237-00	Plug, drain	2
6	942021	Gasket	2
7	29-70238-00	Plug	1
8	943503	Gasket	1
9	29-70239-00	Cover, oil pan	1
10	944539	Gasket, oil gauge	1
11	944050	Bolt	2
12	29-70240-00	Filter, oil	1
13	944189	Bolt	1

CT3-69-TV

ITEM	PART NO.	DESCRIPTION	QTY
------	----------	-------------	-----

3. CYLINDER HEAD

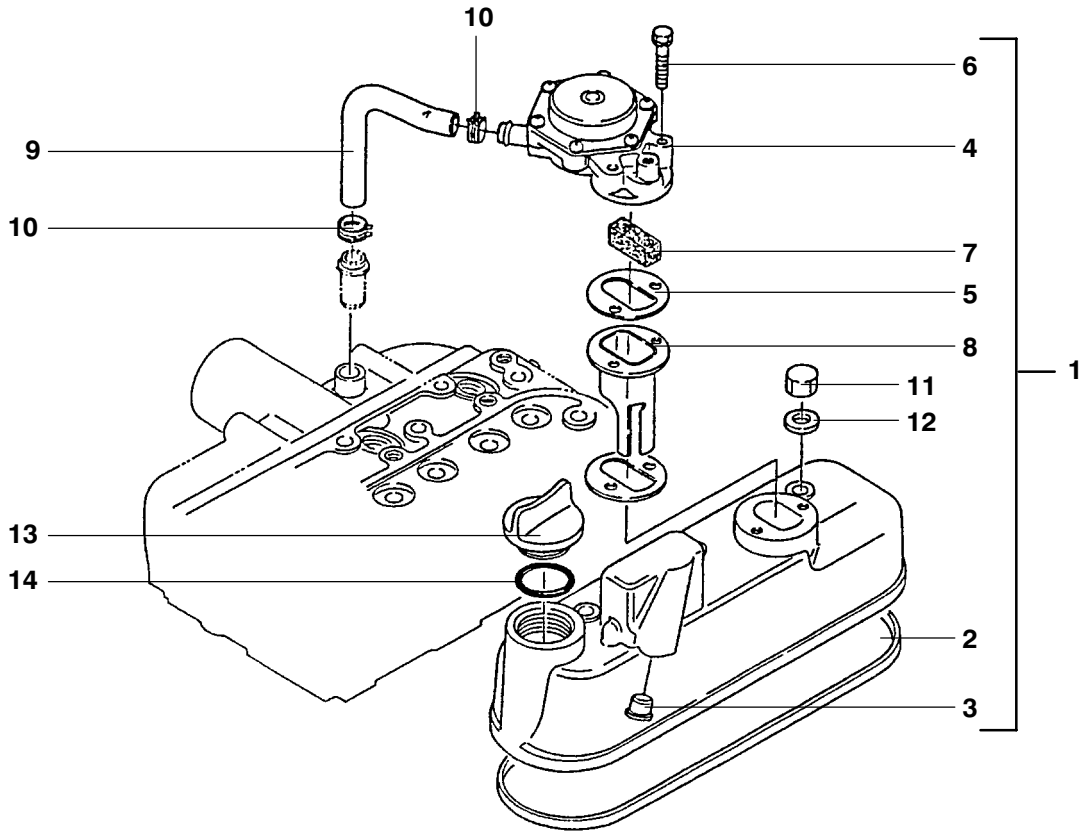


1	29-70133-00	Comp. cylinder head — Includes:	1
2	29-70002-00	Cap, sealing	1
3	941403	Plug	2
4	945521	Guide, inlet valve	3
5	945522	Guide, exhaust valve	3
6	941401	Cap, sealing	2
7	944041	Plug	1
8	945523	Bolt, cylinder head	14
9	944030	Bolt	2
10	29-70135-00	Kit, gasket cylinder head — Includes:	1
11	NSS	Gasket, cylinder head	1
12	941330	O Ring	1

CT3-69-TV

ITEM	PART NO.	DESCRIPTION	QTY
------	----------	-------------	-----

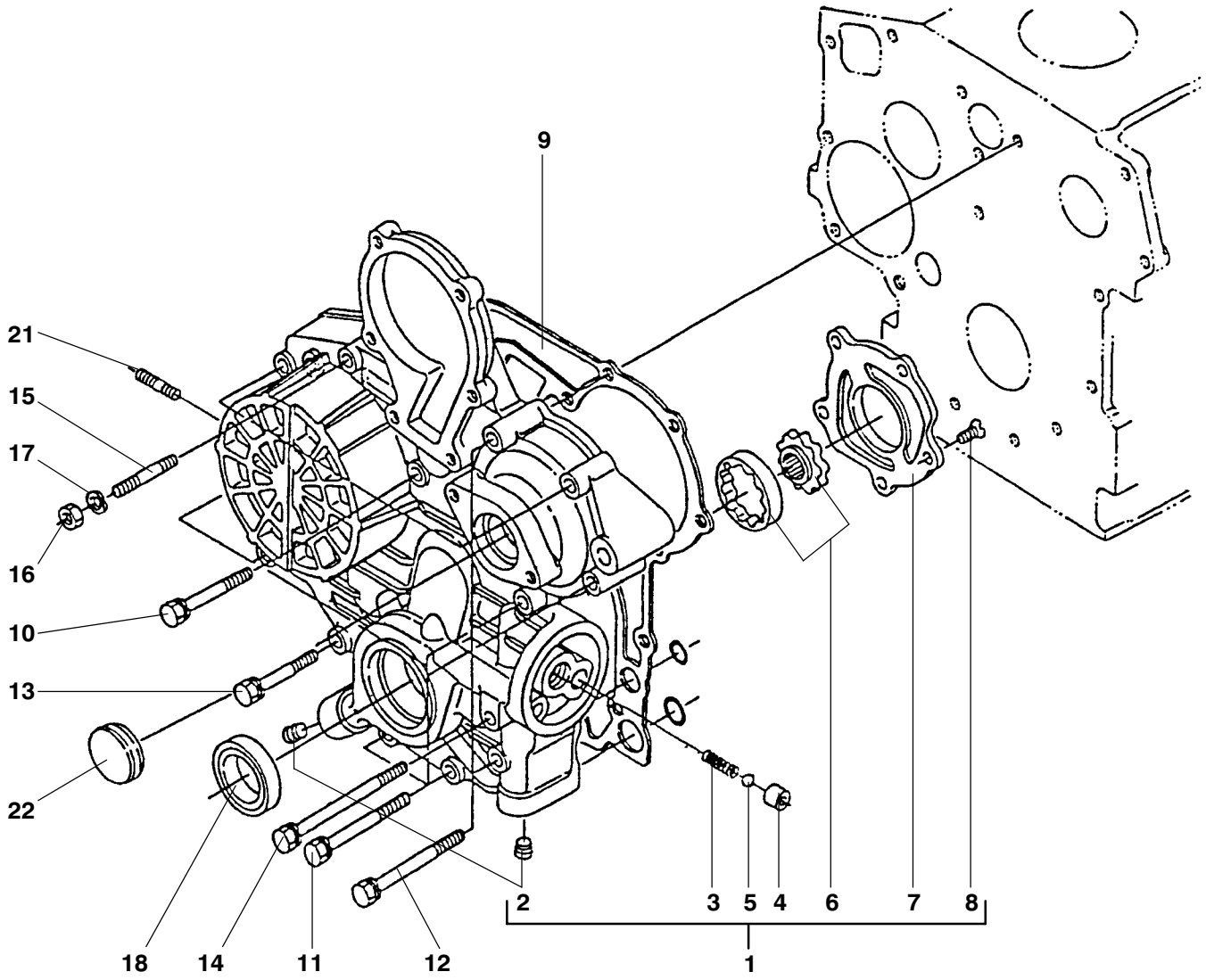
4. HEAD COVER



1	29-70141-00	Assy Cover, cylinders head — Includes:	1
2	29-70142-00	Gasket, head cover	1
3	29-70246-00	Plug	1
4	7102386	Comp. breather	1
5	7102387	Gasket, breather	2
6	944261	Bolt	2
7	7102385	Element, breather	1
8	7102388	Plate	1
9	7102389	Pipe, breather	1
10	29-70191-00	Band, pipe	2
11	945563	Nut, cap	3
12	942049	Gasket	3
13	941066	Plug, oil Filter	1
14	942050	O Ring	1

CT3-69-TV

5. GEAR CASE



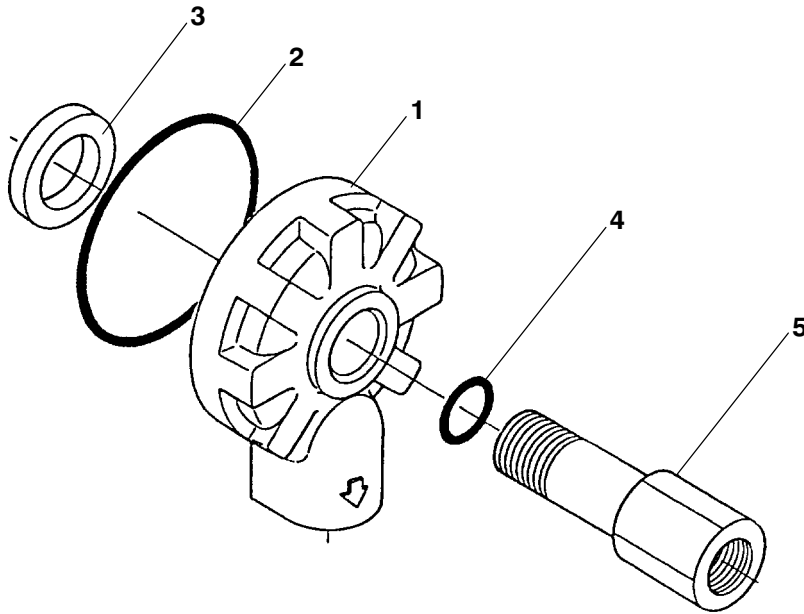
CT3-69-TV

ITEM	PART NO.	DESCRIPTION	QTY
5. GEAR CASE			
1	29-70162-00	Comp. Case, gear — Includes:	1
2	29-70163-00	Plug	2
3	945528	Spring	1
4	945529	Seat, valve	1
5	943602	Ball	1
6	945530	Assy Rotor, oil pump	1
7	29-70164-00	Cover, oil pump	1
8	945532	Screw, gear case	5
9	945533	Gasket, gear case	1
10	944102	Bolt	2
11	944051	Bolt	2
12	945732	Bolt	1
13	944301	Bolt	2
14	945535	Bolt	1
15	945536	Stud	1
16	941417	Nut	1
17	29-70067-00	Washer, spring	1
18	945537	Seal, oil	1
19	945538	O Ring	2
20	945755	O Ring	2
21	941477	Stud	2
22	29-70244-00	Cover	1

CT3-69-TV

ITEM	PART NO.	DESCRIPTION	QTY
------	----------	-------------	-----

6. OIL FILTER

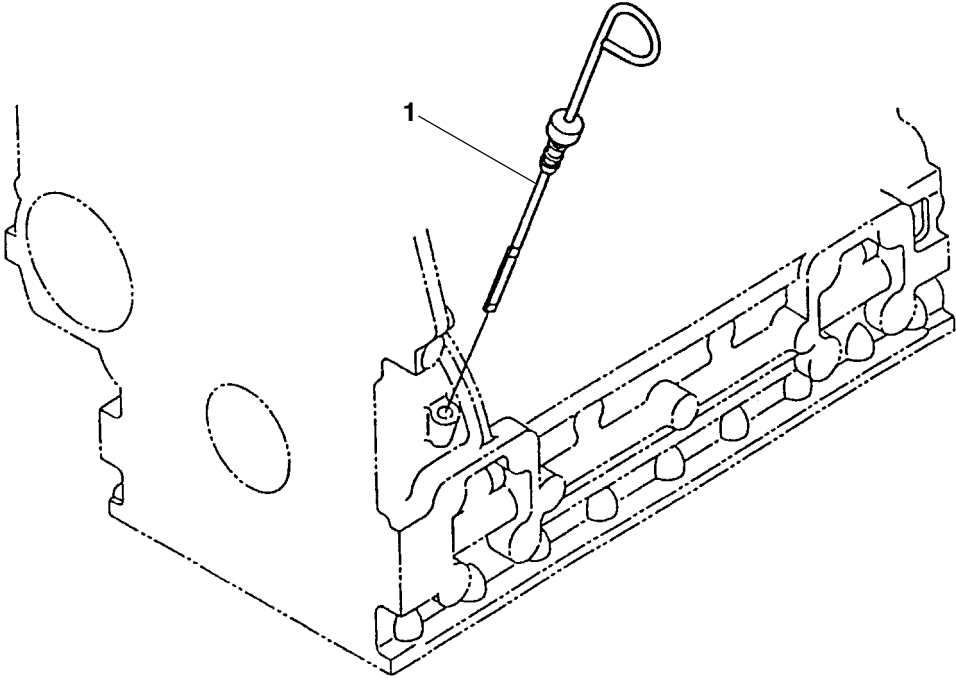


1	29-70192-00	Base, oil Filter	1
2	945754	O Ring	1
3	29-70194-00	Joint, pipe	1
4	945755	O Ring	1
5	29-70193-00	Collar	1

CT3-69-TV

ITEM	PART NO.	DESCRIPTION	QTY
------	----------	-------------	-----

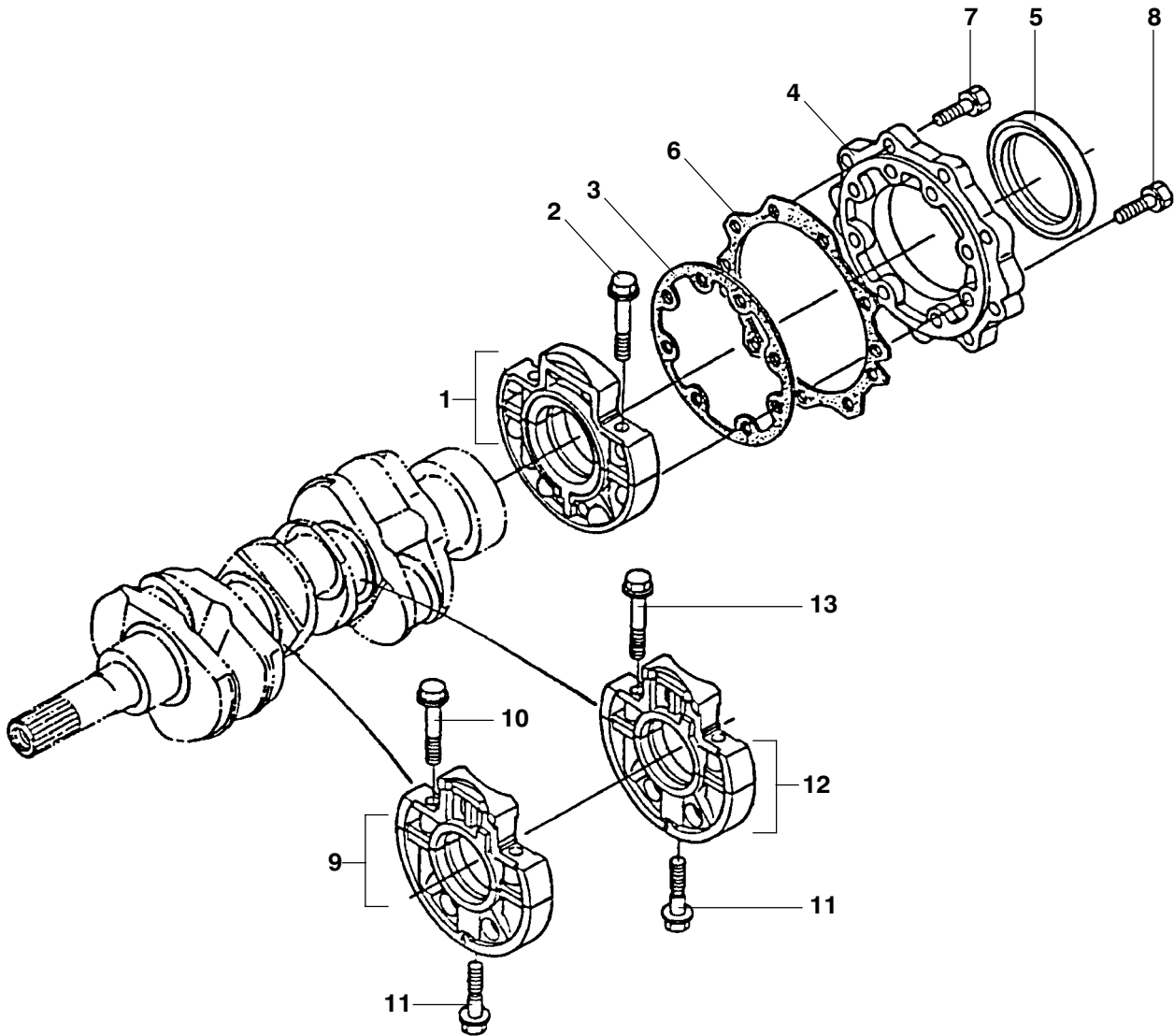
7. DIPSTICK



1	29-70146-00	Gauge, oil	1
---	-------------	------------	---

CT3-69-TV

8. MAIN BEARING CASE

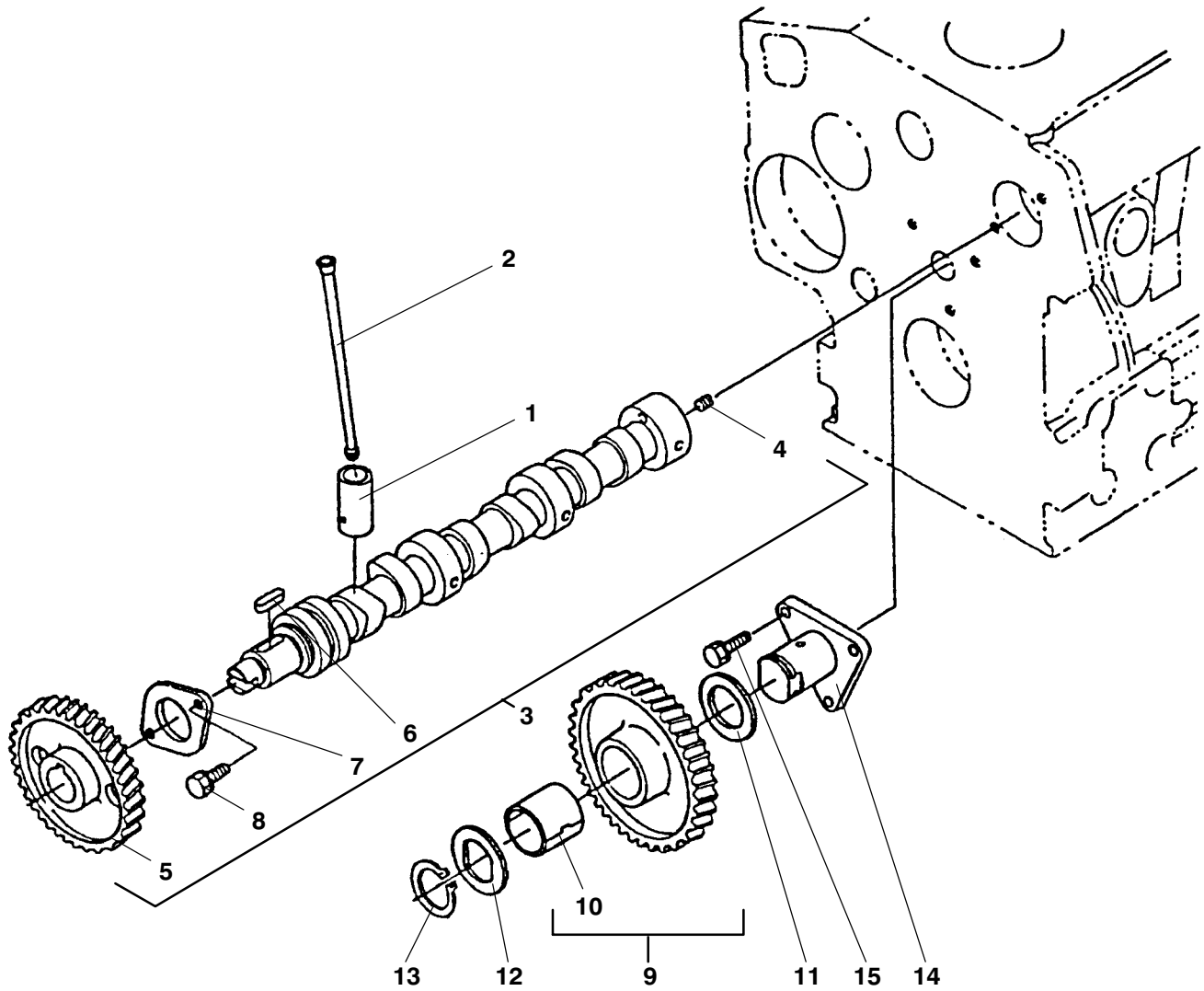


CT3-69-TV

ITEM	PART NO.	DESCRIPTION	QTY
8. MAIN BEARING CASE			
1	945546	Assy case, main brg.	1
2	945547	Bolt, bearing case	2
3	945548	Gasket, brg, case	1
4	29-70160-00	Cover, bearing case	1
5	945550	Seal, oil	1
6	945551	Gasket	1
7	944319	Bolt	8
8	941478	Bolt	9
9	7103023	Assy case, main brg.	1
10	945547	Bolt, bearing case	2
11	945553	Bolt, bearing case	2
12	7103024	Assy case, main Brg.	1
13	945547	Bolt, bearing case	2

CT3-69-TV

9. CAMSHAFT

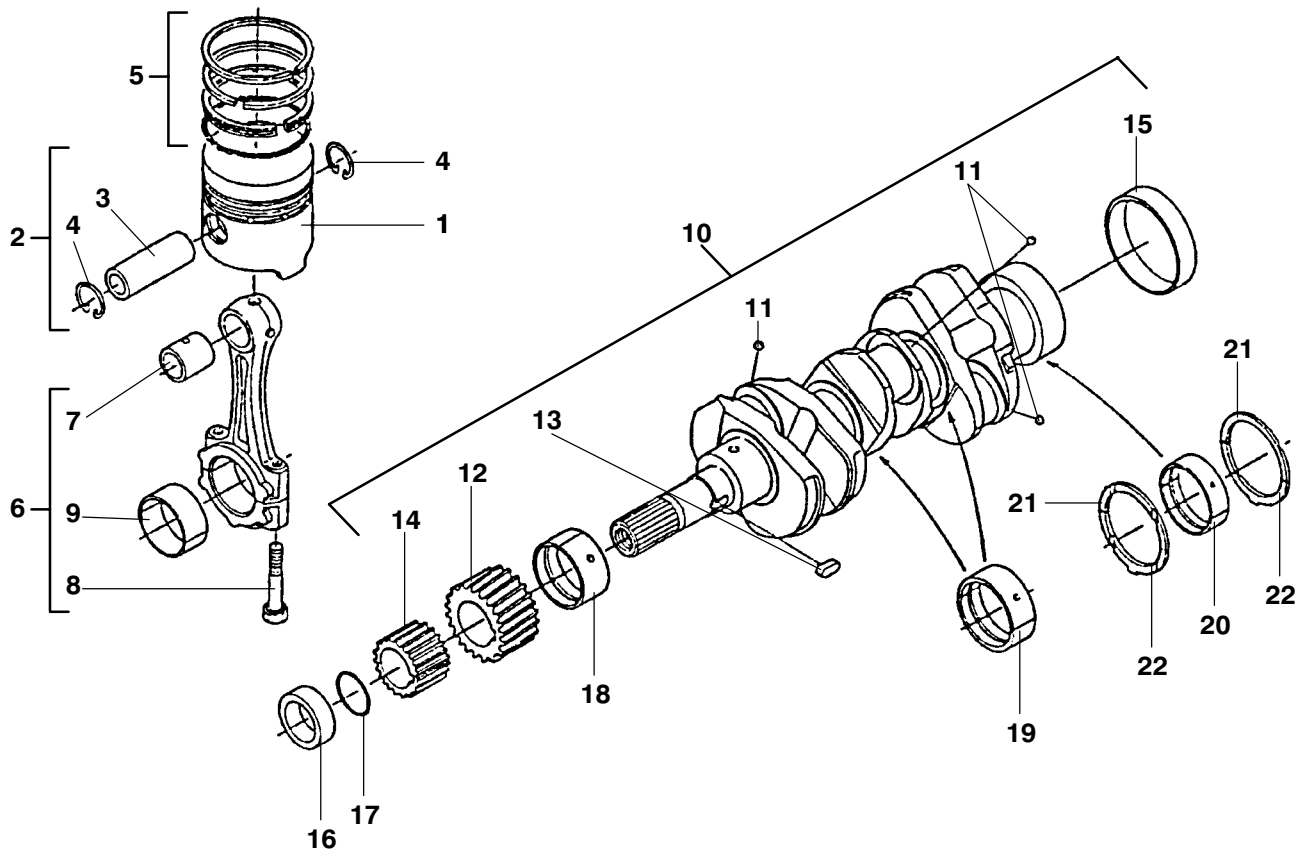


CT3-69-TV

ITEM	PART NO.	DESCRIPTION	QTY
9. CAMSHAFT			
1	941454	Tappet	6
2	945587	Push rod	6
3	29-70165-00	Assy camshaft — Includes:	1
4	25-37351-00	Screw, set	1
5	945589	Gear, cam	1
6	942582	Key, Feather	1
7	945590	Stopper, camshaft	1
8	945718	Bolt	2
9	945591	Comp gear, idle — Includes:	1
10	945594	Bush, idle gear	1
11	945595	Collar, idle gear	1
12	945596	Collar, idle gear	1
13	945597	Circlip, idle gear	1
14	945598	Shaft, idle gear	1
15	941446	Bolt	5

CT3-69-TV

10. PISTON AND CRANKSHAFT



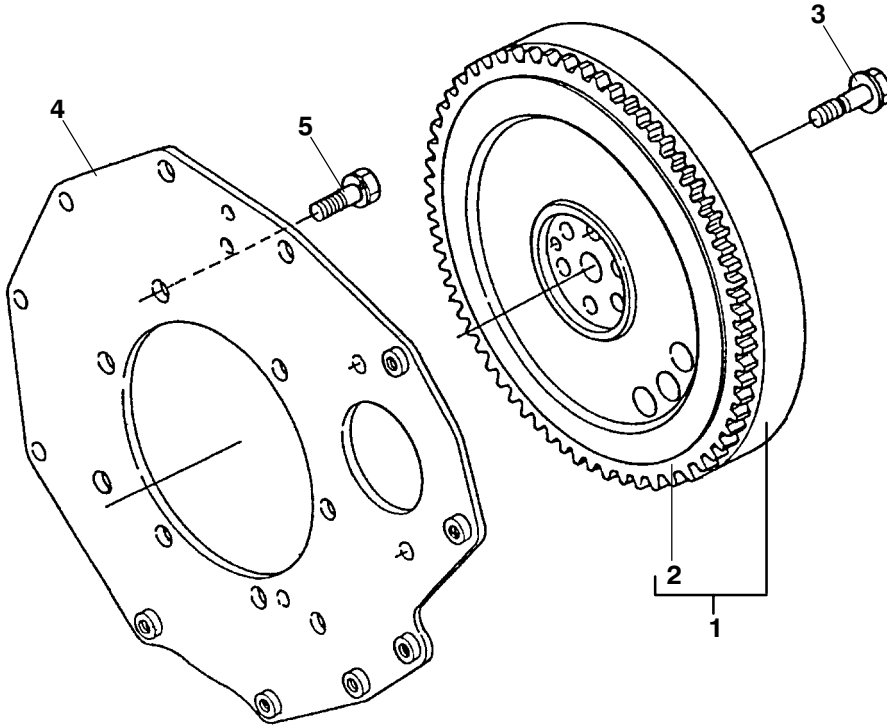
CT3-69-TV

ITEM	PART NO.	DESCRIPTION	QTY
10. PISTON AND CRANKSHAFT			
1	7103031	Piston	3
1	7103033	Piston (+ 0,5 mm)	3
2	7103032	Assy, Piston — Includes :	3
3	945601	Pin, Piston	1
4	845602	Circlip	2
2	7103034	Assy, Piston (+ 0,5 mm) — Includes :	3
3	945601	Pin, Piston	1
4	944602	Circlip	2
5	7103035	Assy piston ring	3
5	7103036	Assy piston ring (+ 0,5 mm)	3
3	945601	Pin, piston	3
4	945602	Circlip, piston pin	6
6	945603	Assy connecting rod — Includes :	3
7	945759	Bush, piston pin	3
8	945604	Bolt, connecting rod	6
9	945605	Metal, crankpin	3
9	945606	Metal, crankpin (- 0,2 mm)	3
9	945607	Metal, crankpin (- 0,4 mm)	3
10	29-70143-00	Comp. crankshaft — Includes:	1
11	944162	Ball	3
12	945609	Gear, crank	1
13	945610	Key	1
14	945611	Gear, oil pump drive	1
15	945612	Sleeve crankshaft	1
16	945613	Collar, crankshaft	1
17	945614	O Ring	1
18	945615	Metal, crankshaft	1
18	945616	Metal, crankshaft (- 0,2 mm)	1
18	945617	Metal, crankshaft (- 0,4 mm)	1
19	945618	Metal, crankshaft	2
19	945619	Metal, crankshaft (- 0,2 mm)	2
19	945620	Metal, crankshaft (- 0,4 mm)	2
20	945621	Metal, crankshaft	1
20	945622	Metal, crankshaft (- 0,2 mm)	1
20	945623	Metal, crankshaft (- 0,4 mm)	1
21	945624	Metal, side	2
21	945625	Metal, side (+ 0,2 mm)	2
21	945626	Metal, side (+ 0,4 mm)	2
22	945627	Metal, side	2
22	945628	Metal, side (+ 0,2 mm)	2
22	945629	Metal, side (+ 0,4 mm)	2

CT3-69-TV

ITEM	PART NO.	DESCRIPTION	QTY
------	----------	-------------	-----

11. FLYWHEEL

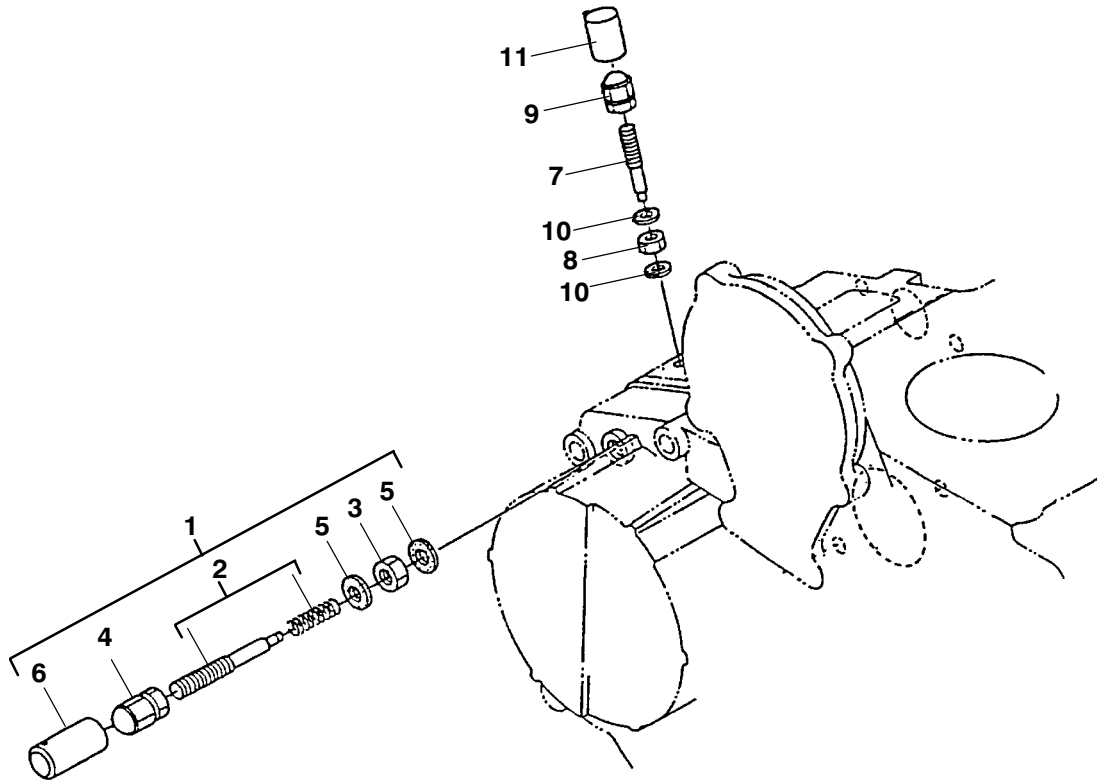


1	29-70144-00	Comp. Flywheel — Includes:	1
2	945631	Gear, ring	1
3	945632	Bolt, Flywheel	6
4	29-70145-00	Plate, rear end	1
5	944698	Bolt	8

CT3-69-TV

ITEM	PART NO.	DESCRIPTION	QTY
------	----------	-------------	-----

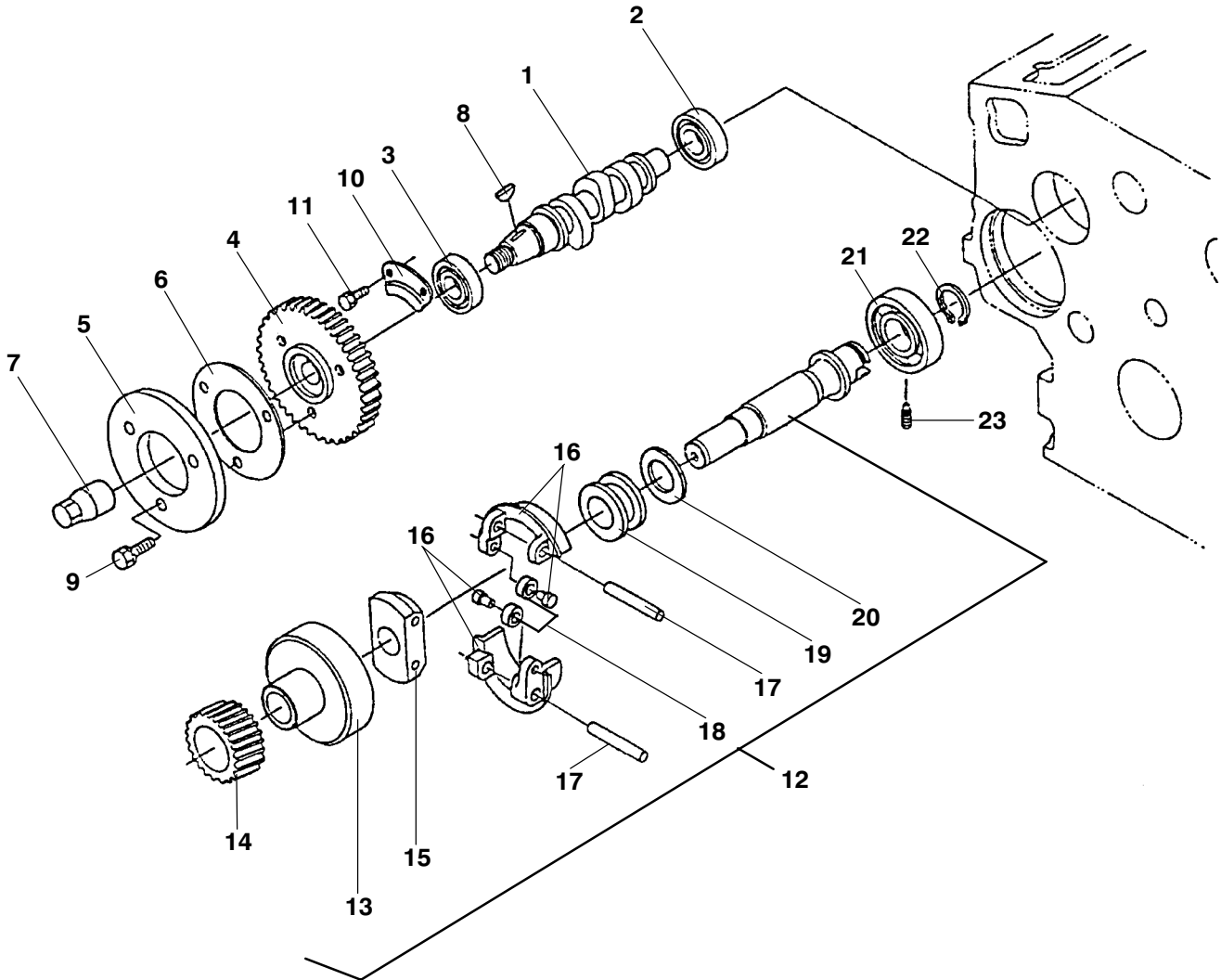
12. ENGINE STOP LEVER



1	29-70202-00	Assy Apparatus ; Idle — Includes:	1
2	29-70203-00	Assy bolt, adjusting	1
3	944242	Nut	1
4	944244	Nut, cap	1
5	944095	Gasket	2
6	29-70204-00	Cap	1
7	945687	Bolt, adjusting	1
8	944242	Nut	1
9	944244	Gasket	2
10	944095	Cap	1

CT3-69-TV

13. FUEL CAMSHAFT



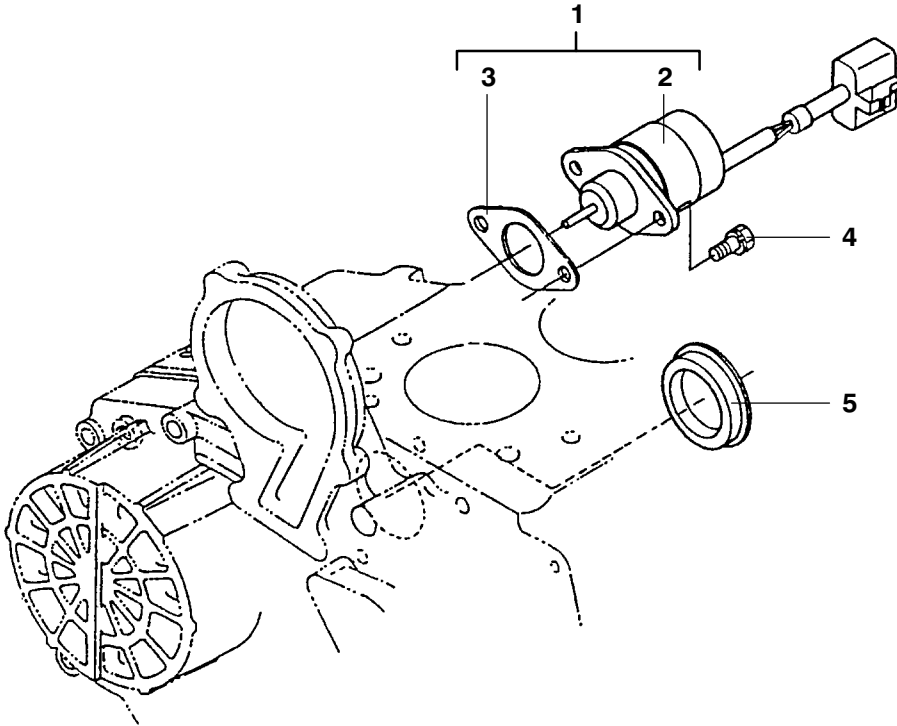
CT3-69-TV

ITEM	PART NO.	DESCRIPTION	QTY
13. FUEL CAMSHAFT			
1	29-70195-00	Camshaft, fuel	1
2	945125	Bearing, ball	1
3	945669	Bearing, ball	1
4	945671	Gear, Injection pump	1
5	29-70196-00	Cam, Fuel	1
6	29-70197-00	Washer	1
7	945672	Nut, cap	1
8	945673	Key, woodruff	1
9	944050	Bolt	3
10	945674	Stopper, Fuel c/shaft	1
11	944142	Bolt	2
12	29-70198-00	Assy shaft, governor — Includes:	1
13	29-70199-00	Holder, governor gear	1
14	945677	Gear, governor	1
15	945678	Holder, gov. weight	1
16	945679	Comp. weight, governor	2
17	945680	Shaft, gov. weight	2
18	29-70200-00	Roller	2
19	945681	Sleeve, governor	1
20	29-70201-00	Washer, thrust	1
21	945683	Bearing, ball	1
22	945684	Circlip, gov. shaft	1
23	945685	Screw, set	1

CT3-69-TV

ITEM	PART NO.	DESCRIPTION	QTY
------	----------	-------------	-----

14. STOP SOLENOID

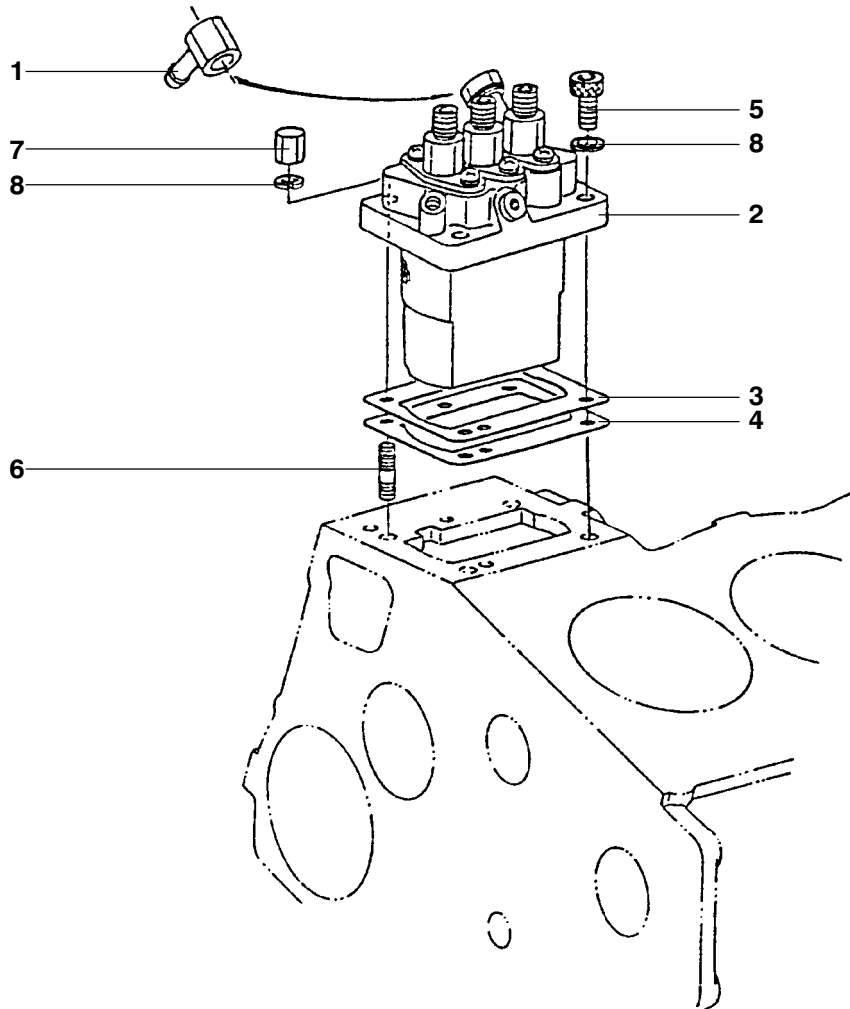


1	29-70206-00	Solenoid, stop — Includes:	1
2	29-70167-00	Solenoid, stop	1
3	945690	Gasket	1
4	945718	Bolt	2
5	29-70205-00	Cover, pump	1

CT3-69-TV

ITEM	PART NO.	DESCRIPTION	QTY
------	----------	-------------	-----

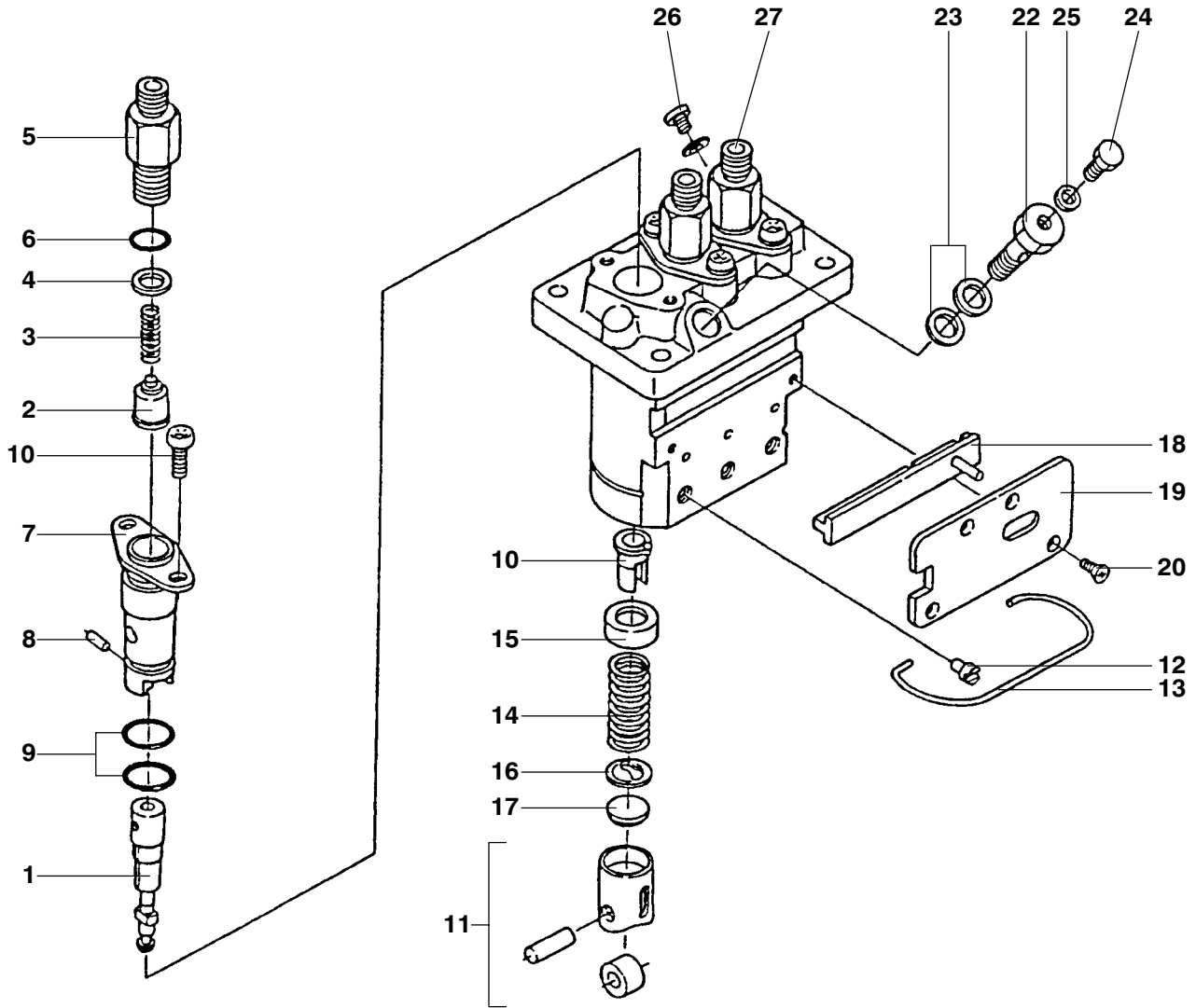
15. INJECTION PUMP



1	944215	Joint, eye	1
2	29-70147-00	Assy pump, injection	1
3	944210	Shim, injection (0,20 mm)	1
3	944231	Shim, injection (0,25 mm)	1
4	29-70207-00	Shim, injection (0,30 mm)	1
5	941478	Bolt	2
6	944212	Stud	2
7	944213	Nut, cap	2
8	29-70067-00	Washer, spring	4

CT3-69-TV

16. INJECTION PUMP (COMPONENT PARTS)

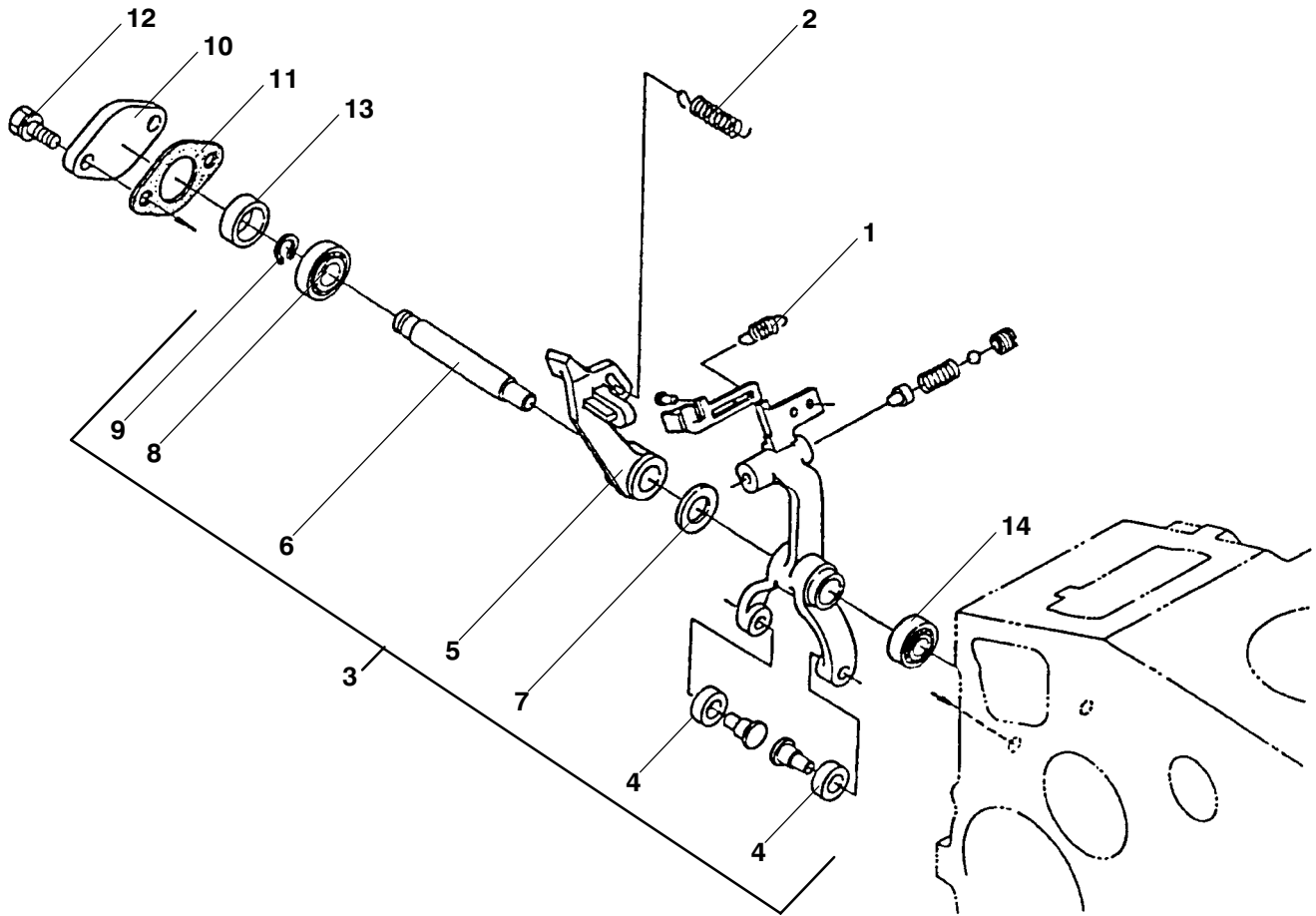


CT3-69-TV

ITEM	PART NO.	DESCRIPTION	QTY
16. INJECTION PUMP (COMPONENT PARTS)			
1	29-70208-00	Plunger, pump	3
2	944351	Valve, delivery	3
3	29-70030-00	Spring, delivery valve	3
4	944352	Gasket, delivery valve	3
5	29-70209-00	Holder, delivery valve	3
6	944353	O Ring	3
7	945663	Flange, sleeve	3
8	29-70032-00	Pin, joint	3
9	945664	O Ring	6
10	29-70033-00	Screw	6
11	945665	Assy tappet	3
12	29-70035-00	Pin, tappet guide	3
13	29-70210-00	Pin, clamp	1
14	944354	Spring, plunger	3
15	29-70037-00	Seat, Spring upper	3
16	29-70038-00	Seat, Spring lower	3
17	29-70039-00	Shim	3
18	29-70211-00	Rack, control	1
19	29-70212-00	Plate	1
20	29-70042-00	Screw	4
21	944356	Sleeve, control	3
22	944360	Screw, Follow	1
23	944361	Gasket	2
24	29-70044-00	Screw, air breeder	1
25	29-70045-00	Gasket	1
26	29-70214-00	Plug	1
27	29-70215-00	Gasket	1

CT3-69-TV

17. GOVERNOR

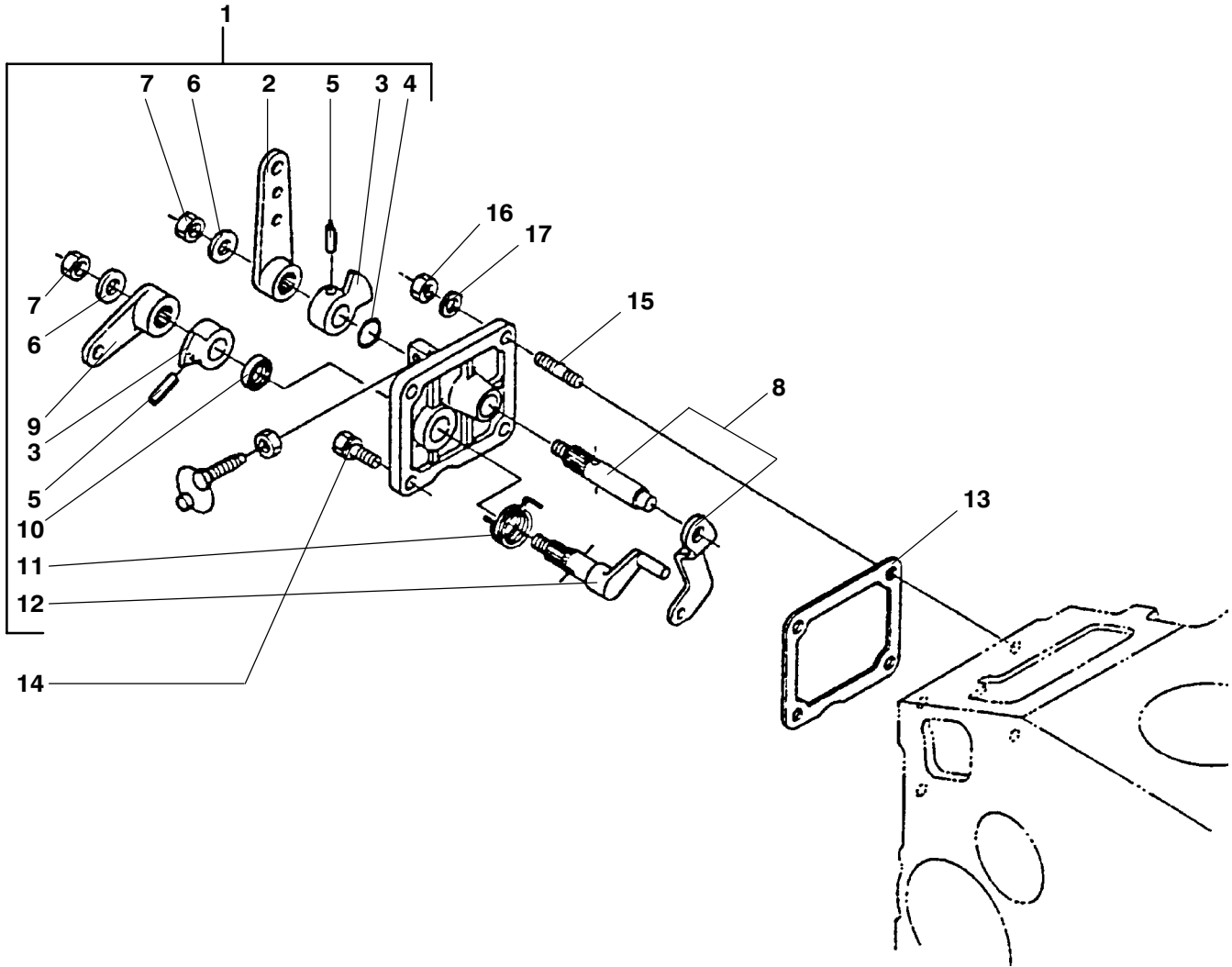


CT3-69-TV

ITEM	PART NO.	DESCRIPTION	QTY
17. GOVERNOR			
1	29-70216-00	Spring, start	1
2	945707	Spring, governor	1
3	7103042	Assy Lever, Fork — Includes:	1
4	29-70200-00	Roller	2
5	945710	Lever, Fork	1
6	945711	Shaft, Fork lever	1
7	945712	Washer, plain	1
8	945714	Bearing, miniaturize	1
9	945715	Circlip, external	1
10	945716	Cover, fork lever, shaft	1
11	29-70219-00	Gasket	1
12	945718	Bolt	2
13	945719	Collar	1
14	945720	Bearing, miniaturize	1

CT3-69-TV

18. SPEED CONTROL PLATE



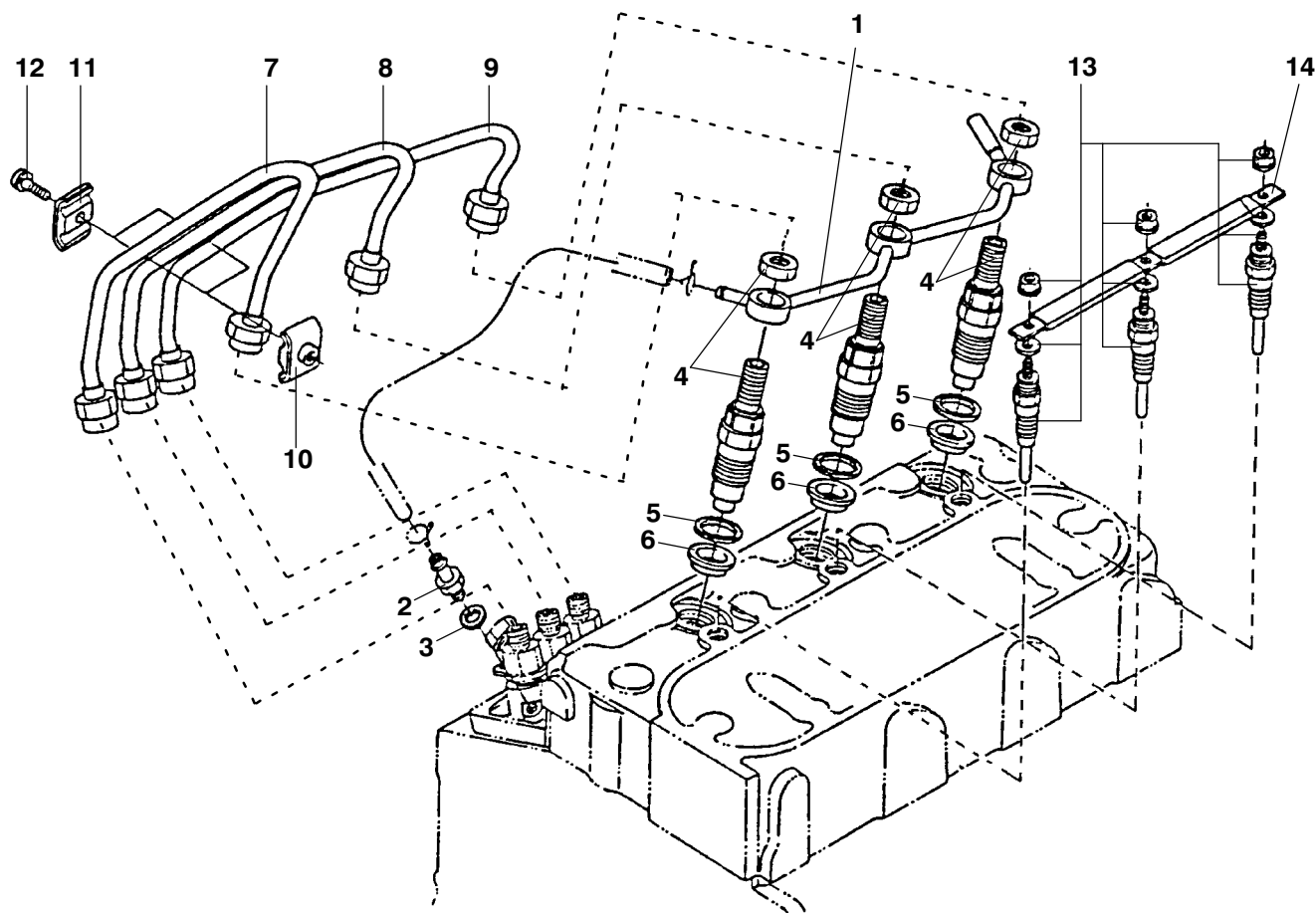
CT3-69-TV

ITEM	PART NO.	DESCRIPTION	QTY
18. SPEED CONTROL PLATE			
1	29-70220-00	Assy plate, control - Includes:	1
2	945696	Lever, speed control	1
3	945697	Lever, speed control	2
4	945698	O Ring	1
5	944663	Pin, spring	2
6	945699	Washer, plain	2
7	945700	Nut	2
8	945701	Comp. lever, governor	1
9	945702	Lever, engine stop	1
10	942170	Seal, oil	1
11	945703	Spring, return	1
12	945704	Shaft, stop lever	1
13	29-70221-00	Gasket	1
14	941446	Bolt	2
15	941477	Stud	2
16	941417	Nut	2
17	29-70067-00	Washer, spring	2

CT3-69-TV

ITEM	PART NO.	DESCRIPTION	QTY
------	----------	-------------	-----

19. NOZZLE HOLDER

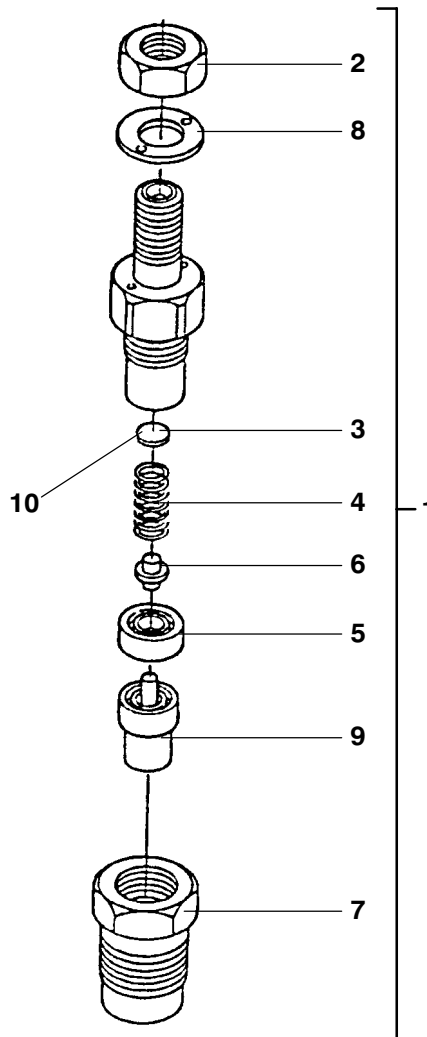


1	29-70159-00	Assy pipe, over flow	1
2	944198	Screw, air breeder	1
3	944095	Gasket	1
4	945650	Assy holder, nozzle	3
5	944201	Gasket	3
6	29-70087-00	Seal, heat	3
7	29-70148-00	Pipe, injection	1
8	945652	Pipe, injection	1
9	945653	Pipe, injection	1
10	944205	Clamp, pipe	2
11	944206	Clamp, pipe	2
12	941467	Screw, with washer	2
13	29-70157-00	Glow plug	3
14	29-70156-00	Cord, glow plug	1

CT3-69-TV

ITEM	PART NO.	DESCRIPTION	QTY
------	----------	-------------	-----

20. NOZZLE HOLDER (COMPONENT PARTS)

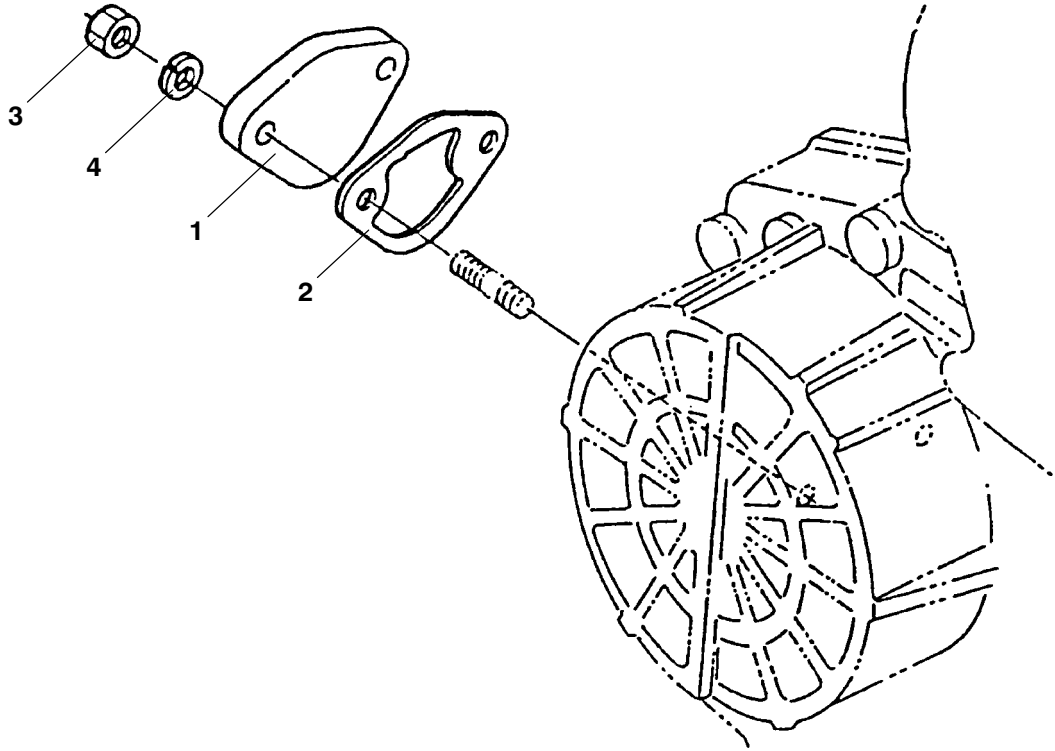


1	945650	Assy holder, nozzle — Includes:	3
2	29-70149-00	Nut	1
3	29-70150-00	Washer, adjusting	1
4	29-70151-00	Spring, nozzle	1
5	29-70172-00	Spacer, distance	1
6	29-70173-00	Push rod	1
7	29-70174-00	Nut, nozzle	1
8	29-70175-00	Washer, plain	1
9	29-70152-00	Piece, nozzle	1
10	29-70153-00	Assy washer, adjust	1

CT3-69-TV

ITEM	PART NO.	DESCRIPTION	QTY
------	----------	-------------	-----

21. FUEL PUMP

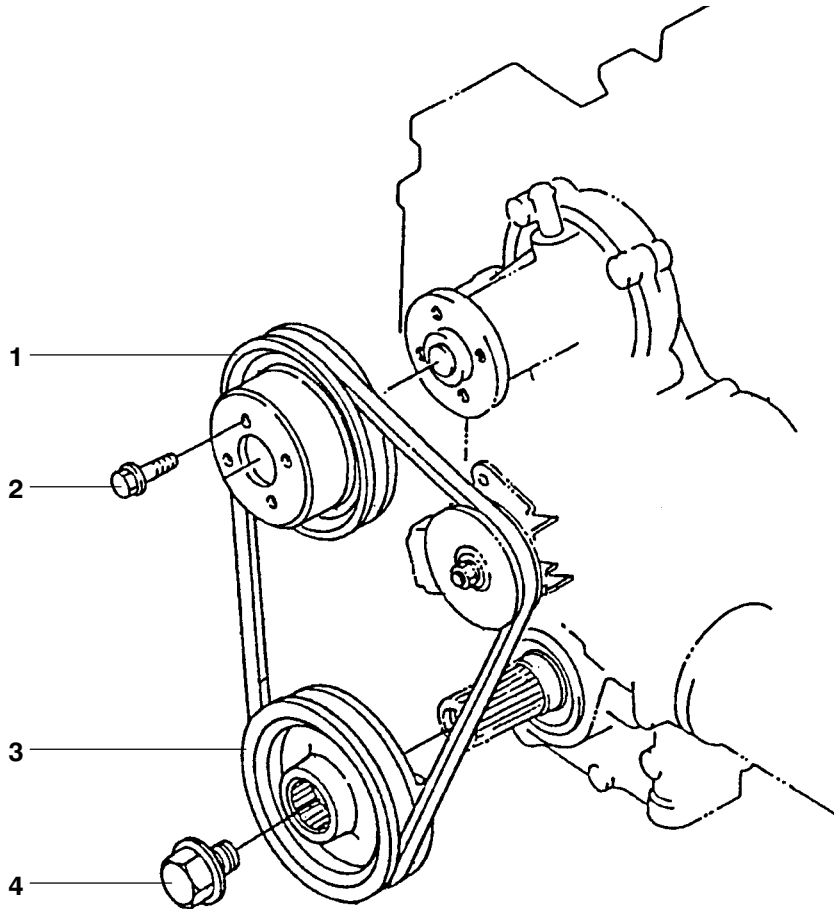


1	944232	Cover	1
2	944233	Gasket, Fuel pump	1
3	941417	Nut	2
4	29-70067-00	Washer, spring	2

CT3-69-TV

ITEM	PART NO.	DESCRIPTION	QTY
------	----------	-------------	-----

22. PULLEY WATER PUMP

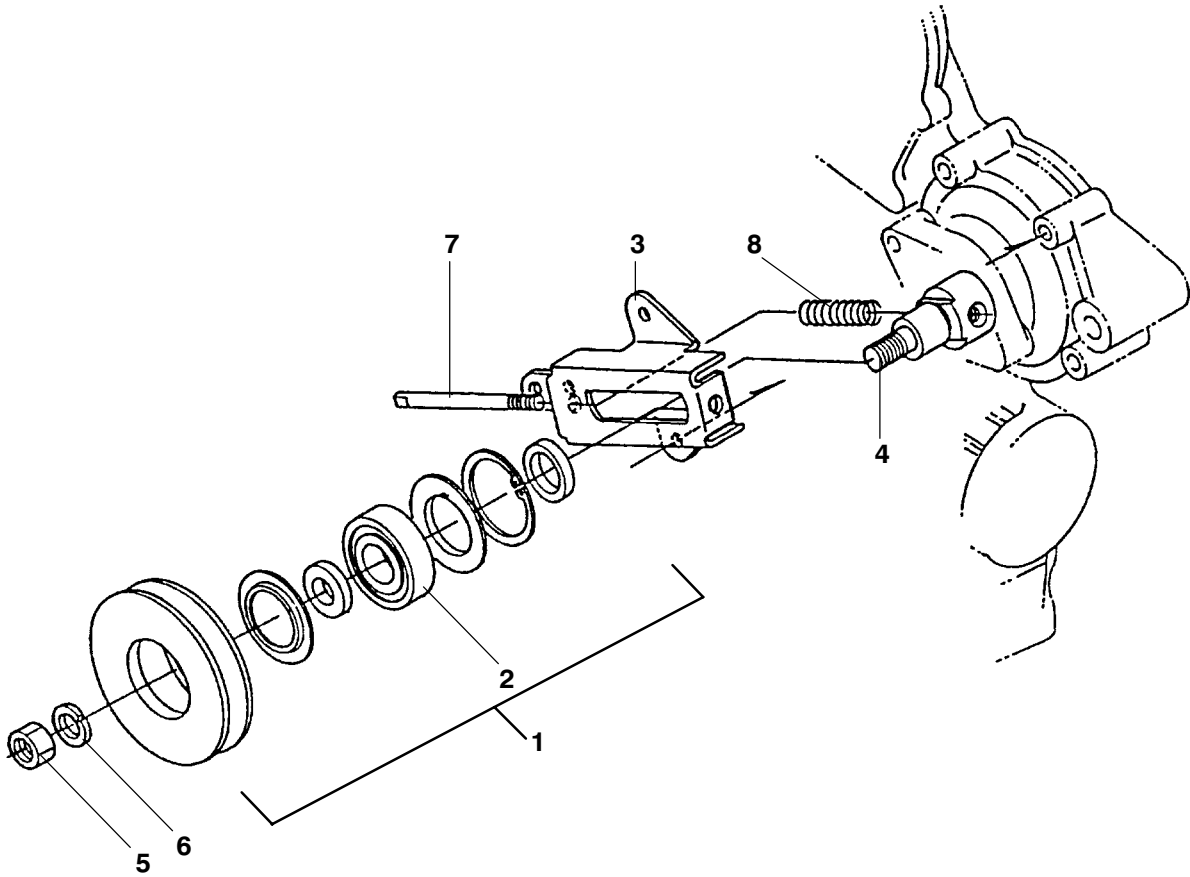


1	945722	Pulley, Fan	1
2	945721	Bolt, Flange	4
3	29-70190-00	Pulley, Fan drive	1
4	945724	Bolt	1

CT3-69-TV

ITEM	PART NO.	DESCRIPTION	QTY
------	----------	-------------	-----

23. TENSION PULLEY

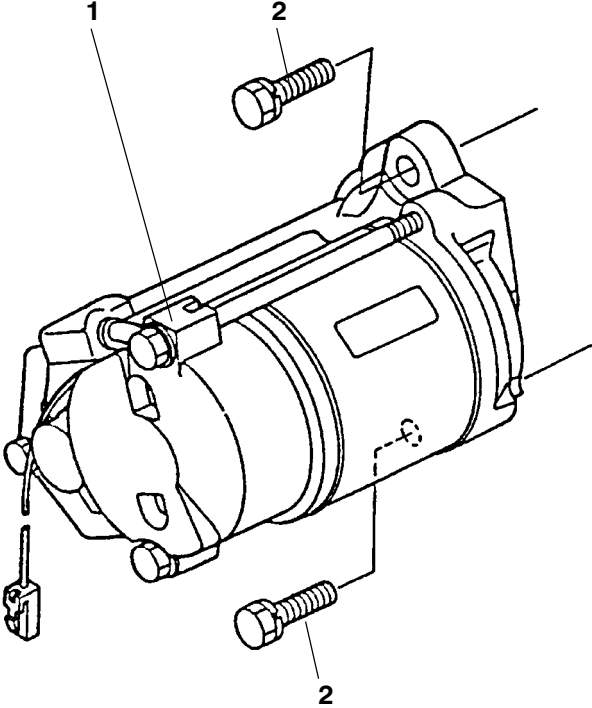


1	941145	Pulley, tension	1
2	29-70103-00	Bearing	1
3	945727	Support, pulley	1
4	29-70105-00	Shaft, tension pulley	1
5	29-70106-00	Nut	1
6	944816	Washer, spring	1
7	945728	Bolt, tension	1
8	945729	Spring	1

CT3-69-TV

ITEM	PART NO.	DESCRIPTION	QTY
------	----------	-------------	-----

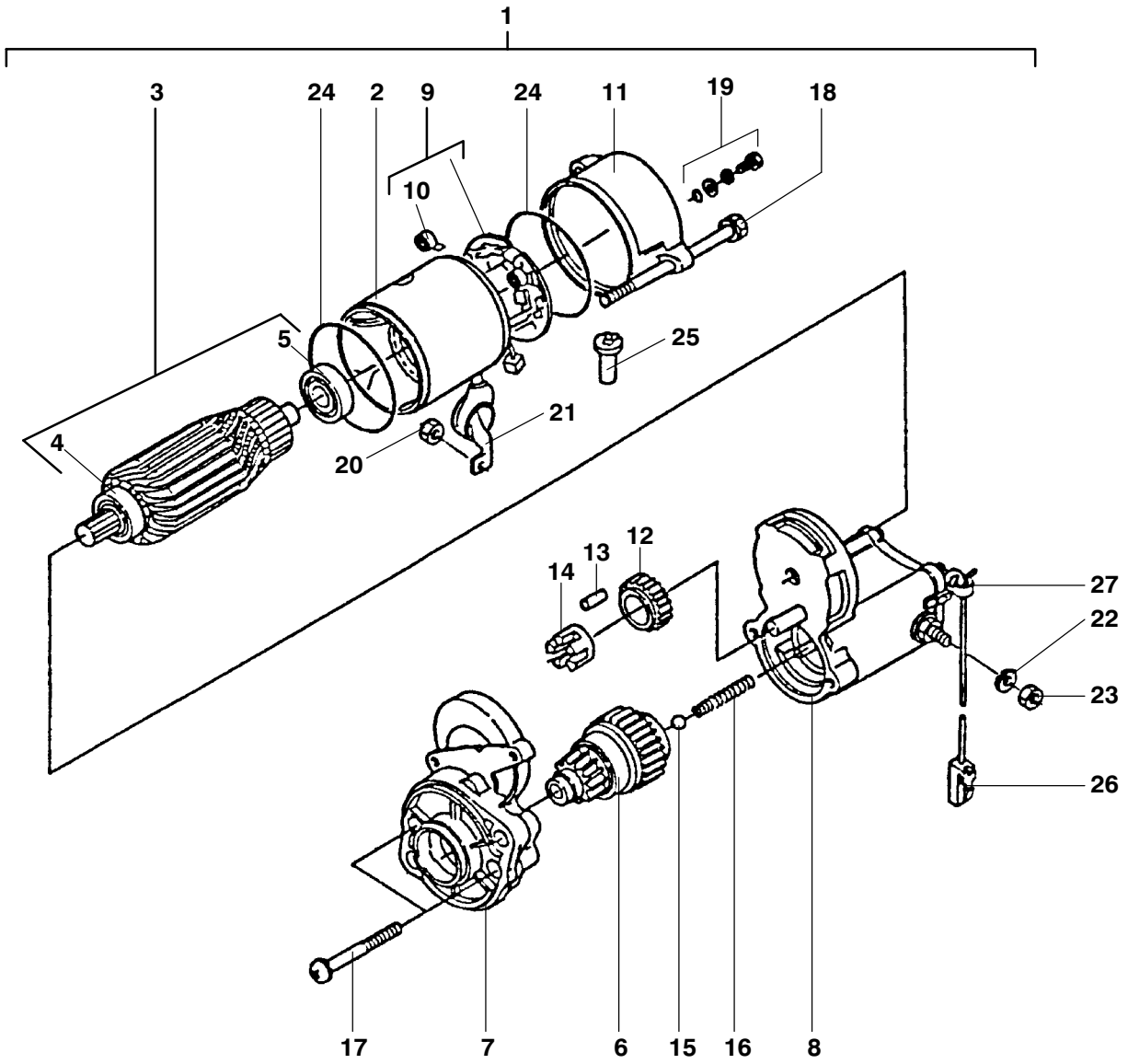
24. STARTER



1	29-70158-00	Assy starter	1
2	944700	Bolt	2

CT3-69-TV

25. STARTER (COMPONENT PARTS)

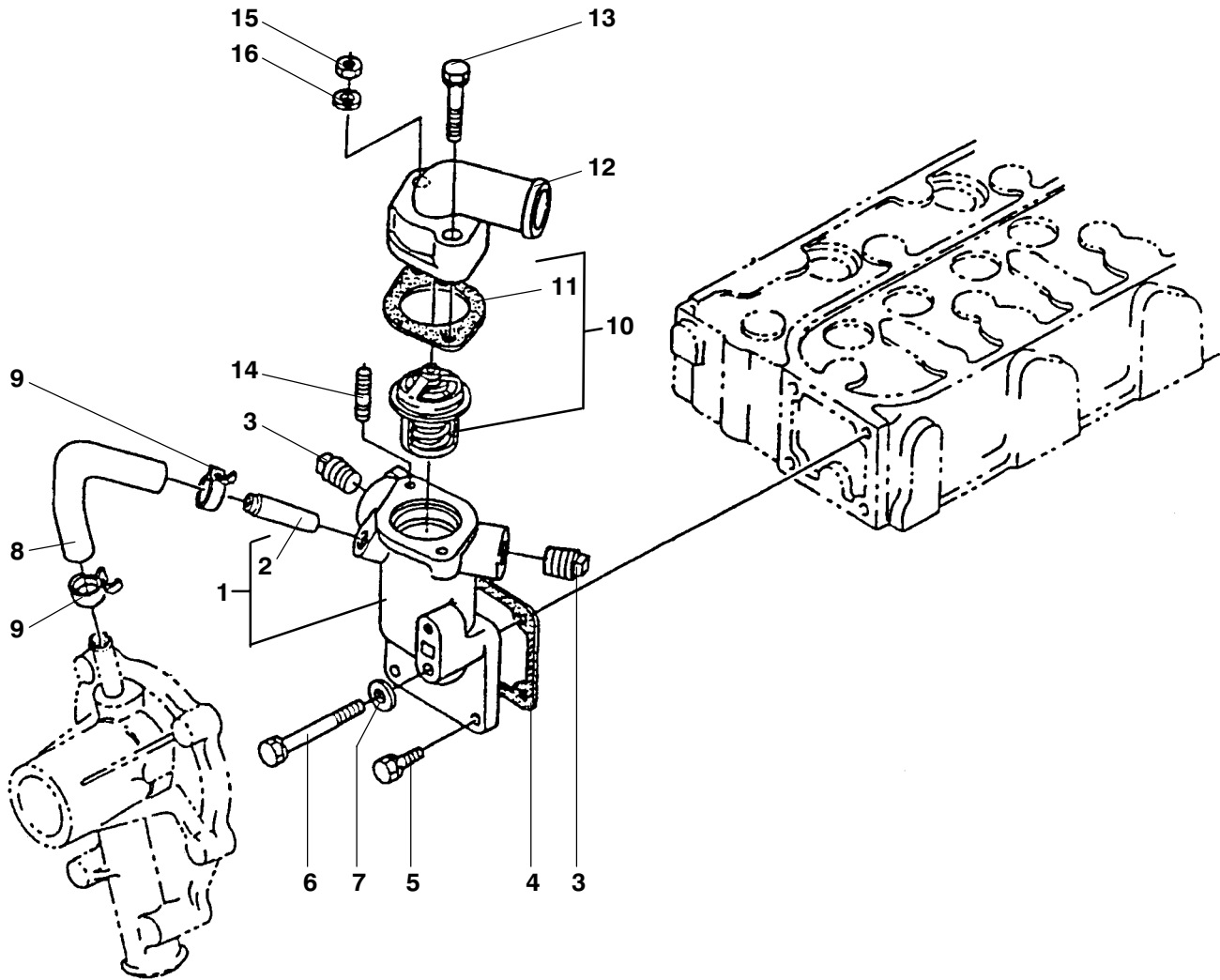


CT3-69-TV

ITEM	PART NO.	DESCRIPTION	QTY
25. STARTER (COMONENT PARTS)			
1	29-70158-00	Assy starter — Includes:	1
2	29-70177-00	Yoke	1
3	7103049	Armature — Includes:	1
4	29-70123-00	Bearing	1
5	29-70124-00	Bearing	1
6	29-70222-00	Assy clutch	1
7	945640	Assy housing	1
8	29-70178-00	Switch, magnetic	1
9	29-70179-00	Assy holder, brush — Includes:	1
10	7103054	Spring, brush	4
11	29-70180-00	Assy Frame, end	1
12	7103056	Gear	1
13	944339	Roller	5
14	7103057	Retainer	1
15	941598	Ball	1
16	7103058	Spring	1
17	29-70126-00	Bolt	2
18	7103059	Bolt, trough	2
19	944345	Assy bolt	2
20	29-70223-00	Nut, hexagon	1
21	29-70224-00	Cover	1
22	944111	Washer, spring	1
23	29-70226-00	Nut, hexagon	1
24	944343	O Ring	2
25	29-70227-00	Pipe, drain	1
26	29-70228-00	Cord, stop solenoïd	1
27	29-70229-00	Band, cover	1

CT3-69-TV

26. WATER FLANGE AND THERMOSTAT



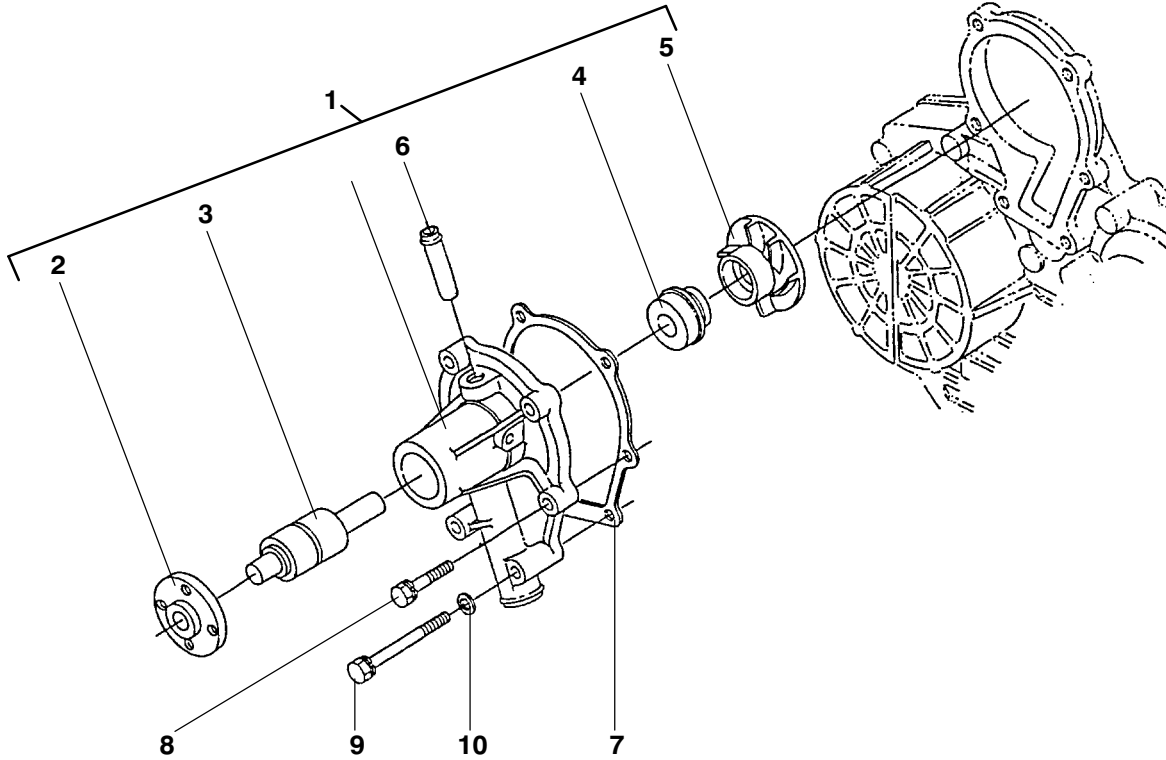
CT3-69-TV

ITEM	PART NO.	DESCRIPTION	QTY
26. WATER FLANGE AND THERMOSTAT			
1	29-70155-00	Comp. Flange, water — Includes:	1
2	7102788	Pipe, water return	1
3	944311	Plug	2
4	945731	Gasket, water Flange	1
5	941446	Bolt	3
6	945732	Bolt	1
7	944722	Washer, plain	1
8	945733	Pipe, water return	1
9	945137	Band, pipe	2
10	944305	Assy thermostat	1
11	29-70232-00	Gasket, thermostat	1
12	29-70154-00	Cover, thermostat	1
13	29-70233-00	Bolt	1
14	29-70234-00	Stud	1
15	941417	Nut	1
16	29-70007-00	Washer, spring	1

CT3-69-TV

ITEM	PART NO.	DESCRIPTION	QTY
------	----------	-------------	-----

27. WATER PUMP

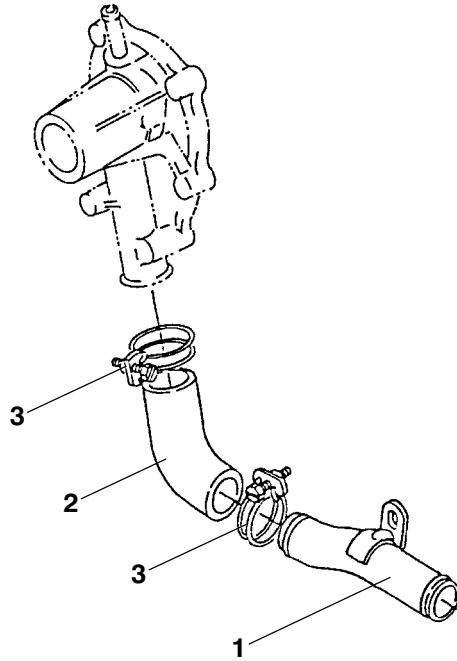


1	29-70183-00	Assy pump, water — Includes:	1
2	29-70184-00	Flange, water pump	1
3	29-70185-00	Bearing	1
4	29-70186-00	Assy seal, mechanical	1
5	29-70187-00	Impeller, water pump	1
6	944302	Pipe, water return	1
7	29-70188-00	Gasket, water pump	1
8	945543	Bolt	4
9	945544	Bolt	2
10	944722	Washer, plain	2

CT3-69-TV

ITEM	PART NO.	DESCRIPTION	QTY
------	----------	-------------	-----

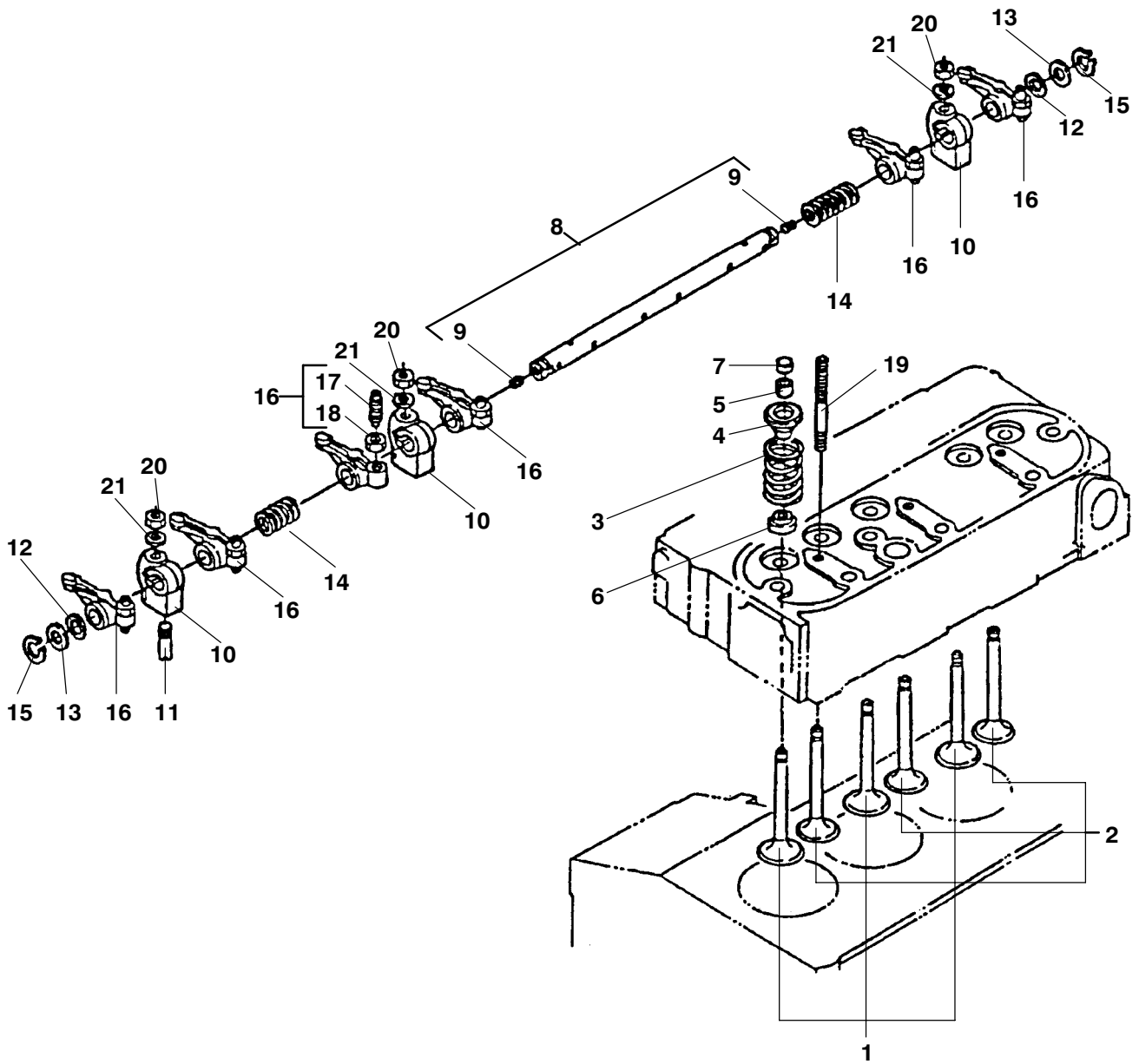
28. WATER PIPE



1	29-70235-00	Pipe, water	1
2	945738	Pipe, water	1
3	945739	Clamp	2

CT3-69-TV

29. VALVE, ROCKER ARM



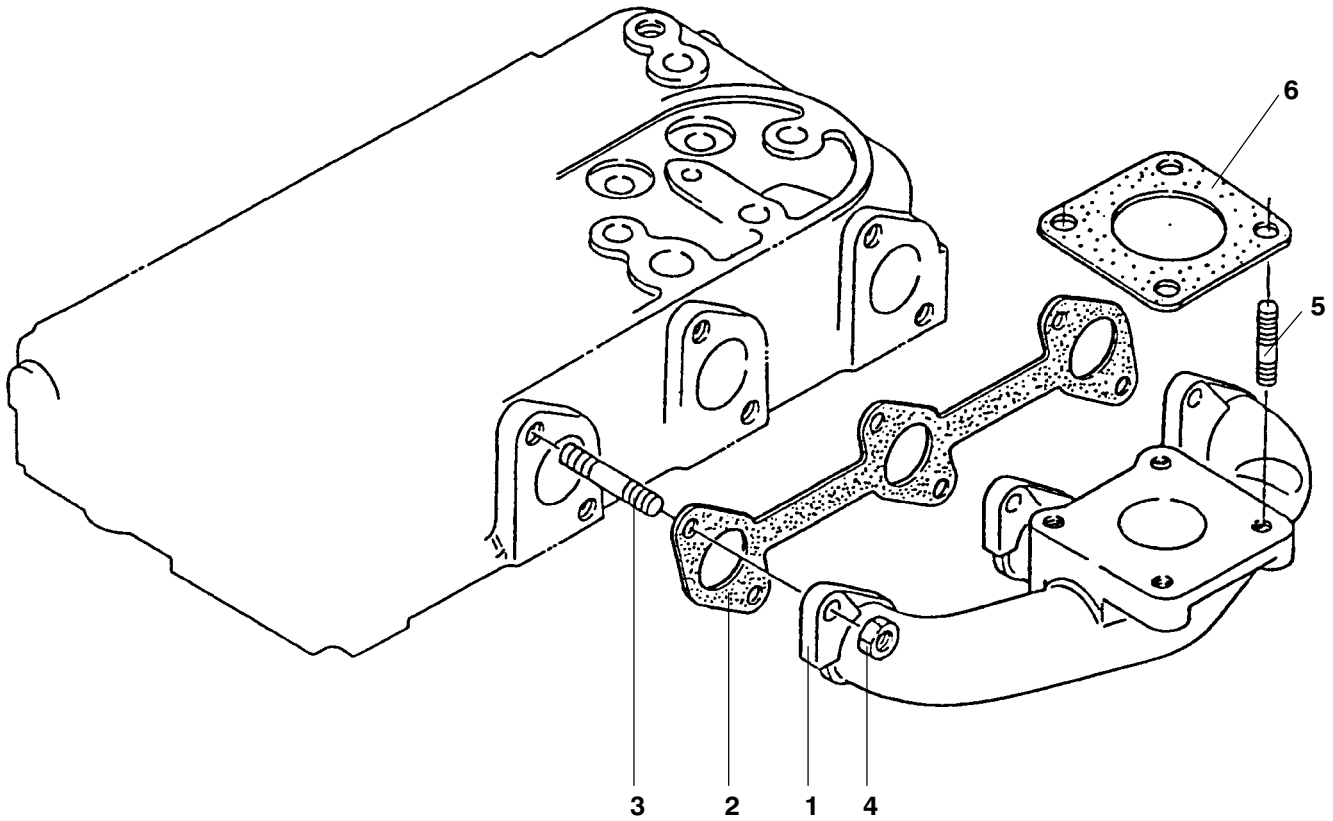
CT3-69-TV

ITEM	PART NO.	DESCRIPTION	QTY
29. VALVE, ROCKER ARM			
1	945572	Valve, inlet	3
2	945573	Valve, exhaust	3
3	945574	Spring, valve	6
4	945575	Retainer, valve SP.	6
5	941081	Collet, valve spring	6
6	945576	Seal, valve stem	6
7	941080	Cap, valve	6
8	29-70189-00	Assy shaft, R-arm — Includes:	1
9	943556	Screw, set	2
10	945578	Bracket, rocker arm	3
11	941552	Screw, set rocker arm	1
12	945580	Washer, R-arm, shaft	2
13	945581	Washer, R-arm, shaft	2
14	945582	Spring, rocker arm	2
15	945583	Circlip, external	2
16	945584	Assy rocker arm — Includes:	6
17	945585	Screw, adjusting	6
18	945586	Nut	6
19	945579	Stud	3
20	941431	Nut	3
21	944625	Washer, plain	3

CT3-69-TV

ITEM	PART NO.	DESCRIPTION	QTY
------	----------	-------------	-----

30. EXHAUST MANIFOLD

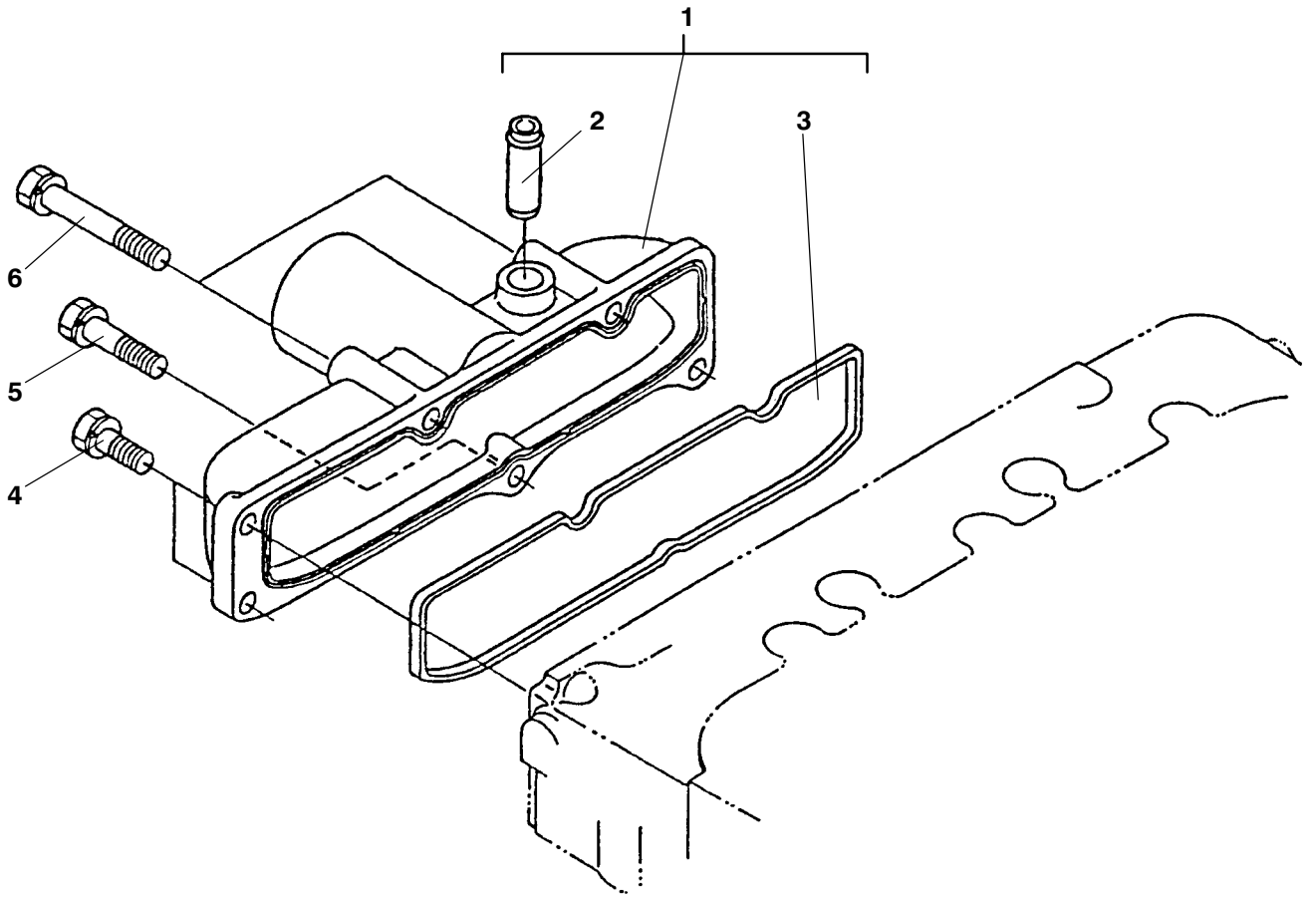


1	29-70139-00	Manifold, exhaust	1
2	29-70140-00	Gasket, ex-manifold	1
3	945570	Stud	6
4	945571	Nut	6
5	29-70243-00	Stud	4
6	941360	Gasket, muffler NA	1

CT3-69-TV

ITEM	PART NO.	DESCRIPTION	QTY
------	----------	-------------	-----

31. INLET MANIFOLD



1	29-70138-00	Assy manifold, inlet — Includes:	1
2	7102391	Joint, breather pipe	1
3	29-70137-00	Gasket, in-manifold	1
4	944050	Bolt	3
5	945543	Bolt	1
6	944051	Bolt	2

CT3-69-TV

ITEM	PART NO.	DESCRIPTION	QTY
32. GASKET SET			
1	29-70247-00	Gasket set top	1
2	29-70248-00	Gasket set bottom	1
