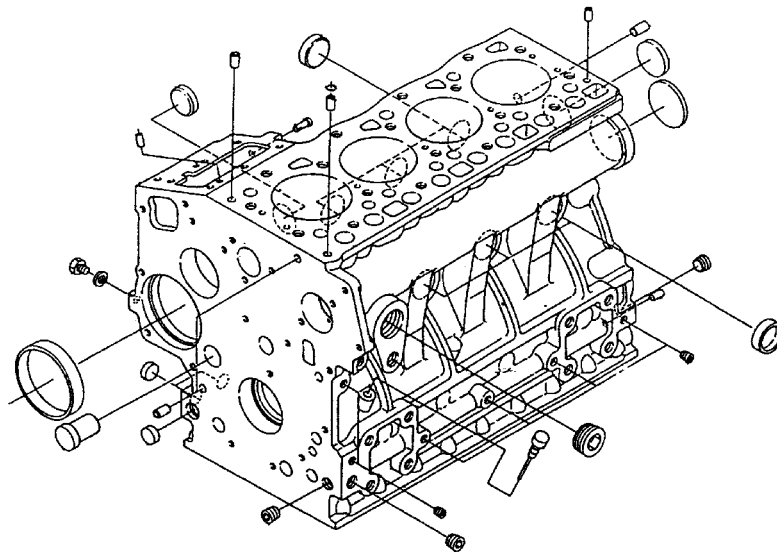


Carrier
Transcold

Diesel
Engine

**CT4-91-TV
(V1505)**



**Service
Parts List**



TRANSICOLD

Service Parts List

DIESEL ENGINE

CT4-91-TV (V1505)

CONTENTS

INTRODUCTION	1
REPLACEMENT ENGINE PART NO.	1
ORDERING INSTRUCTIONS	1
GENERAL NOTES	1
1. CYLINDER CRANKCASE	2
2. OIL PAN	3
3. GEAR CASE	4
4. CYLINDER HEAD COVER	6
5. CYLINDER HEAD	7
6. IDLING	8
7. SPEED CONTROL	9
8. BEARING CASE	10
9. CAMSHAFT	11
10. VALVES AND ROCKER ARM	12
11. FUEL CAMSHAFT	13
12. FLYWHEEL AND HOUSING	14
13. INJECTION PUMP	15
14. INJECTION PUMP (COMPONENT PARTS)	16
15. GLOW PLUGS AND INJECTORS	18
16. WATER PUMP AND IDLER PULLEY	19
17. THERMOSTAT	20
18. GOVERNOR	21
19. CRANKSHAFT AND PISTONS	22
20. MANIFOLD	24
21. STARTER	25
22. IDLER	26
23. STOP SOLENOID	27
24. INJECTOR ASSEMBLY	27
25. FUEL PUMP	28
26. FUEL PUMP (COMPONENT PARTS)	29
27. GASKET SET	30

Carrier Refrigeration Operations, A member of the United Technologies Corporation family. Stock symbol UTX.
Carrier Transicold, Carrier Corporation, P.O. Box 4805, Syracuse, N.Y. 13221 U. S. A.

© Carrier Corporation 2001 • Printed in U. S. A. 0101



Carrier

A United Technologies Company

CT4-91

INTRODUCTION

This parts list identifies service replacement parts for the Carrier Transicold CT4-91-TV vertical in-line, 4-cylinder diesel engines manufactured exclusively for Carrier Transicold transport refrigeration by Kubota.

REPLACEMENT ENGINE PART NO.

MODEL	PART NO.	DESCRIPTION
CT4-91-TV (V1505)	26-00103-02	NEW ENGINE

ORDERING INSTRUCTIONS

All orders and inquiries for parts must include: Unit Serial Number, part no., description of part and quantity required. Address all correspondence for parts to the following address:

CARRIER TRANSICOLD DIVISION
Replacement Components Group, TR-20
P.O. Box 4805, Syracuse, NY 13221.
or
Fax to: (315) 432-3778

GENERAL NOTES

To find replacement parts, determine major group in which replacement part is located, consult table of contents, and turn to the appropriate page for the illustrated breakdown of replacement parts. The following letter designations are used to classify parts throughout this list:

NS *Not Shown* in the illustration.

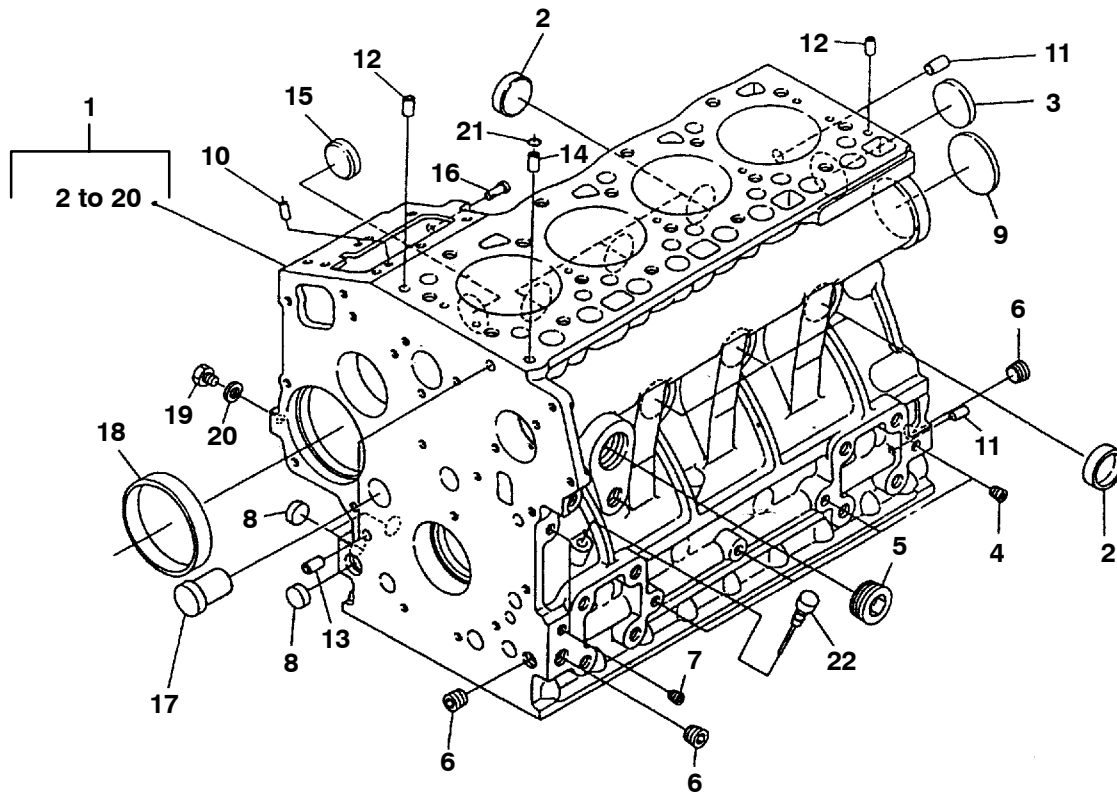
NSS *Not Sold Separately* - order next higher assembly or kit.

NSA *Non-Stock Assembly* - order components listed under the assembly.

PL *Purchase Locally*.

CT4-91

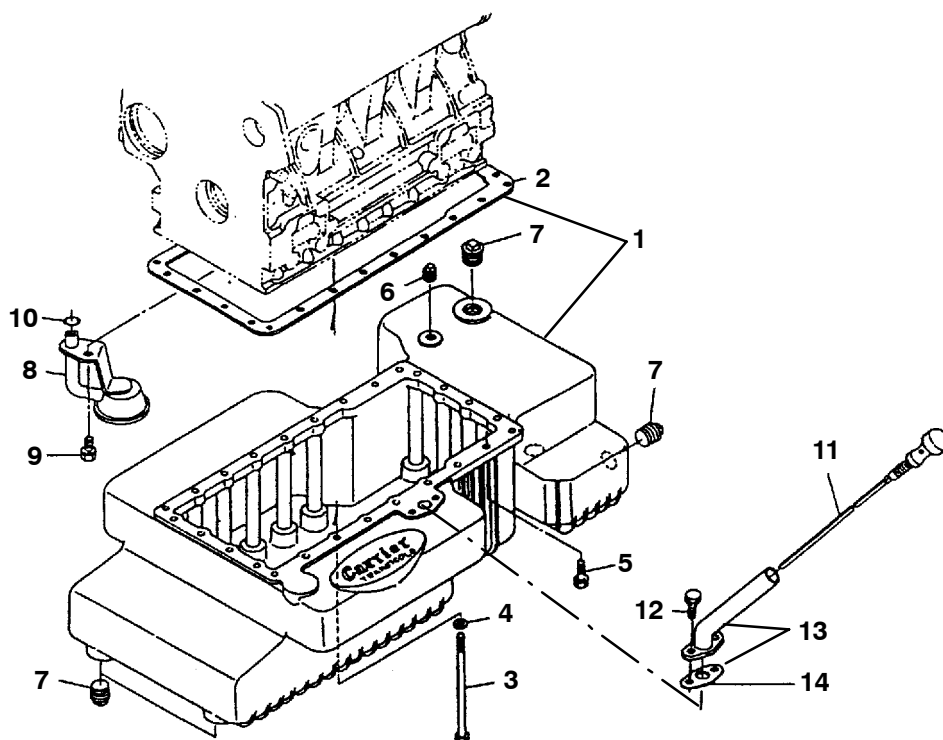
1. CYLINDER CRANKCASE



ITEM	PART NO.	DESCRIPTION	QTY
1	25-15000-00	CRANKCASE ASSEMBLY - INCLUDES:	1
2	25-34006-00	PLUG, EXPANSION	6
3	25-37107-00	PLUG	1
4	25-37108-00	PLUG	4
5	25-15001-00	PLUG	1
6	25-15002-00	PLUG	3
7	25-37026-00	PLUG, EXPANSION	2
8	25-39015-00	PLUG, EXPANSION	3
9	25-15004-00	PLUG	1
10	25-34007-00	PIN, DOWEL	2
11	25-36027-00	PIN, DOWEL	2
12	25-37695-00	PIN, DOWEL	2
13	25-35033-00	PIN, PIPE	2
14	25-15005-00	PIN, PIPE	1
15	25-15006-00	PLUG	1
16	25-37144-00	PIN, START SPRING	1
17	25-15007-00	PLUG	1
18	25-15008-00	BUSHING, GOVERNOR GEAR	1
19	25-37048-00	PLUG	1
20	25-35136-05	GASKET, PLUG	1
21	25-35032-00	O-RING (BLUE)	1
22	25-15009-00	PLUG	1

CT4-91

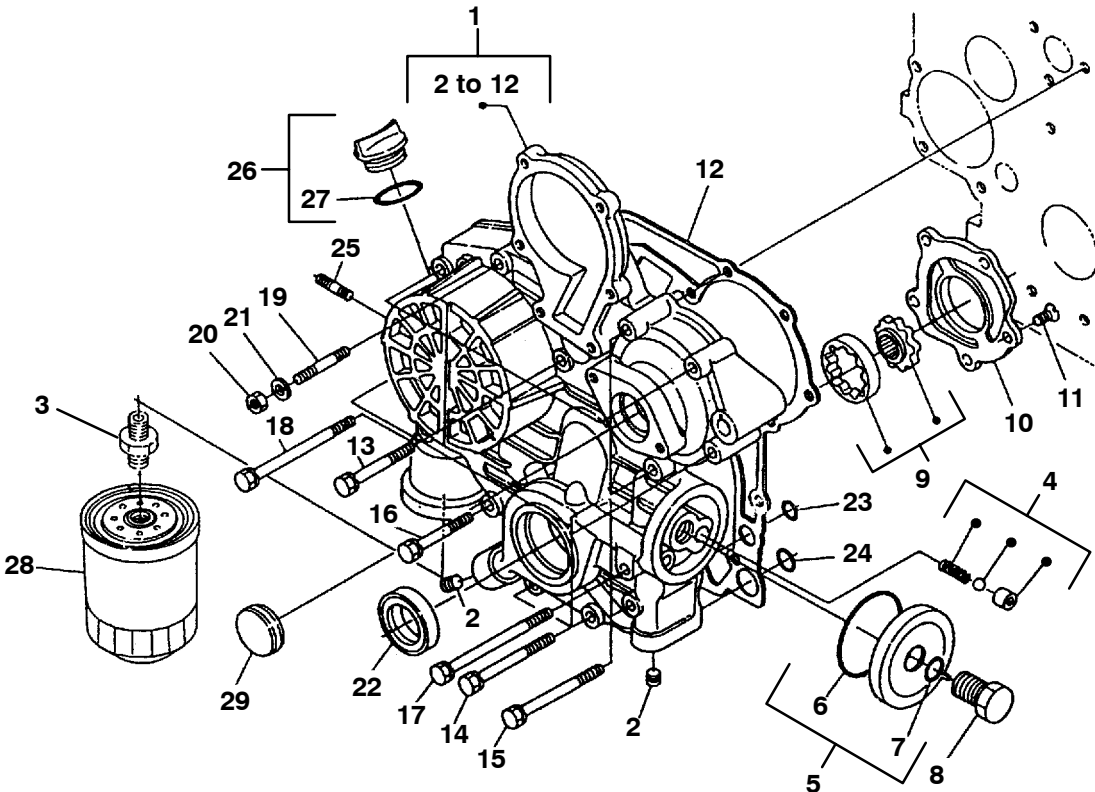
2. OIL PAN



ITEM	PART NO.	DESCRIPTION	QTY
1	25-15080-00SV	PAN, OIL - INCLUDES:	1
2	25-15081-00	GASKET, OIL PAN	1
3	25-36736-00	BOLT, HEX HEAD (M6)	20
4	25-35692-00	WASHER, LOCK (M6)	20
5	25-35678-00	BOLT, HEX HEAD (M6 X 20 MM LG) GRAGE 7	6
6	25-37078-00	PLUG, PIPE	2
7	25-34031-00	PLUG, OIL DRAIN	4
8	25-15082-00	SCREEN, OIL PICK-UP	1
9	25-37657-00	BOLT, HEX HEAD (M8 X 16 MM LG) GRAGE 7	1
10	25-39032-00	O-RING	1
11	25-15076-00	DIPSTICK, OIL (ENGINE WITHOUT LIFT PUMP)	1
11	25-15014-00	DIPSTICK, OIL (ENGINE WITH LIFT PUMP)	1
12	25-35677-00	BOLT, HEX HEAD (M6 X 18 MM LG)	6
13	25-36051-00SV	TUBE, OIL DIPSTICK (ENGINE WITHOUT LIFT PUMP) - INCLUDES:	1
13	25-15018-00	TUBE, OIL DIPSTICK (ENGINE WITH LIFT PUMP) - INCLUDES:	1
14	25-36052-00	GASKET, OIL DIPSTICK TUBE	1

CT4-91

3. GEAR CASE



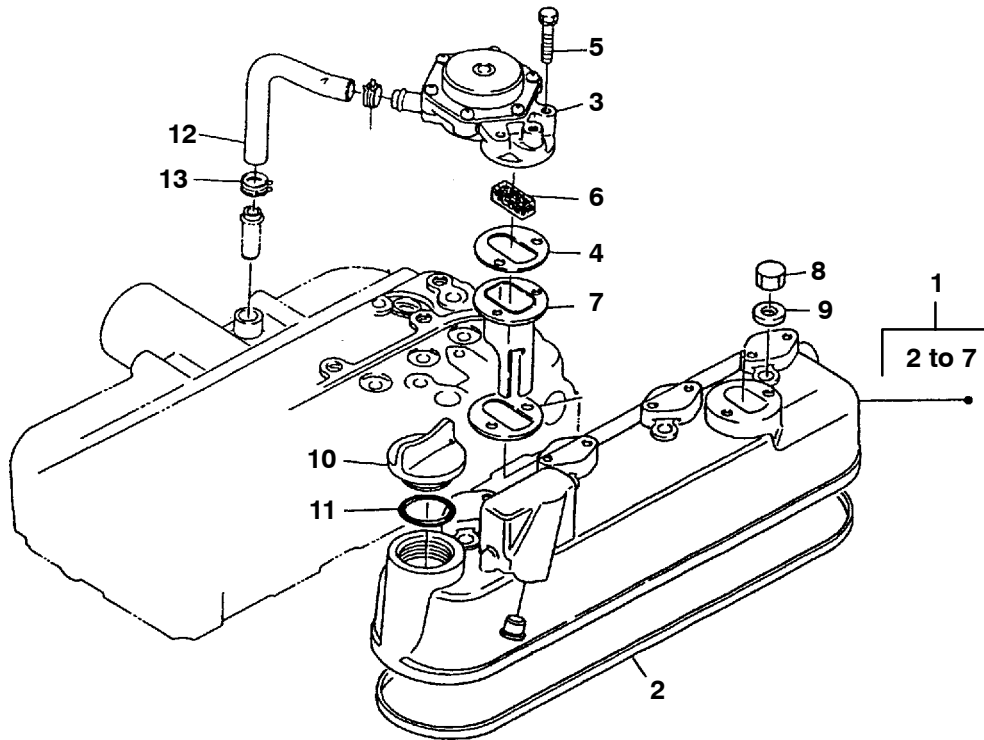
CT4-91

3. GEAR CASE

ITEM	PART NO.	DESCRIPTION	QTY
1	25-15035-00SV	GEAR CASE ASSEMBLY - INCLUDES:	1
2	25-39051-00	PLUG	4
3	25-35207-00	ADAPTER, OIL FILTER	1
4	25-15037-00SV	SPRING ASSEMBLY	1
5	25-34068-00SV	COVER - INCLUDES:	1
6	25-34371-00	O-RING	1
7	25-37142-00	O-RING	1
8	25-34370-00	BOLT, COVER	1
9	25-15040-00	ROTOR, OIL PUMP ASSEMBLY	1
10	25-15041-00	COVER, OIL PUMP	1
11	25-15042-00	SCREW	5
12	25-15043-00	GASKET, GEAR CASE	1
13	25-34104-00	BOLT, HEX HEAD (M6 X 45 MM LG) GRADE 7	2
14	25-37042-00	BOLT, HEX HEAD (M6 X 50 MM LG) GRADE 7	4
15	25-15048-00	BOLT, HEX HEAD (M6 X 55 MM LG) GRADE 7	1
16	25-34306-00	BOLT, HEX HEAD	2
17	25-15044-00	BOLT, HEX HEAD	2
18	25-15045-00	BOLT, HEX HEAD	1
19	25-15046-00	STUD (M6 X 45 MM LG)	1
20	25-35684-00	NUT, HEX (M6)	1
21	25-35692-00	WASHER, LOCK (M6)	1
22	25-15055-00	SEAL, OIL	1
23	25-15047-00	O-RING	2
24	25-37142-00	O-RING	2
25	25-36715-00	STUD (M6 X 16 MM LG)	2
26	25-34376-00SV	CAP, OIL FILL - INCLUDES:	1
27	25-37310-00	O-RING	1
28	25-15038-00	FILTER, LUBE OIL	1
29	29-70244-00	PLUG, COVER	1

CT4-91

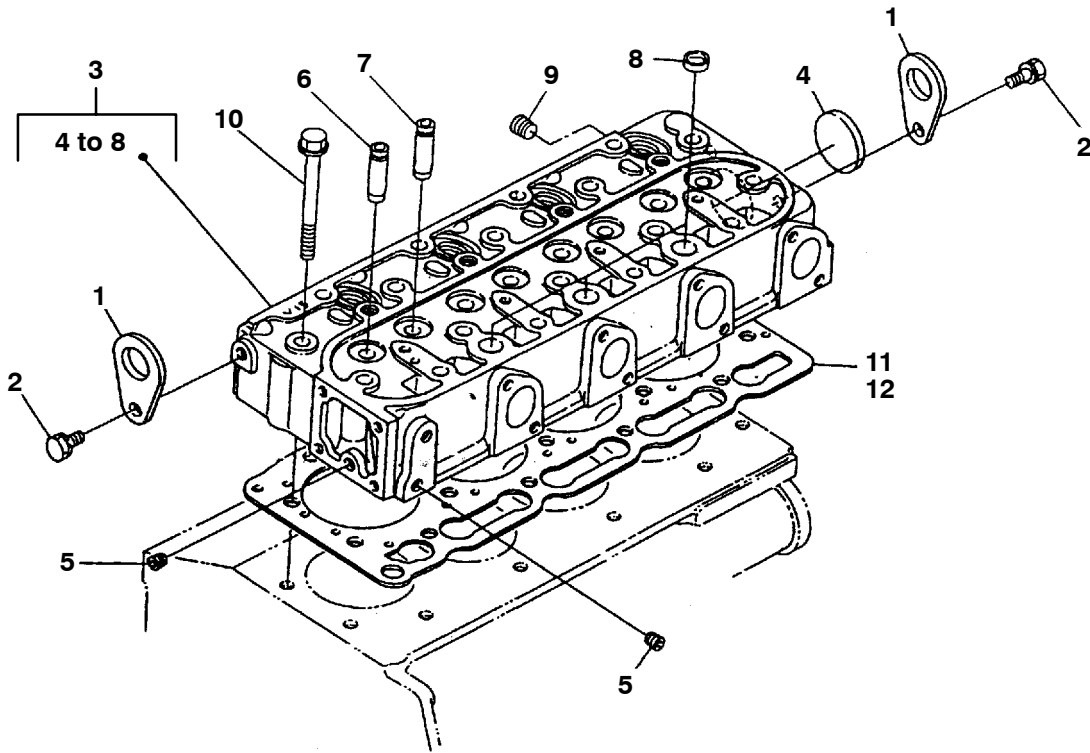
4. CYLINDER HEAD COVER



ITEM	PART NO.	DESCRIPTION	QTY
1	25-15060-00	COVER, CYLINDER HEAD ASSEMBLY - INCLUDES:	1
2	25-15075-00	GASKET, VALVE COVER	1
3	25-15061-00SV	BREATHER - INCLUDES:	1
4	25-15062-00	GASKET, BREATHER	1
5	25-35129-00	BOLT, HEX HEAD (M6 X 35 MM LG)	2
6	25-34088-00	ELEMENT, BREATHER	1
7	25-15063-00	PLATE, BREATHER ELEMENT	1
8	25-36192-00	NUT, CAP	4
9	25-36193-00	GASKET, CAP NUT	4
10	25-34376-00SV	CAP, OIL FILL - INCLUDES:	1
11	25-37310-00	O-RING, OIL FILL CAP	1
12	25-15064-00	HOSE, BREATHER	1
13	44-00045-25	CLAMP	1

CT4-91

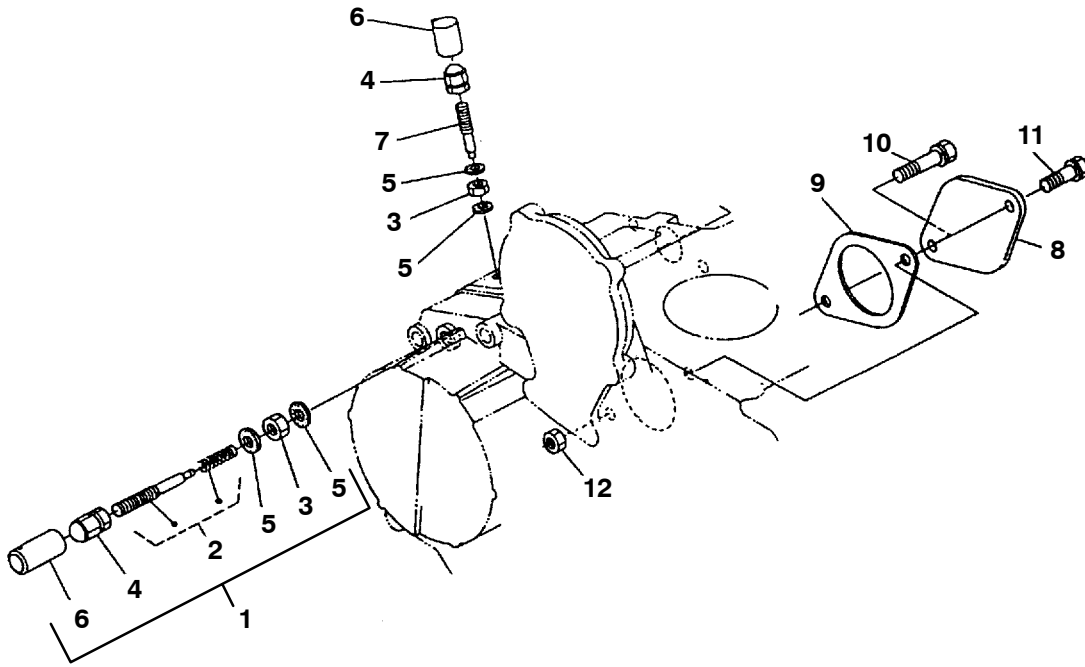
5. CYLINDER HEAD



ITEM	PART NO.	DESCRIPTION	QTY
1	25-15020-00	LIFTING EYE	2
2	25-37444-00	BOLT (M8 X 14 MM LG)	2
3	25-15021-00	CYLINDER HEAD ASSEMBLY - INCLUDES:	1
4	25-35690-00	CAP, SEALING	1
5	25-37108-00	PLUG, SEALING	1
6	25-15022-00	GUIDE, INLET VALVE	4
7	25-15023-00	GUIDE, EXHAUST VALVE	4
8	25-35077-00	CAP, SEALING	3
9	25-34040-00	PLUG, SEALING	1
10	25-15024-00	BOLT, CYLINDER HEAD	18
11	25-15026-00SV	KIT, CYLINDER HEAD GASKET - INCLUDES:	1
12	NSS	GASKET, CYLINDER HEAD	1
NS	25-35032-00	O-RING (BLUE)	1

CT4-91

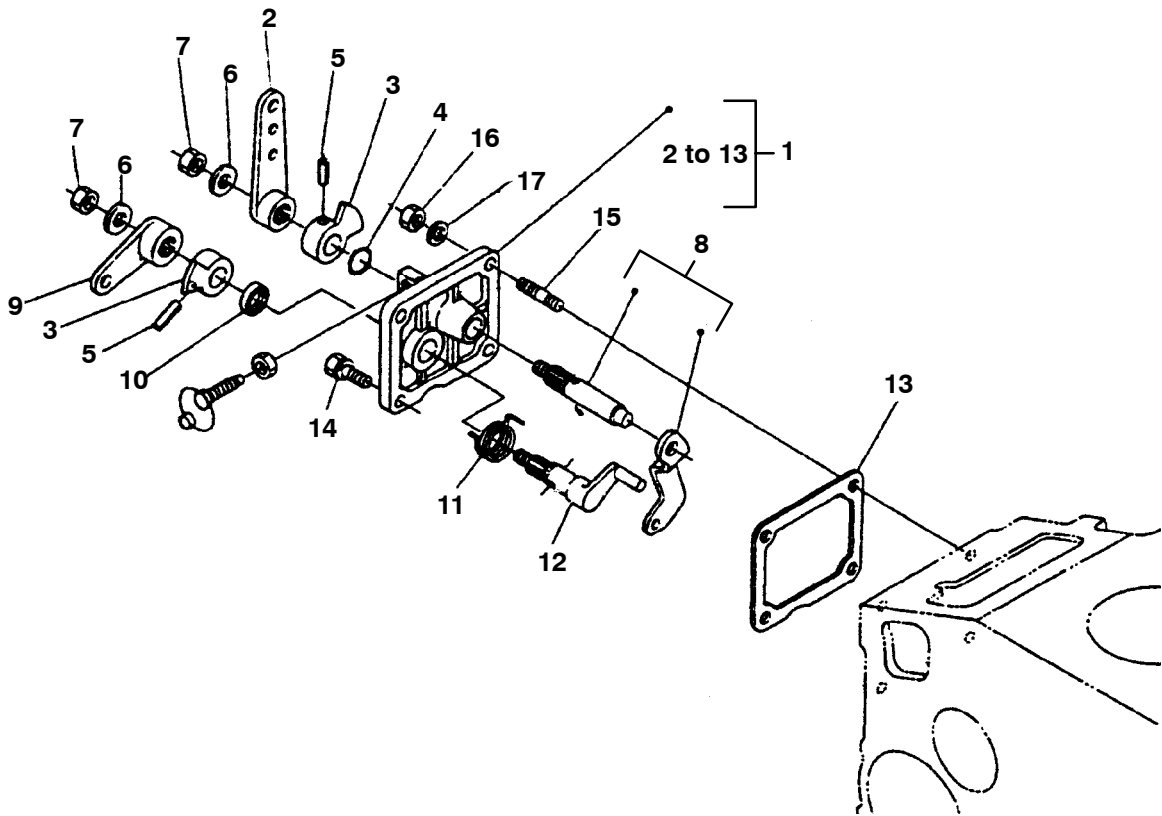
6. IDLING



ITEM	PART NO.	DESCRIPTION	QTY
1	25-15184-00	IDLE ASSEMBLY - INCLUDES:	1
2	NSS	BOLT, ADJUSTING ASSEMBLY	1
3	NSS	NUT, HEX	1
4	NSS	NUT, CAP	1
5	25-37492-00	GASKET	2
6	25-34259-00	CAP	1
7	25-15186-00	BOLT, ADJUSTING	1
8	25-15187-00SV	COVER, FUEL CAMSHAFT - INCLUDES:	1
9	25-15188-00	GASKET	1
10	25-37471-00	BOLT, HEX HEAD (M8 X 30 MM LG)	1
11	25-35384-00	BOLT, HEX HEAD (M8 X 20 MM LG)	1
12	25-35685-00	NUT, HEX (M8)	1

CT4-91

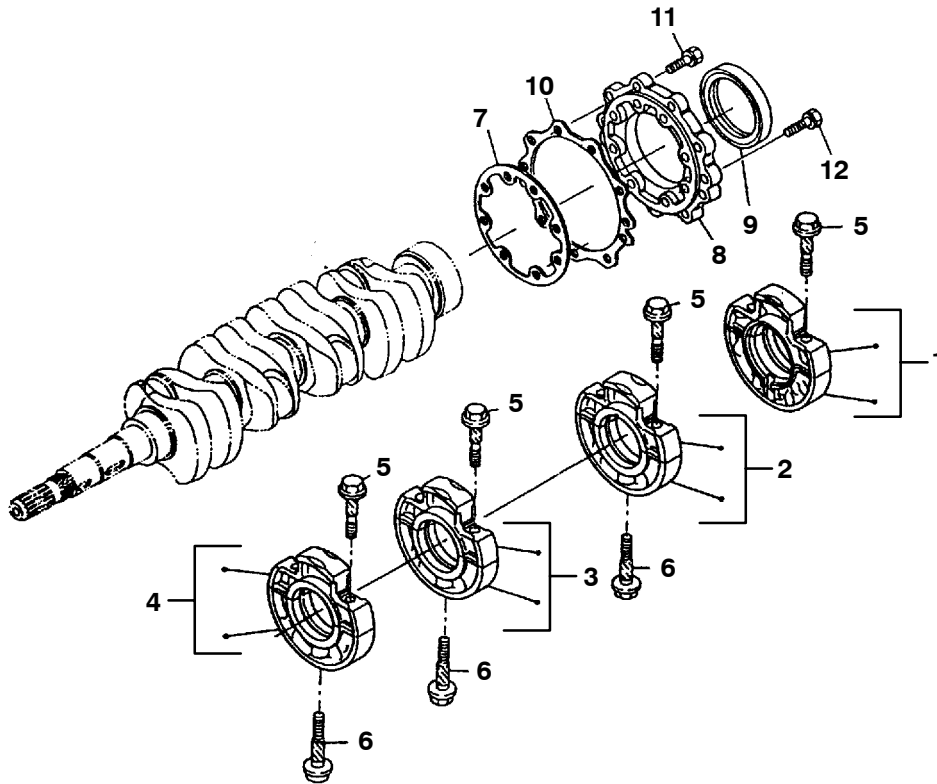
7. SPEED CONTROL



ITEM	PART NO.	DESCRIPTION	QTY
1	25-15200-00SV	SPEED CONTROL ASSEMBLY - INCLUDES:	1
2	25-15201-00	LEVER, SPEED CONTROL	1
3	25-15202-00	LEVER, SPEED CONTROL	1
4	25-15203-00	O-RING	1
5	25-37536-00	PIN, SPRING	2
6	25-15205-00	WASHER, PLAIN	2
7	25-15206-00	NUT , HEX (METRIC)	2
8	25-15207-00	LEVER, GOVERNOR	1
9	25-15208-00	LEVER, ENGINE STOP	1
10	25-36830-00	SEAL, OIL	1
11	25-15211-00	SPRING, RETURN	1
12	25-15212-00	SHAFT, LEVER	1
13	25-15213-00	GASKET, SPEED CONTROL PLATE	1
14	25-35676-00	BOLT, HEX HEAD (M6 X 16 MM LG)	2
15	25-36715-00	STUD (M6 X 16 MM LG)	2
16	25-35684-00	NUT, HEX (M6)	2
17	25-35692-00	WASHER, SPRING LOCK (M6)	4

CT4-91

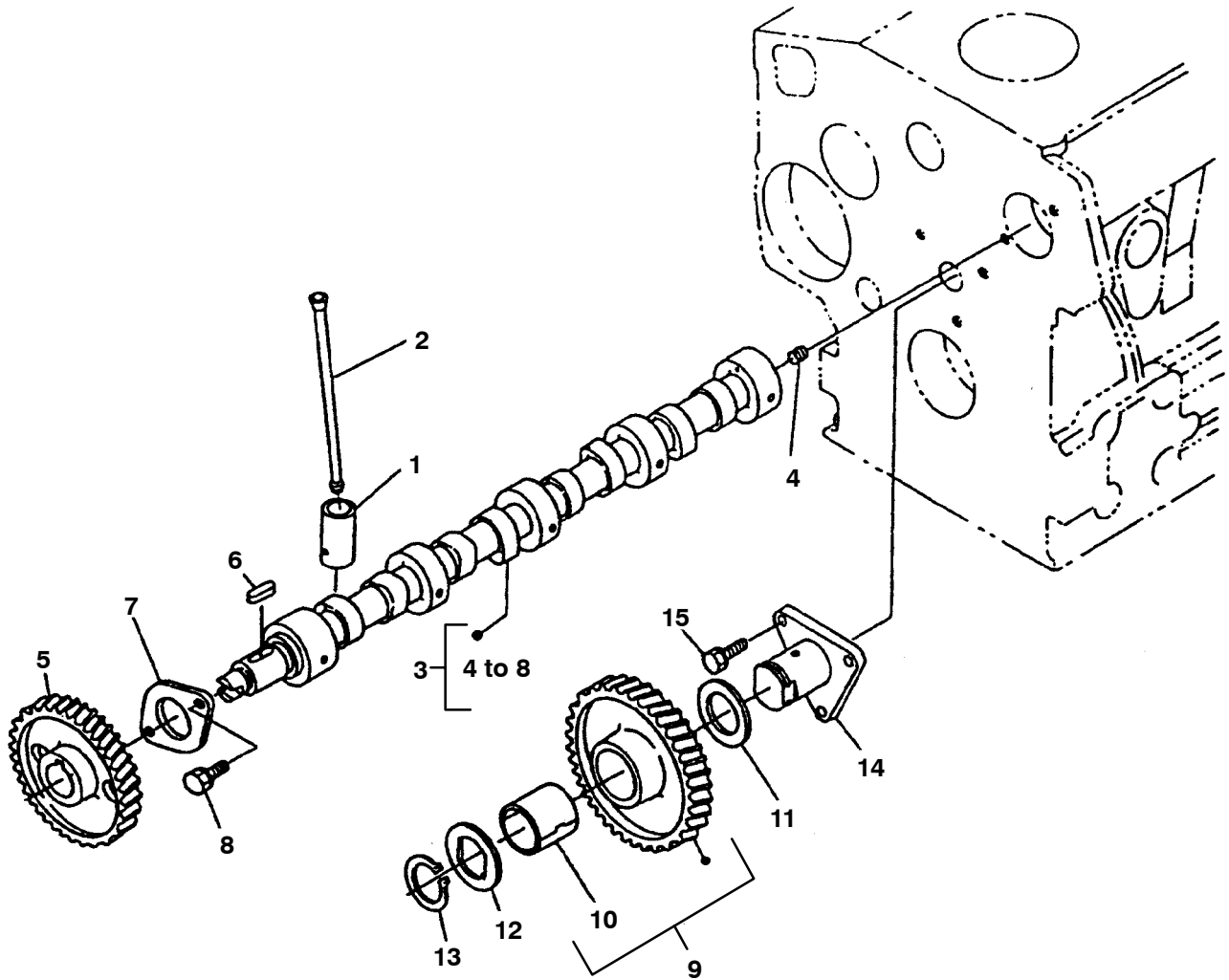
8. BEARING CASE



ITEM	PART NO.	DESCRIPTION	QTY
1	945546	CASE, MAIN BEARING #4	1
2	25-15092-00	CASE, MAIN BEARING #3	1
3	25-15091-00	CASE, MAIN BEARING #2	1
4	25-15089-00	CASE, MAIN BEARING FRONT	1
5	25-15086-00	BOLT, BEARING CASE -SPECIAL	8
6	25-15090-00	BOLT, BEARING CASE -SPECIAL	3
7	25-15087-00	GASKET, BEARING CASE	1
8	25-15088-00	COVER, BEARING CASE	1
9	25-15095-00	SEAL, OIL (REAR)	1
10	25-15096-00	GASKET, BEARING CASE COVER	1
11	25-35678-00	BOLT, HEX HEAD (M6 X 20 MM LG)	9
12	25-35179-00	BOLT, HEX HEAD (M6 X 26 MM LG)	8

CT4-91

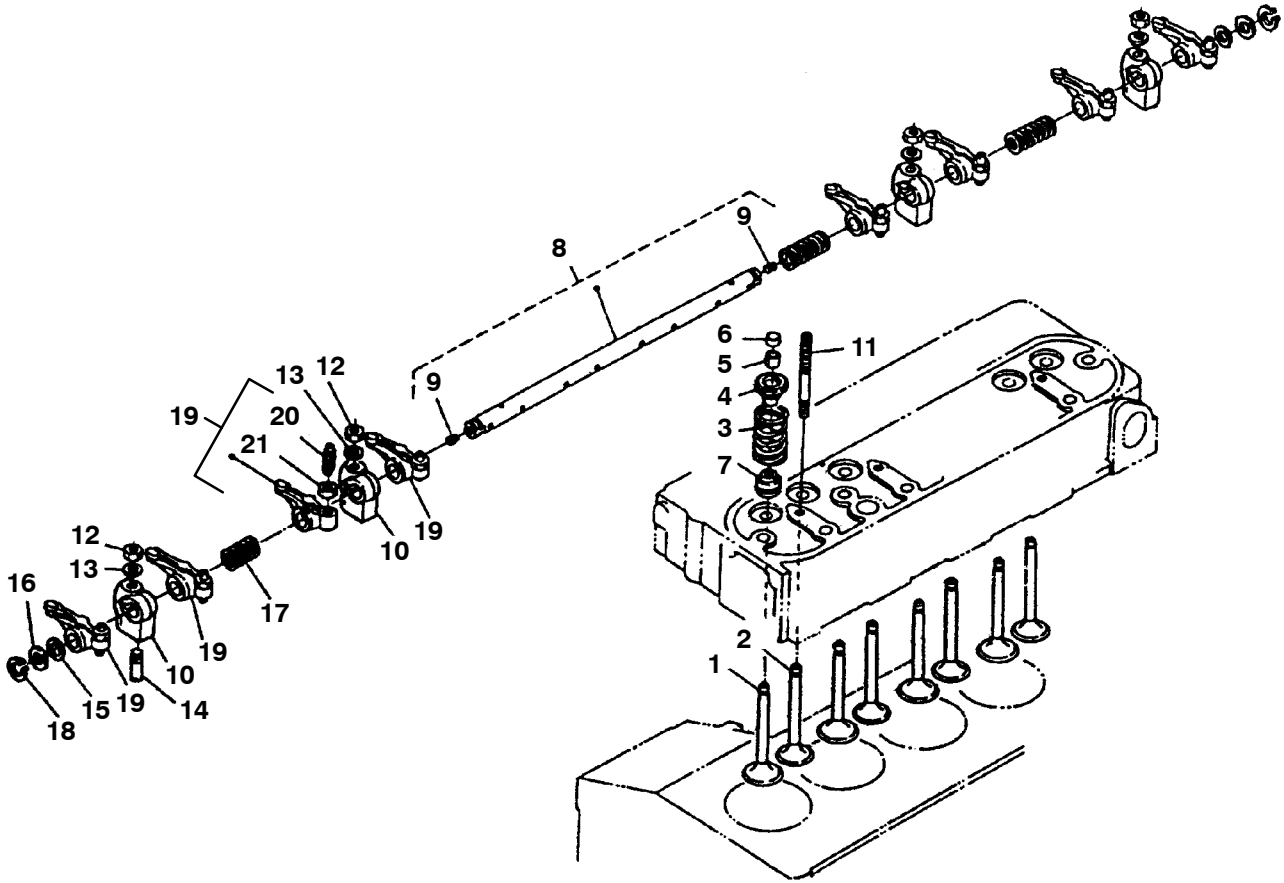
9. CAMSHAFT



ITEM	PART NO.	DESCRIPTION	QTY
1	25-15105-00	TAPPET	8
2	25-15106-00	ROD, PUSH	8
3	25-15107-00	CAMSHAFT ASSEMBLY - INCLUDES:	1
4	25-34143-00	SCREW, SET	2
5	25-15108-00	GEAR, CAMSHAFT	1
6	25-34145-00	KEY, FEATHER	1
7	25-15109-00	STOPPER, CAMSHAFT	1
8	25-36346-00	BOLT, HEX HEAD (M6 X 14 MM LG)	2
9	25-15110-00	IDLE ASSEMBLY, GEAR - INCLUDES:	1
10	25-15111-00	BUSHING, IDLE GEAR	1
11	25-15112-00	COLLAR, IDLE GEAR	1
12	25-15113-00	COLLAR, IDLE GEAR	1
13	25-15114-00	CIR-CLIP, EXTERNAL	1
14	25-15115-00	SHAFT, IDLE GEAR	1
15	25-35676-00	BOLT, HEX HEAD (M6 X 16 MM LG) GRADE 7	3

CT4-91

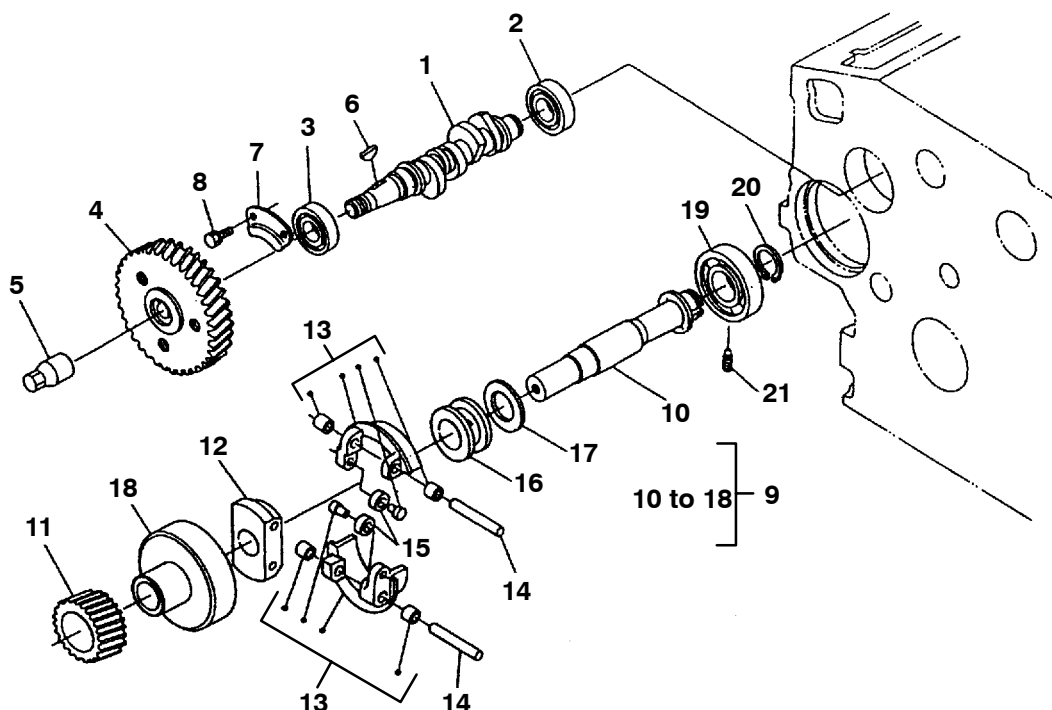
10. VALVES AND ROCKER ARM



ITEM	PART NO.	DESCRIPTION	QTY
1	25-15460-00	VALVE, INLET	4
2	25-15461-00	VALVE, EXHAUST	4
3	25-15462-00	SPRING, VALVE	8
4	25-36800-00	RETAINER, VALVE SPRING	8
5	25-35304-00	KEEPER, VALVE SPRING	16
6	25-35306-00	CAP, VALVE	8
7	25-15465-00	SEAL, VALVE STEM	8
8	25-15467-00	SHAFT, ROCKER ARM - INCLUDES:	1
9	25-15468-00	SCREW, SET	2
10	25-15469-00	BRACKET, ROCKER ARM	4
11	25-15470-00	STUD	4
12	25-35310-00	NUT, HEX	4
13	25-35311-00	WASHER, PLAIN	4
14	25-35312-00	SCREW, SET	1
15	25-15471-00	WASHER, SPRING	2
16	25-15472-00	WASHER, PLAIN	2
17	25-15473-00	SPRING, ROCKER ARM	3
18	25-15474-00	CIR-CLIP, EXTERNAL	2
19	25-15475-00	ROCKER ARM ASSEMBLY - INCLUDES:	8
20	25-15476-00	SCREW, ADJUSTING	1
21	25-15477-00	NUT , HEX	1

CT4-91

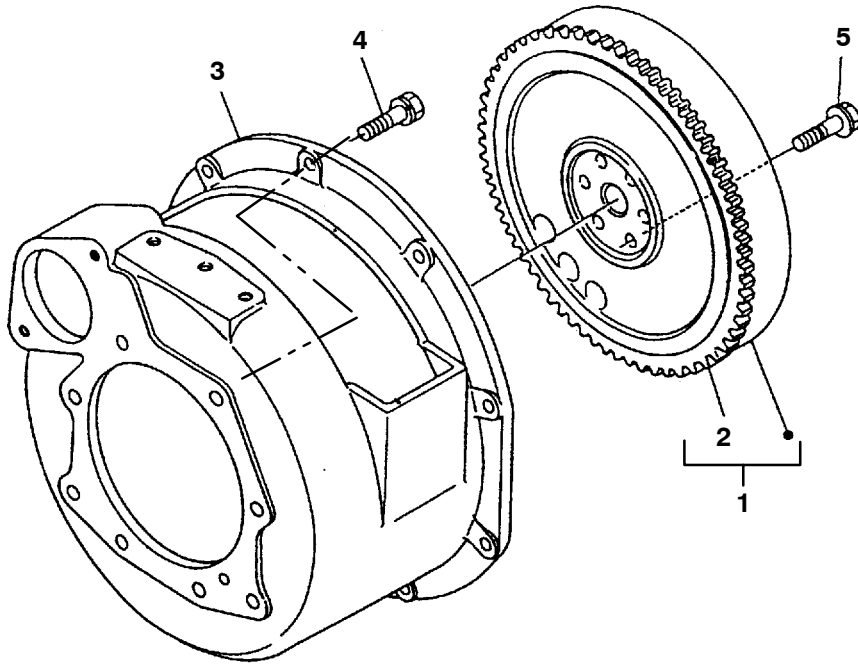
11. FUEL CAMSHAFT



ITEM	PART NO.	DESCRIPTION	QTY
1	25-15165-00	CAMSHAFT, FUEL (PRIOR TO ◀ S/N 489916)	1
1	25-15165-05	CAMSHAFT, FUEL (STARTING WITH ▶ S/N 489916)	1
2	25-15166-00	BEARING	1
3	25-15167-00	BEARING	1
4	25-15168-00	GEAR, INJECTION PUMP	1
5	25-15169-00	CAP, NUT	2
6	25-15170-00	KEY, FEATHER	1
7	25-15171-00	STOPPER, FUEL CAMSHAFT	1
8	25-35675-00	BOLT, HEX HEAD (M6 X 12 MM LG)	2
9	25-15172-00	SHAFT, GOVERNOR - INCLUDES:	1
10	NSS	SHAFT, GOVERNOR	1
11	25-15174-00	GEAR, GOVERNOR	1
12	25-15175-00	HOLDER, GOVERNOR WEIGHT	1
13	25-15176-00	WEIGHT, GOVERNOR	2
14	25-15177-00	SHAFT, GOVERNOR WEIGHT	2
15	25-15178-00	BEARING, ROLLER	2
16	25-15179-00	SLEEVE, GOVERNOR	1
17	25-15180-00	WASHER, THRUST	1
18	25-15190-00	HOLDER, GOVERNOR GEAR	1
19	25-15181-00	BEARING	1
20	25-15182-00	CIR-CLIP	1
21	25-15183-00	SCREW, SET	1

CT4-91

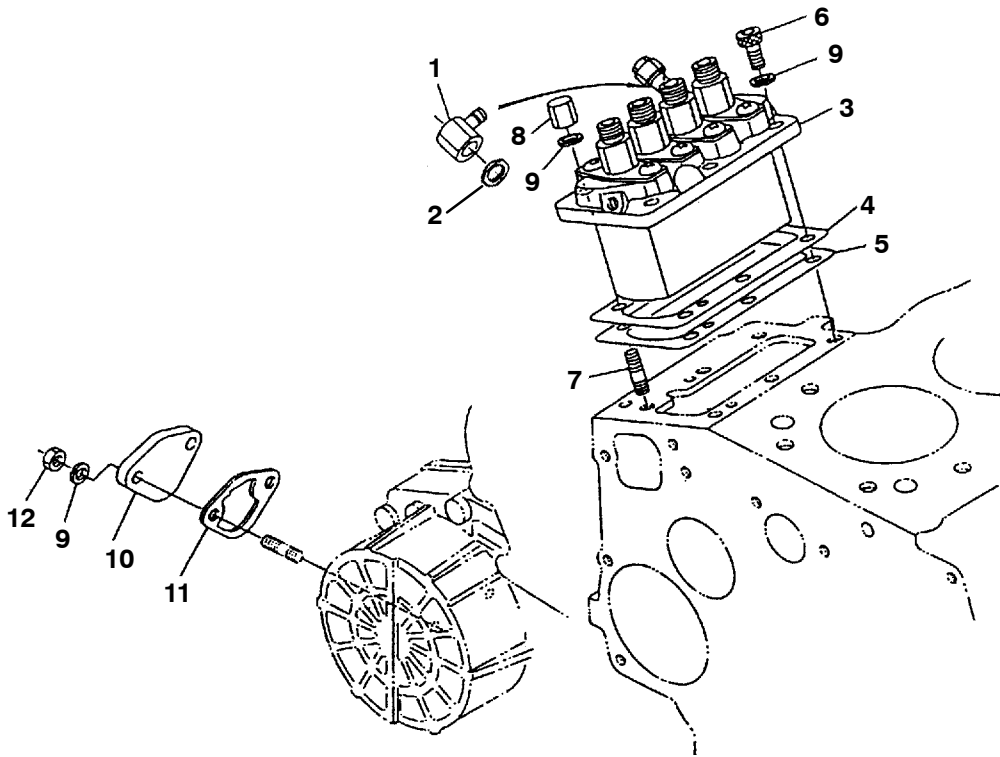
12. FLYWHEEL AND HOUSING



ITEM	PART NO.	DESCRIPTION	QTY
1	25-15155-00	FLYWHEEL ASSEMBLY - INCLUDES:	1
2	25-35450-04	GEAR, RING	1
3	25-15157-00	HOUSING, FLYWHEEL	1
4	25-36453-00	BOLT, HEX HEAD	8
5	25-15156-00	BOLT, HEX HEAD	1

CT4-91

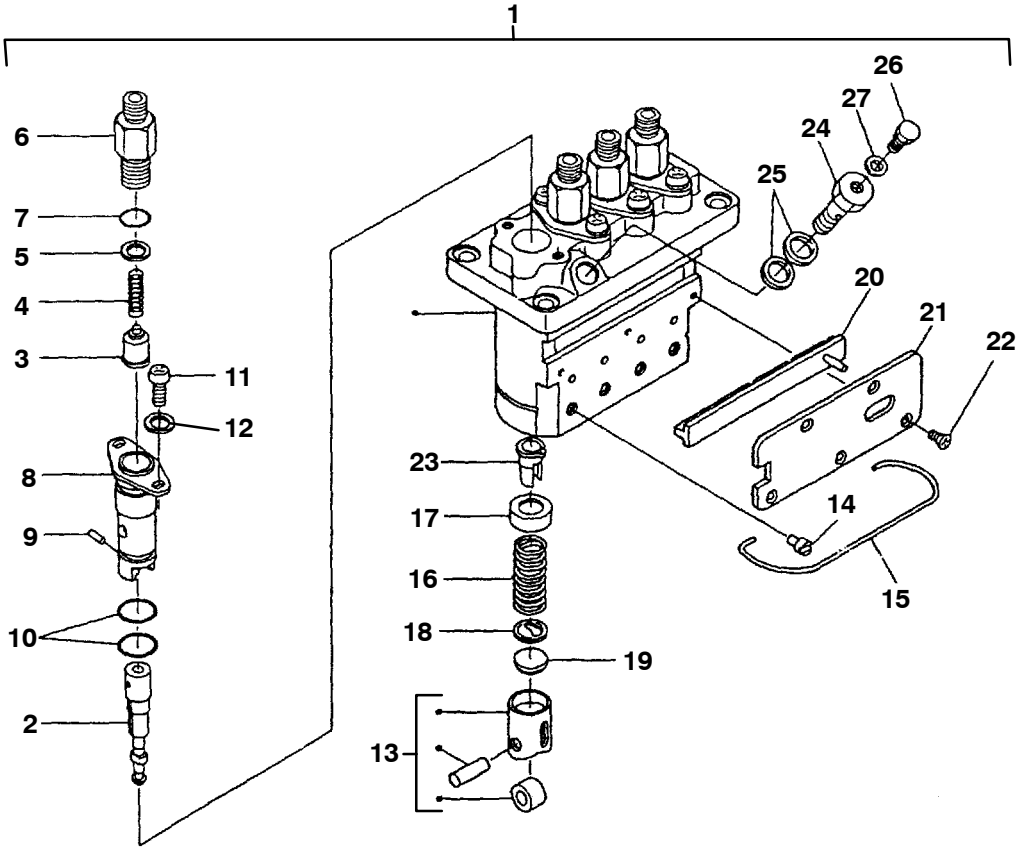
13. INJECTION PUMP



ITEM	PART NO.	DESCRIPTION	QTY
1	25-34366-00	FITTING, BANJO	1
2	25-34359-00	GASKET, BANJO FITTING	1
3	-	INJECTION PUMP ASSEMBLY - REFER TO SECTION 14.	1
4	25-15241-00	SHIM, INJECTION PUMP (+0.20 MM)	A/R
4	25-15242-00	SHIM, INJECTION PUMP (+0.25 MM)	A/R
5	25-15243-00	SHIM, INJECTION PUMP (+0.30 MM)	A/R
6	25-34236-00	BOLT, SOCKET HEAD (M6 X 20 MM LG) GRADE 7	3
7	25-34237-00	STUD (M6) GRADE 7	3
8	25-34238-00	NUT, CAP (M6)	3
9	25-35692-00	WASHER, LOCK (M6)	10
10	25-34250-00	COVER, FUEL PUMP	1
11	944233	GASKET, COVER	1
12	25-35684-00	NUT, HEX (M6)	2

CT4-91

14. INJECTION PUMP (COMPONENT PARTS)



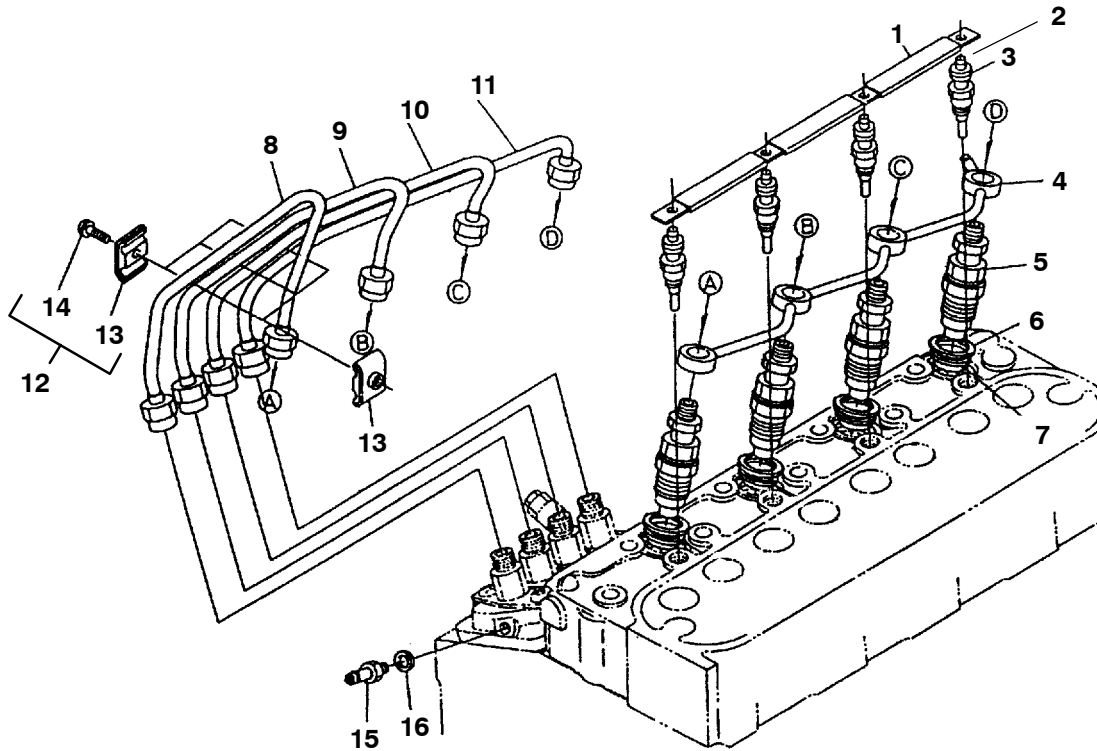
CT4-91

14. INJECTION PUMP (COMPONENT PARTS)

ITEM	PART NO.	DESCRIPTION	QTY
1	25-15240-00	INJECTION PUMP ASSEMBLY - INCLUDES:	1
2	25-15244-00	PLUNGER, PUMP	4
3	25-34337-00	VALVE, DELIVERY	4
4	25-34338-00	SPRING, DELIVERY VALVE	4
5	25-34339-00	GASKET, DELIVERY VALVE	4
6	25-15245-00	HOLDER, DELIVERY VALVE	4
7	25-34341-00	O-RING, DELIVERY VALVE HOLDER	4
8	25-34342-00	FLANGE	4
9	25-34343-00	PIN	4
10	25-34344-00	O-RING, FLANGE	8
11	25-34345-00	SCREW	8
12	25-34346-00	WASHER	8
13	25-34347-00	TAPPET ASSEMBLY	4
14	25-34348-00	PIN, TAPPET GUIDE	4
15	25-15246-00	CLAMP, PIN	1
16	25-34350-00	SPRING, PLUNGER	4
17	25-34351-00	SEAT, SPRING (UPPER)	4
18	25-34352-00	SEAT, SPRING (LOWER)	4
19	25-34353-00	SHIM	1
20	25-15247-00	RACK, CONTROL	1
21	25-15248-00	PLATE	1
22	25-34356-00	SCREW	5
23	25-34357-00	SLEEVE, CONTROL	4
24	25-34358-00	FITTING, INJECTION PUMP INLET	1
25	25-34359-00	GASKET	2
26	25-36642-00	SCREW, AIR BLEED	1
27	25-36643-00	GASKET	1

CT4-91

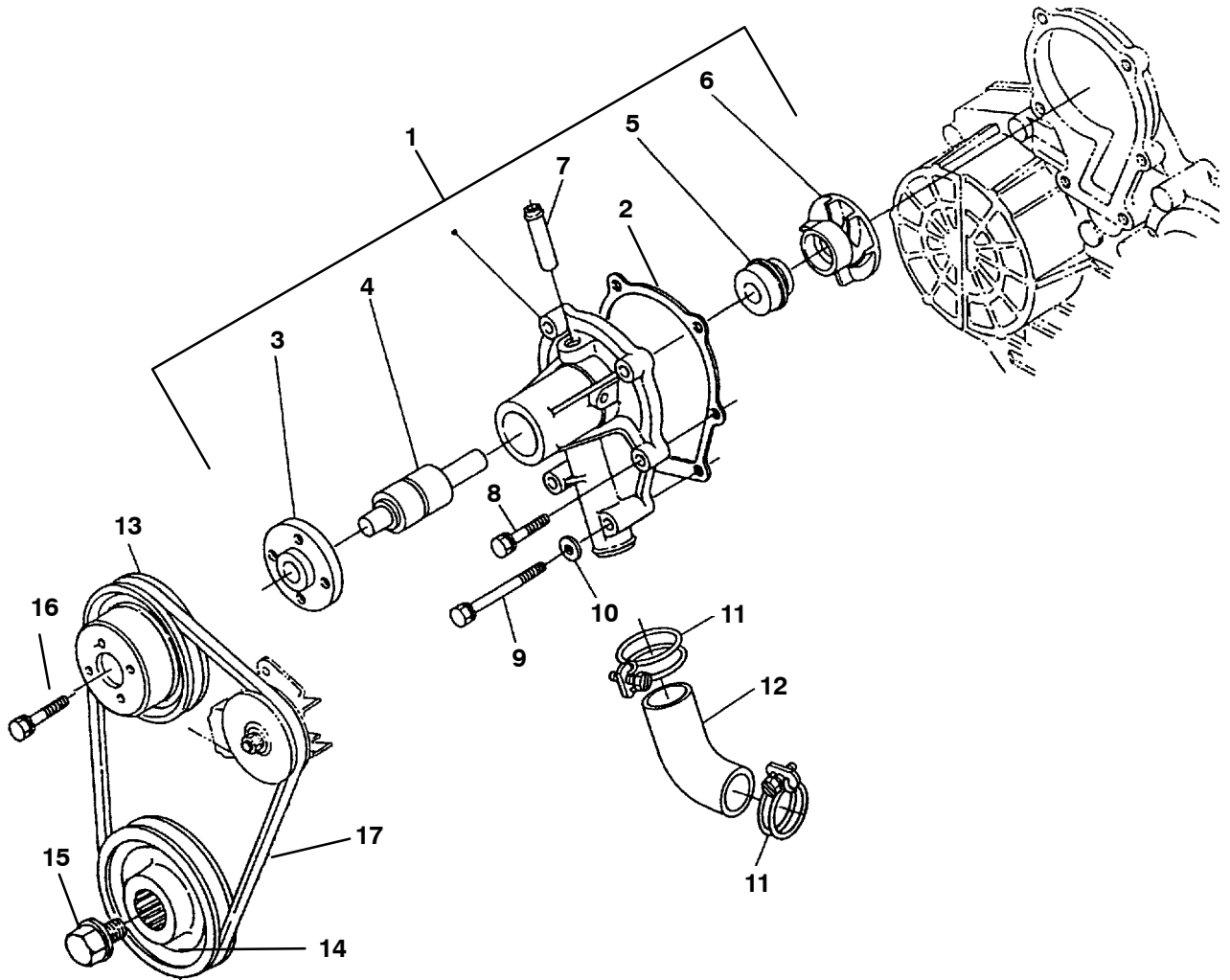
15. GLOW PLUGS AND INJECTORS



ITEM	PART NO.	DESCRIPTION	QTY
1	25-15326-00	BUSS BAR, GLOW PLUG	1
2	25-34222-00	NUT, GLOW PLUG	4
3	25-15325-00	GLOW PLUG (M10 SLOW GLOW) - PRIOR TO ◀ S/N 490138	4
3	25-15330-00	GLOW PLUG (M8 FAST GLOW) - STARTING WITH ▶ S/N 490138	4
4	25-15328-00	PIPE, FUEL LEAK OFF	1
5	25-15327-00SV	INJECTOR - INCLUDES:- REFER TO GROUP 24.	4
6	25-34216-00	GASKET, INJECTOR - PRIOR TO ◀ S/N WX2480	1
7	25-39147-00	SEAL, HEAT - PRIOR TO ◀ S/N WX2480	1
8	25-15329-00	PIPE, INJECTION NO.1	1
9	25-15333-00	PIPE, INJECTION NO.2	1
10	25-15331-00	PIPE, INJECTION NO.3	1
11	25-15332-00	PIPE, INJECTION NO.4	1
12	25-38140-00	CLAMP ASSEMBLY - INCLUDES:	2
13	NSS	CLAMP, PIPE	1
14	25-35481-00	SCREW, WITH WASHER (M5 X 20 MM LG)	1
15	25-34202-00	FITTING, FUEL LEAK OFF	1
16	25-37492-00	GASKET	1

CT4-91

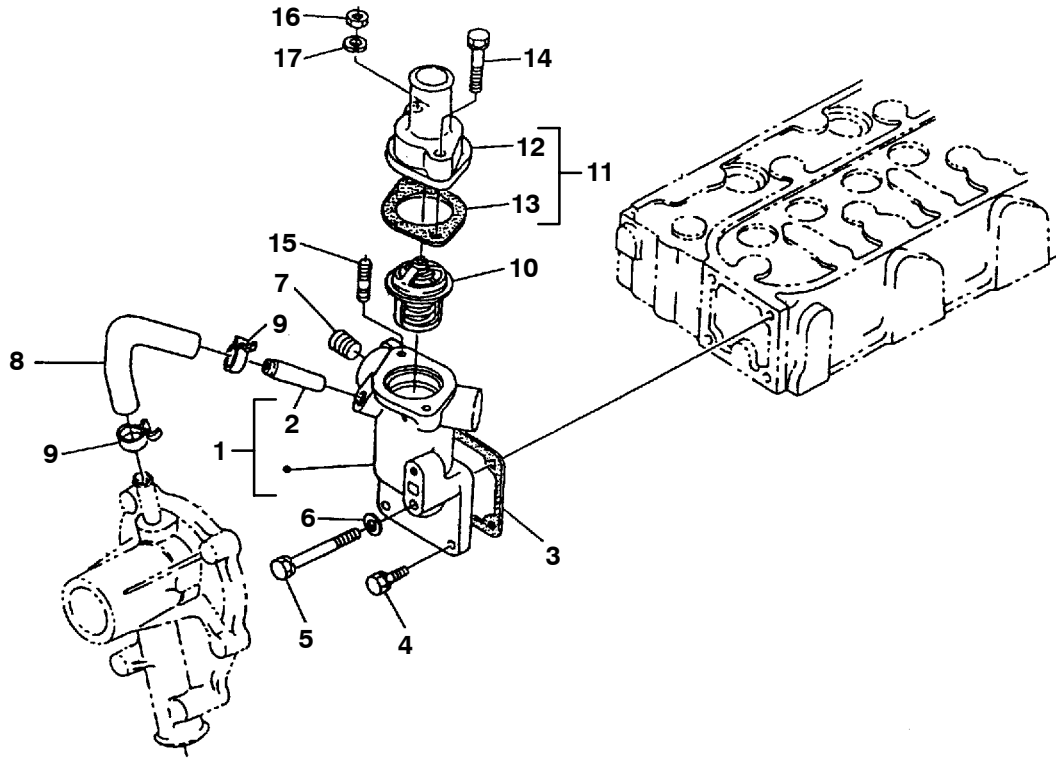
16. WATER PUMP AND IDLER PULLEY



ITEM	PART NO.	DESCRIPTION	QTY
1	25-15425-00SV	WATER PUMP ASSEMBLY - INCLUDES:	1
2	25-15426-00	GASKET, WATER PUMP	1
3	25-15428-00	FLANGE, WATER PUMP	1
4	NSS	BEARING, WATER PUMP	1
5	NSS	SEAL, WATER PUMP SHAFT	1
6	NSS	IMPELLER, WATER PUMP	1
7	25-15430-00	PIPE, WATER RETURN	1
8	25-34404-00	BOLT, HEX HEAD (M6 X 30 MM LG)	4
9	25-34030-00	BOLT, HEX HEAD (M6 X 80 MM LG)	2
10	25-35711-00	WASHER, PLAIN (M6)	2
11	945739	CLAMP, HOSE	2
12	25-15436-00	HOSE, WATER	1
13	25-15360-00	PULLEY, WATER PUMP	1
14	25-15361-00	PULLEY, FAN DRIVE	1
15	25-15362-00	BOLT, HEX HEAD	1
16	25-35675-00	BOLT, HEX HEAD	4
17	25-15363-00	BELT, WATER PUMP	1

CT4-91

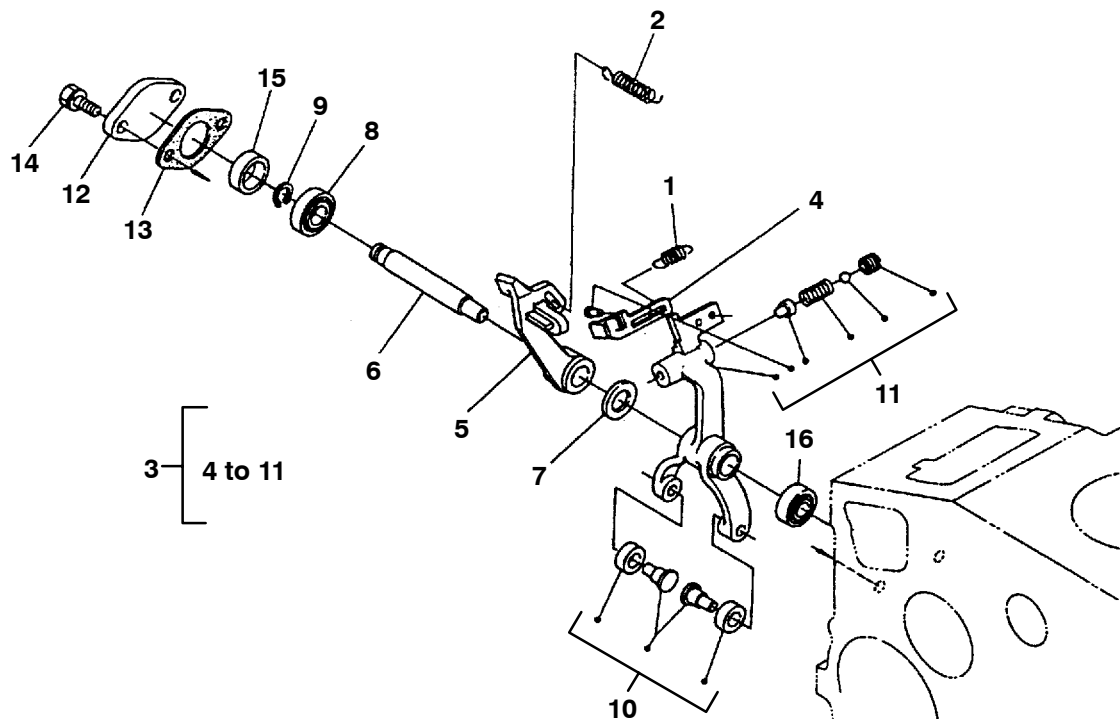
17. THERMOSTAT



ITEM	PART NO.	DESCRIPTION	QTY
1	25-15405-00	HOUSING, THERMOSTAT - Small, Prior to S/N 110499 - Includes:	1
1	25-15025-00	HOUSING, THERMOSTAT - Large, Starting With S/N 110499 - Includes:	1
2	25-15406-00	PIPE, WATER RETURN	1
3	25-15410-00	GASKET, THERMOSTAT HOUSING 3-69 & 4-91	1
4	25-35676-00	BOLT, HEX HEAD (M6 X 16 MM LG)	3
5	25-35050-00	BOLT, HEX HEAD (M6 X 55 MM LG)	1
6	25-36711-00	WASHER, PLAIN (M6)	1
7	25-34040-00	PLUG	1
8	25-15411-00	HOSE, BY-PASS	1
9	29-70231-00	CLAMP, PIPE	2
10	25-34309-01	THERMOSTAT - SMALL - Includes:	1
13	25-36676-00	GASKET, THERMOSTAT - SMALL 53 mm	1
10	25-39236-01	THERMOSTAT - LARGE - Includes:	1
13	25-37558-00	GASKET, THERMOSTAT - LARGE 59 mm	1
11	25-15416-00SV	COVER, THERMOSTAT - Small, Prior to S/N 110499 - Includes:	1
11	25-15031-00SV	COVER, THERMOSTAT - Large, Starting With S/N 110499 - Includes:	1
12	NSS	COVER, THERMOSTAT	1
13	25-36676-00	GASKET, THERMOSTAT - SMALL 53 mm	1
13	25-37558-00	GASKET, THERMOSTAT - LARGE 59 mm	1
14	25-15419-00	BOLT, HEX HEAD (M6 X 32 MM LG)	1
15	25-15418-00	STUD (M6)	1
16	25-35684-00	NUT, HEX (M6)	1
17	25-35692-00	WASHER, LOCK (M6)	1

CT4-91

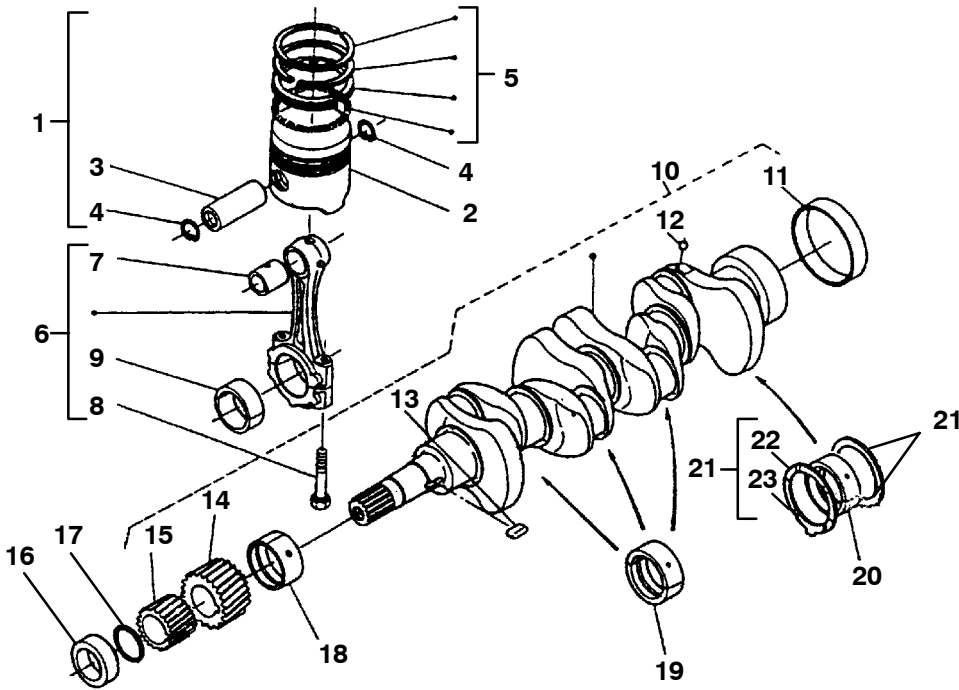
18. GOVERNOR



ITEM	PART NO.	DESCRIPTION	QTY
1	25-15260-00	SPRING, START	1
2	25-15065-00	SPRING, GOVERNOR	1
3	25-15067-00	LEVER ASSY, FORK - INCLUDES:	1
4	25-15263-00	LEVER, THRUST	1
5	25-15066-00	LEVER FORK	1
6	25-15265-00	SHAFT, FORK LEVER	1
7	25-39213-00	WASHER, PLAIN	1
8	25-15266-00	BEARING	1
9	25-15267-00	CIR-CLIP (EXTERNAL)	1
10	25-15178-00	BUSHING	1
11	NSS	SCREW, ADJUSTING	1
12	945716	COVER, FORK LEVER	1
13	25-15269-00	GASKET, COVER	1
14	29-70219-00	BOLT, HEX HEAD (M6 X 14 MM LG)	2
15	25-15270-00	COLLAR	1
16	25-15271-00	BEARING	1

CT4-91

19. CRANKSHAFT AND PISTONS

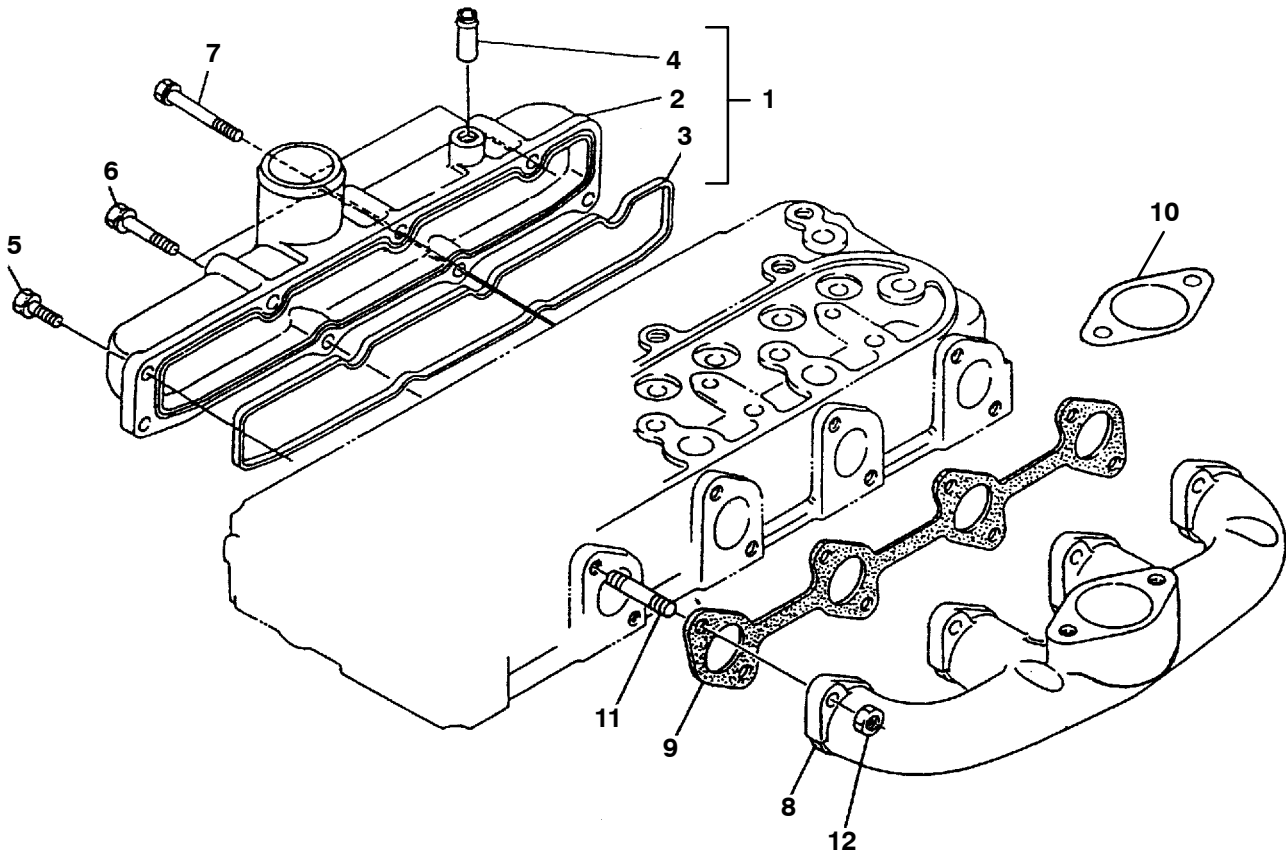


CT4-91

19. CRANKSHAFT AND PISTONS			
ITEM	PART NO.	DESCRIPTION	QTY
1	25-15125-00SV	PISTON & RING ASSEMBLY (STANDARD) - INCLUDES:	4
1	25-15126-00SV	PISTON & RING ASSEMBLY (0.5 MM OVERSIZE) - INCLUDES:	A/R
2	NSS	PISTON	1
3	25-15129-00	PIN, PISTON	1
4	25-15130-00	CIR-CLIP	2
5	25-15127-00	RING SET, PISTON (STANDARD)	1
5	25-15128-00	RING SET, PISTON (0.5 MM OVERSIZE)	1
6	25-15140-00	CONNECTING ROD ASSEMBLY - INCLUDES:	4
7	25-15131-00	BUSHING, PISTON PIN	1
8	25-15132-00	BOLT, CONNECTING ROD	2
9	25-15133-00	BEARING, CONNECTING ROD (STANDARD)	1
9	25-15134-00	BEARING, CONNECTING ROD (0.2 MM OVERSIZE)	A/R
9	25-15135-00	BEARING, CONNECTING ROD (0.4 MM OVERSIZE)	A/R
10	25-15136-00	CRANKSHAFT ASSEMBLY - INCLUDES:	1
11	25-15152-00	SLEEVE, WEAR	1
12	25-34169-00	BALL	4
13	25-15138-00	KEY, FEATHER	1
14	25-15137-00	GEAR, CRANKSHAFT	1
15	25-15139-00	GEAR, OIL PUMP	1
16	25-15153-00	COLLAR, CRANKSHAFT	1
17	25-15154-00	O-RING	1
18	25-15145-00	BEARING, CRANKSHAFT MAIN (#1) (STANDARD)	1
18	25-15146-00	BEARING, CRANKSHAFT MAIN (#1) (0.2 MM OVERSIZE)	1
18	25-15147-00	BEARING, CRANKSHAFT (#1) (0.4 MM OVERSIZE)	1
19	25-15148-00	BEARING, CRANKSHAFT MAIN (#2) (STANDARD)	1
19	25-15149-00	BEARING, CRANKSHAFT MAIN (#2) (0.2 MM OVERSIZE)	1
19	25-15150-00	BEARING, CRANKSHAFT MAIN (#2) (0.4 MM OVERSIZE)	1
20	25-15151-00	BEARING, CRANKSHAFT (#3) (STANDARD)	2
20	25-15151-02	BEARING, CRANKSHAFT (#3) (0.2 MM OVERSIZE)	2
20	25-15151-04	BEARING, CRANKSHAFT (#3) (0.4 MM OVERSIZE)	2
21	25-37399-00	KIT, THRUSTWASHER (STANDARD) - INCLUDES:	1
21	25-37409-00	KIT, THRUSTWASHER (0.2 MM OVERSIZE) - INCLUDES:	1
21	25-37410-00	KIT, THRUSTWASHER (0.4 MM OVERSIZE) - INCLUDES:	1
22	NSS	WASHER, THRUST (UPPER)	2
23	NSS	WASHER, THRUST (LOWER)	2

CT4-91

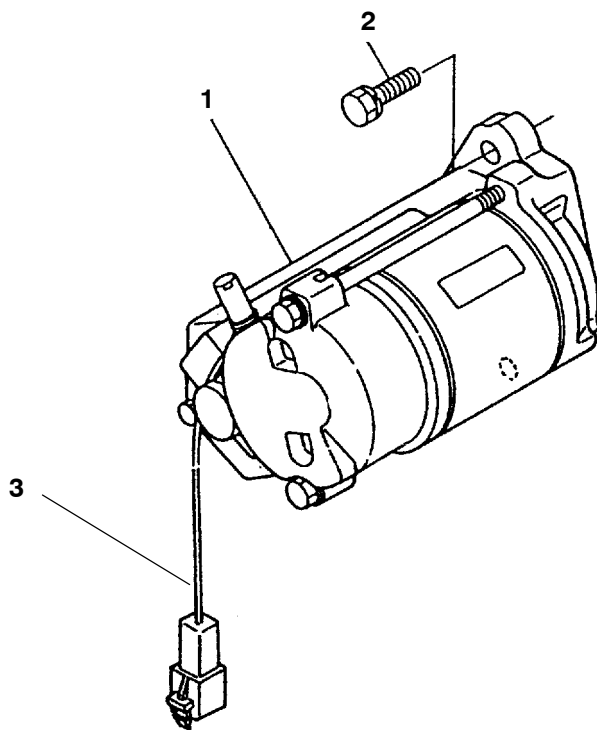
20. MANIFOLD



ITEM	PART NO.	DESCRIPTION	QTY
1	25-15500-00	MANIFOLD, INTAKE - INCLUDES:	1
2	NSS	MANIFOLD, INTAKE	1
3	25-15503-00	GASKET, INTAKE MANIFOLD	1
4	25-15502-00	PIPE, BREATHER	1
5	25-35677-00	BOLT, HEX HEAD (M6 X 18 MM LG)	3
6	25-34404-00	BOLT, HEX HEAD (M6 X 30 MM LG)	2
7	25-37042-00	BOLT, HEX HEAD (M6 X 50 MM LG)	3
8	25-15490-00SV	MANIFOLD, EXHAUST - INCLUDES:	1
9	25-15491-00	GASKET, EXHAUST MANIFOLD	1
10	25-15494-00	GASKET, EXHAUST PIPE	1
11	25-15492-00	STUD	8
12	25-15493-00	NUT, HEX	8

CT4-91

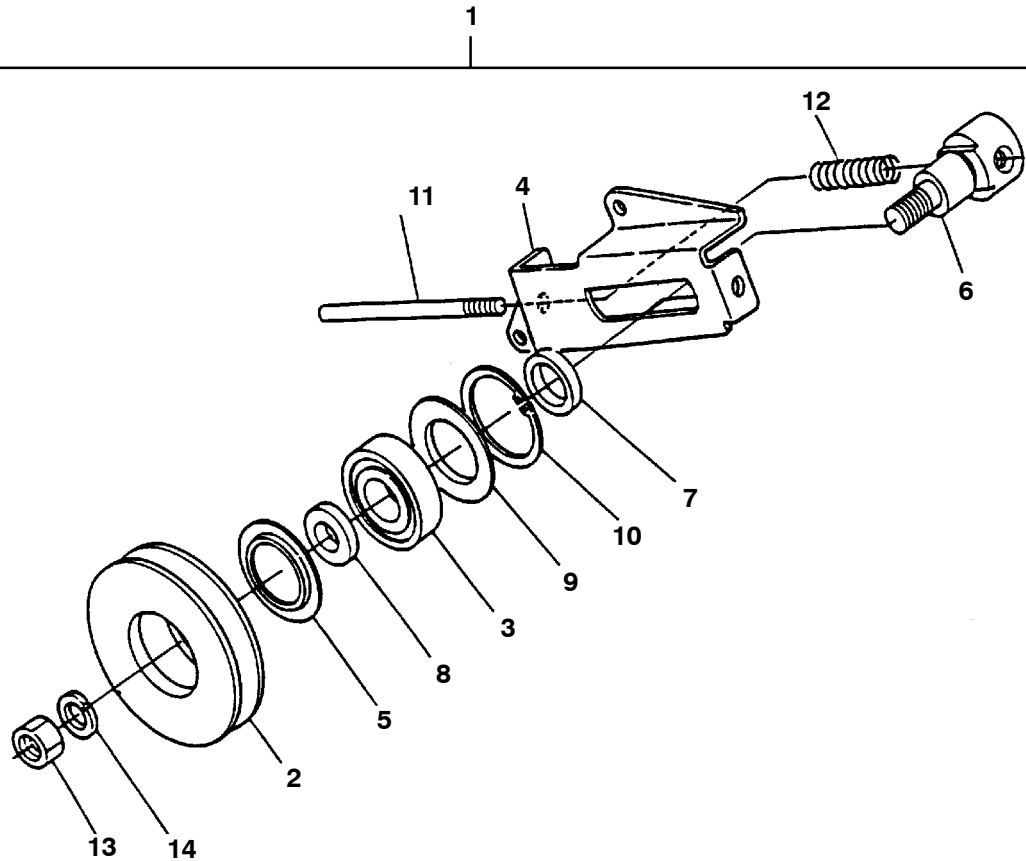
21. STARTER



ITEM	PART NO.	DESCRIPTION	QTY
1	25-15520-00	STARTER ASSEMBLY - INCLUDES:	1
NS	25-15525-00	HOLDER BRUSH - INCLUDES:	1
NS	25-15526-00	SPRING BRUSH	4
NS	25-37731-01	BRUSH	2
NS	25-37738-00	O-RING	2
2	25-37471-00	BOLT, HEX HEAD (M8 X 30 MM LG)	2
3	25-39135-03	WIRE ASSEMBLY, SOLENOID	1

CT4-91

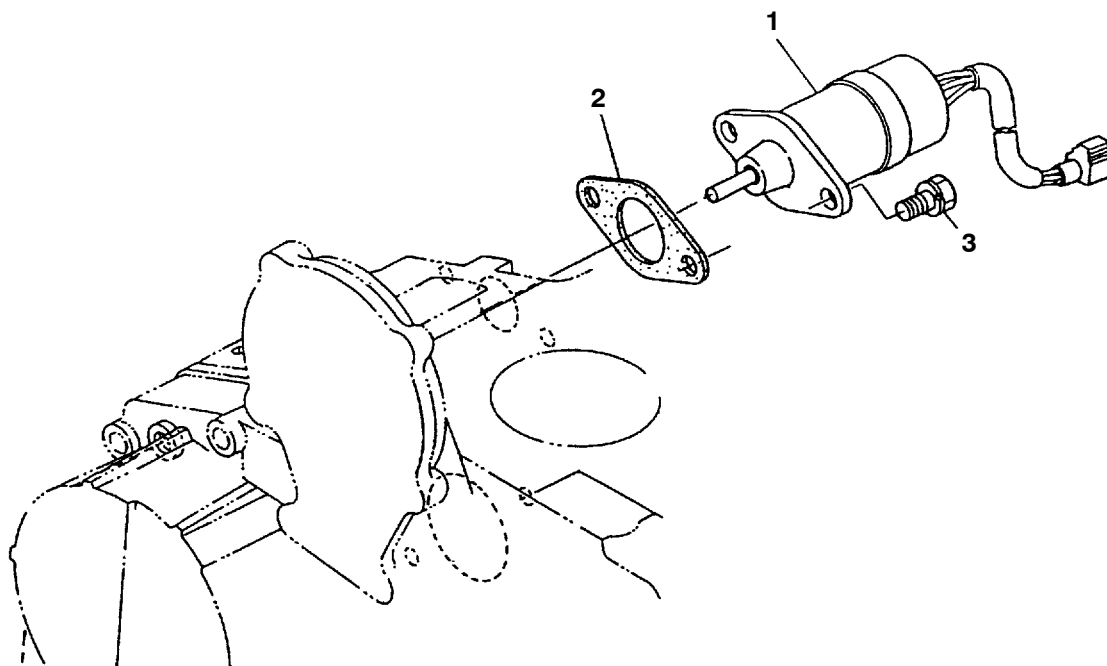
22. IDLER



ITEM	PART NO.	DESCRIPTION	QTY
1	25-15450-00	IDLER ASSEMBLY - INCLUDES:	1
2	25-36600-00	PULLEY, IDLER	1
3	04-00018-00	BEARING, IDLER	1
4	25-15440-00	SUPPORT, IDLER	1
5	25-35705-00	COVER, PULLEY	1
6	25-15451-00	SHAFT, IDLER	1
7	25-15452-00	COLLAR, IDLER	1
8	25-35708-00	COLLAR, IDLER	1
9	25-35709-00	COVER, PULLEY	1
10	25-35710-00	CIR-CLIP	1
11	25-31441-00	BOLT, TENSION	1
12	25-31442-00	SPRING, TENSION	1
13	25-36604-00	NUT, HEX (M10)	1
14	25-37690-00	WASHER, LOCK (M10)	1

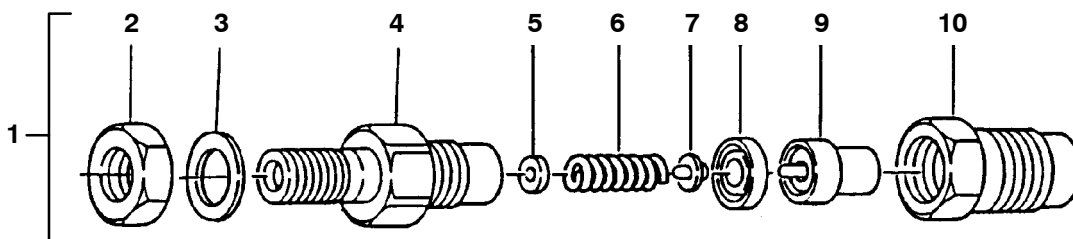
CT4-91

23. STOP SOLENOID



ITEM	PART NO.	DESCRIPTION	QTY
1	25-15230-01	SOLENOID, STOP - INCLUDES:	1
2	25-15231-00	GASKET, SOLENOID	1
3	25-36346-00	BOLT	2

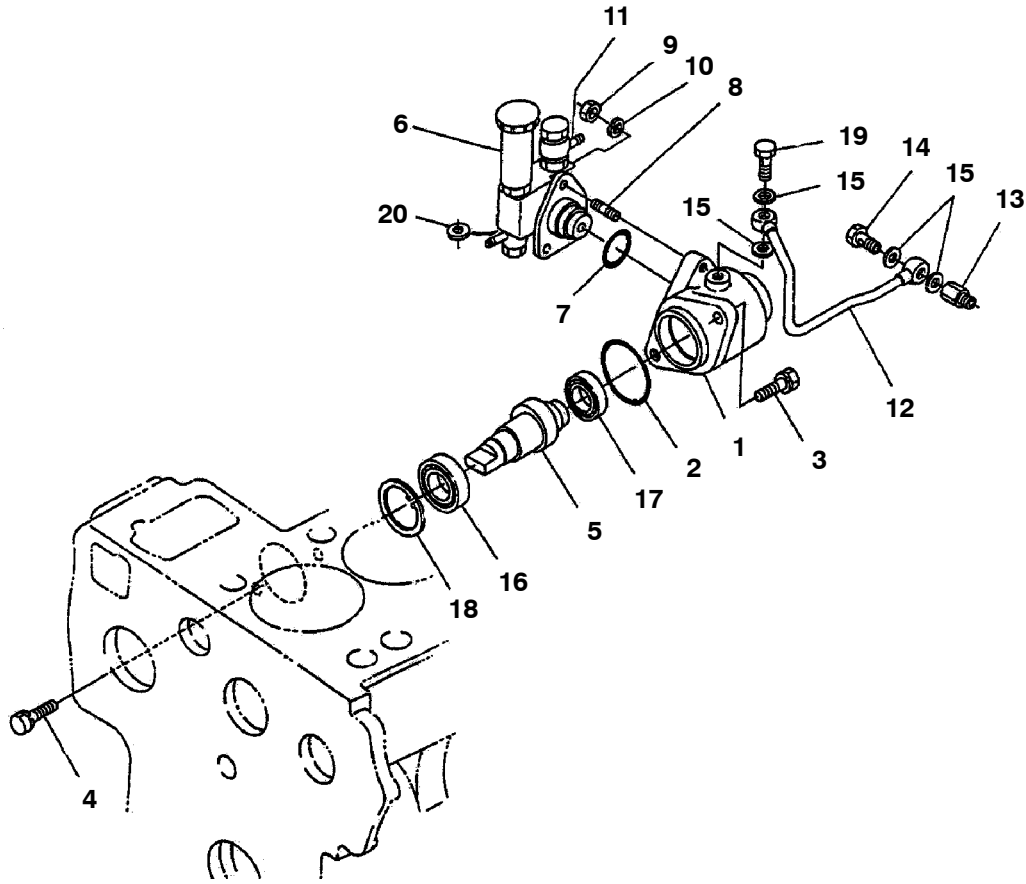
24. INJECTOR ASSEMBLY



ITEM	PART NO.	DESCRIPTION	QTY
1	25-15327-00SV	INJECTOR ASSEMBLY - INCLUDES:	3
2	29-70149-00	NUT, INJECTOR	1
3	29-70175-00	WASHER, PLAIN (SPECIAL)	1
4	NSS	BODY, NOZZLE HOLDER	1
5	29-70150-00	WASHER, ADJUSTING	1
6	29-70151-00	SPRING	1
7	29-70173-00	ROD, PUSH	1
8	29-70172-00	SPACER, INJECTOR	1
9	29-70152-00	NOZZLE	1
10	29-70194-00	NUT, NOZZLE	1
NS	25-34216-00	GASKET, INJECTOR	1
NS	25-39147-00	SEAL, HEAT	1
NS	29-70153-00	WASHER ADJUSTING (ASSORTED SIZE)	A/R

CT4-91

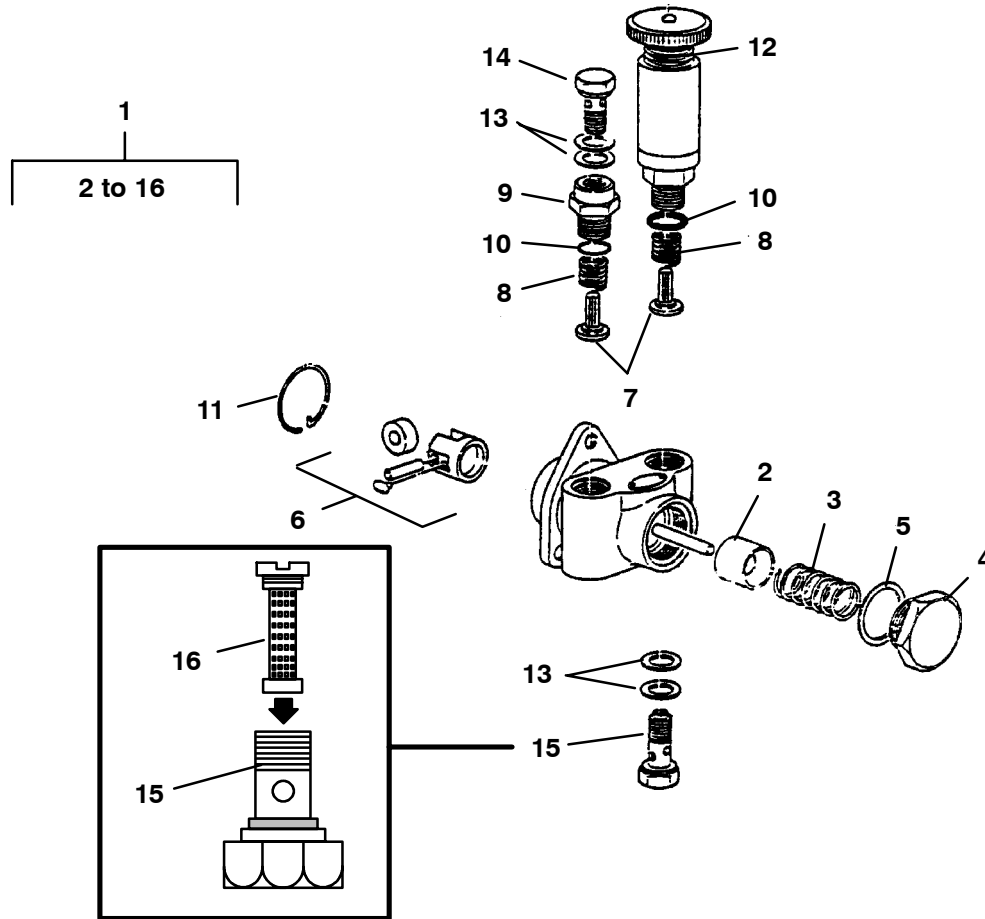
25. FUEL PUMP



ITEM	PART NO.	DESCRIPTION	QTY
1	25-15016-00	HOUSING, LIFT PUMP TO BLOCK	1
2	25-15029-00	O-RING	1
3	25-37660-00	BOLT	1
4	25-38718-00	BOLT	1
5	25-15017-00	CAMSHAFT, LIFT PUMP	1
6	-	PUMP ASSY, FUEL LIFT - REFER TO SECTION 26.	1
7	25-38667-00	O-RING	1
8	25-36715-00	STUD	3
9	25-35684-00	NUT	3
10	25-35686-00	WASHER, SPRING	3
11	25-38670-00	BANJO, FITTING	2
12	25-15158-00	PIPE, OIL FEED	1
13	25-15027-00	ADAPTER, OIL FITTING	1
14	25-38670-00	BOLT, BANJO	1
15	25-35136-05	COPPER O-RING	4
16	25-15068-00	BEARING	1
17	25-15069-00	BEARING	1
18	25-15030-00	CIR-CLIP	1
19	25-38052-00	BOLT	1
20	25-15028-00	GASKET	1

CT4-91

26. FUEL PUMP (COMPONENT PARTS)



ITEM	PART NO.	DESCRIPTION	QTY
1	25-38666-00	PUMP ASSY, FUEL LIFT - INCLUDES:	1
2	25-38666-01	PISTON, FUEL PUMP	1
3	25-38666-02	SPRING, FUEL PUMP	1
4	25-38666-03	PLUG, FUEL PUMP	1
5	25-38666-04	GASKET, COPPER O-RING	1
6	25-38666-05	TAPPET ASSEMBLY	1
7	29-50052-50	VALVE, FUEL PUMP	2
8	25-38666-07	SPRING, PUMP VALVE	2
9	25-38666-08	ADAPTER	1
10	25-38666-09	O-RING	2
11	25-38666-10	CIR-CLIP	1
12	25-38666-11	PUMP, HAND PRIMING	1
13	25-38666-13	GASKET, COPPER O-RING	4
14	25-38666-14	BOLT, BANJO	1
15	25-38666-12	BOLT, EYE JOINT - INCLUDES:	1
16	25-38666-16	FILTER (BRASS)	1

CT4-91

27. GASKET SET

NOTE: REFER TO APPROPRIATE GROUP FOR ILLUSTRATION

GROUP	ITEM	PART NO.	DESCRIPTION	QTY
NS	NS	25-15015-00	GASKET SET - INCLUDES:	1
1.	21	25-35032-00	O-RING, BLUE	1
2.	2	25-15081-00	GASKET, OIL PAN	1
2.	10	25-39032-00	O-RING	1
2.	14	25-36052-00	GASKET, OIL FILL TUBE	1
3.	12	25-15043-00	GASKET, GEAR CASE	1
3.	23	25-15047-00	O-RING, GEAR CASE TO BLOCK	1
3.	24	25-37142-00	O-RING, GEAR CASE TO BLOCK	1
4.	2	25-15075-00	GASKET, VALVE COVER	1
4.	11	25-37310-00	O-RING, OIL FILL CAP	1
5.	12	NSS	GASKET, CYLINDER HEAD	1
6.	9	25-15188-00	GASKET, COVER	1
7.	4	25-15203-00	O-RING, SPEED LEVER	1
7.	13	25-15213-00	GASKET, SPEED CONTROL PLATE	1
8.	7	25-15087-00	GASKET, BEARING CASE	1
8.	10	25-15096-00	GASKET, BEARING CASE COVER	1
10.	7	25-15465-00	SEAL, VALVE STEM	1
13.	11	944233	GASKET, COVER	1
16.	2	25-15426-00	GASKET, WATER PUMP	1
18.	13	29-70219-00	GASKET, COVER	1
19.	17	25-15154-00	O-RING, CRANKSHAFT	1
17.	3	25-15410-00	GASKET, THERMOSTAT HOUSING	1
17.	13	25-36676-00	GASKET, THERMOSTAT COVER	1
20.	3	25-15503-00	GASKET, INTAKE MANIFOLD	1
20.	9	25-15491-00	GASKET, EXHAUST MANIFOLD	1
20.	10	25-15494-00	GASKET, MUFFLER	1
23.	2	25-15231-00	GASKET, STOP SOLENOID	1